

UHCT Roof Transition

Roof transition for UHC combi hood.

UHCT is easily adapted for required roof incline by angle brackets.

- Manufactured of Magnelis®, zinc-magnesium coated steel sheet
- Can be ordered made of special materials
- As standard, inner shell made of absorption material Cleantec® mineral wool with washable surface layer
- Standard height 1200 mm



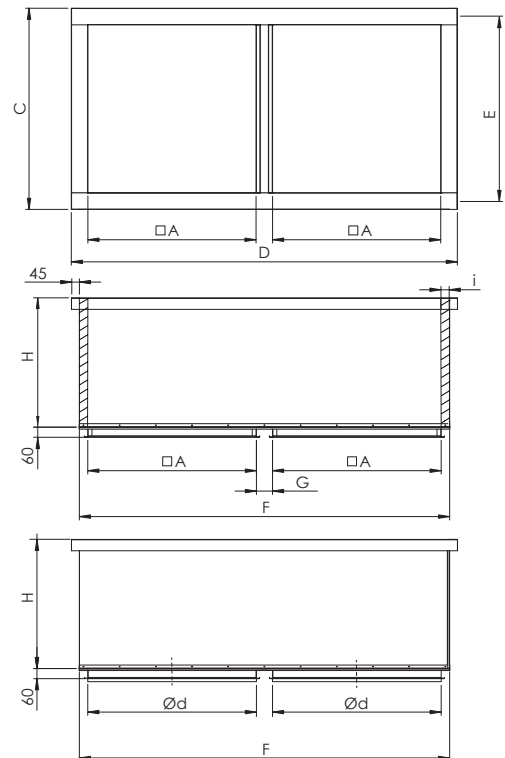
Material and Dimensions

As standard manufactured of Magnelis®, zinc-magnesium coated sheet steel (ZM310) and insulated with 50 mm mineral wool with washable surface layer (Cleantec®), without inner shell.

Possible to produce with 100 mm fire insulation mineral wool (compliance to EI60-EI 120 class) and non-perforated sheet steel inner shell. Used fire insulation meets the testing methods requirements according to EN1366-1 and is VTT certified. Fire insulation strengths in accordance with EN-13501-1.

Standard height 1200 mm (also 800, 1000, 1500 mm). For installation through sloping roofs the roof transition comes as standard with two installation brackets (100x100x1,2 L=E+400).

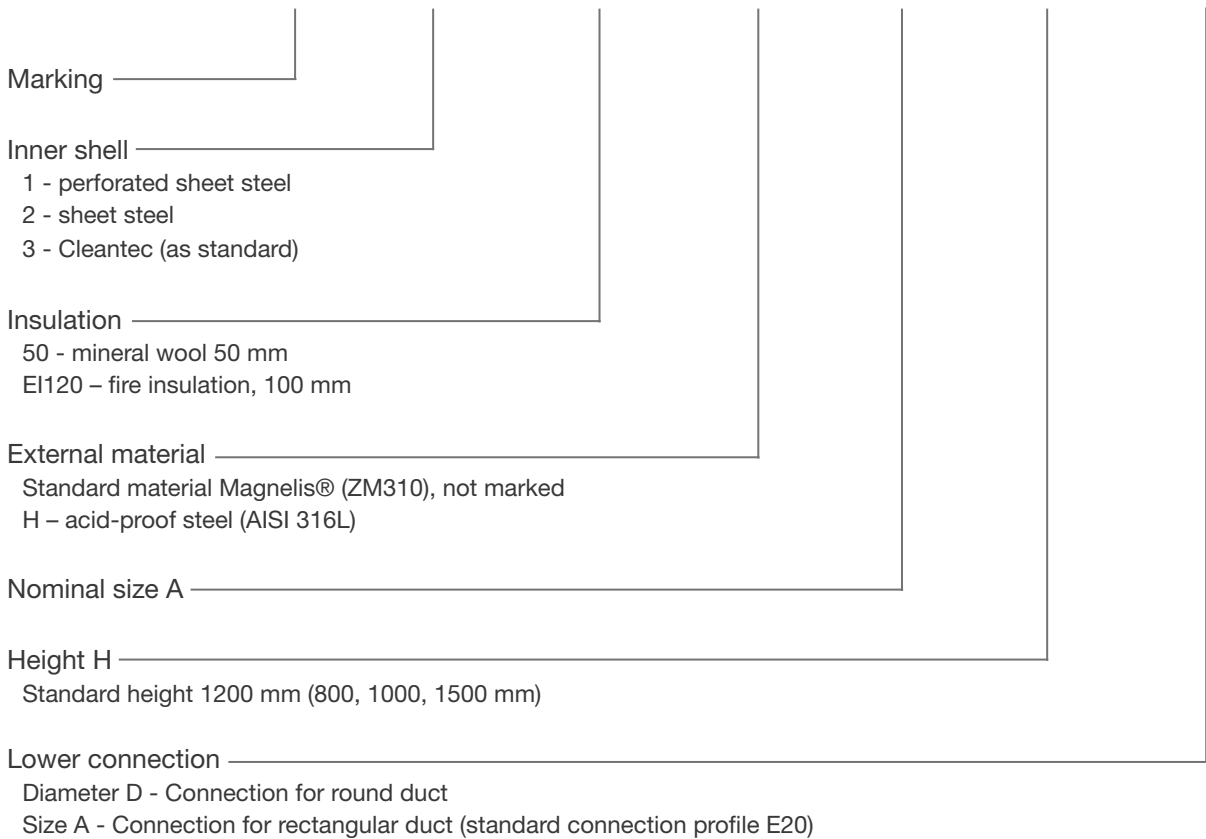
The roof transition is delivered as standard with E20 profile (for connection with a rectangular duct).



UHCT Nominal size A (mm)	Insulation i=50 mm		Insulation i=100 mm		C (mm)	D (mm)	E (mm)	F (mm)	Weight (i=50 mm) (kg)
	A (mm)	G (mm)	A (mm)	G (mm)					
200	200	95	-	-	390	690	300	600	42
300	300	95	200	195	490	890	400	800	55
400	400	95	300	195	590	1090	500	1000	67
500	500	95	400	195	690	1290	600	1200	79
600	600	95	500	195	790	1490	700	1400	92
700	700	95	600	195	890	1690	800	1600	106
800	800	95	700	195	990	1890	900	1800	117
900	900	95	800	195	1090	2090	1000	2000	129
1000	1000	95	900	195	1190	2290	1100	2200	152

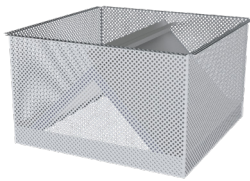
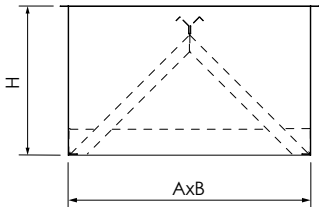
Product Marking

UHCT - 1 - 50 - H A - H - D=X



Example: UHCT-1-50 400-1000
 UHCT-2-100 600-800

Accessories

MKLK Non-return damper (top-mounted)	Nominal size AxB (mm)	AxB (mm)	H (mm)	Weight (kg)
 	200x200	190x190	150	1,3
	300x300	290x290	225	2,6
	400x400	390x390	290	4,2
	500x500	490x490	355	5,6
	600x600	590x590	430	8,5
	700x700	690x690	500	11,1
	800x800	790x790	565	14,1
	900x900	890x890	640	17,6
	1000x1000	990x990	700	21,5
	1100x1100	1090x1090	785	25,6
	1200x1200	1190x1190	850	30,1
	1300x1300	1290x1290	920	34,9
	1400x1400	1390x1390	990	40,1
	1500x1500	1490x1490	1065	45,8
	1600x1600	1590x1590	1135	51,8