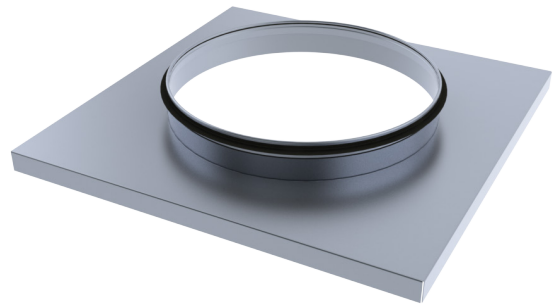


MKLV Round Coupling with Rain-Plate

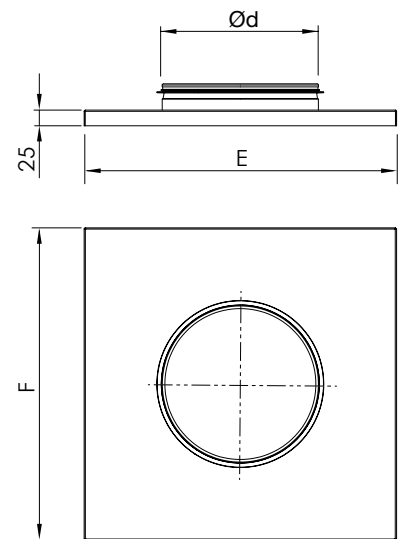
MKLV is a round coupling for connecting a roof transition with a roof hood.

The edge of the fitting is bent down 25 mm.

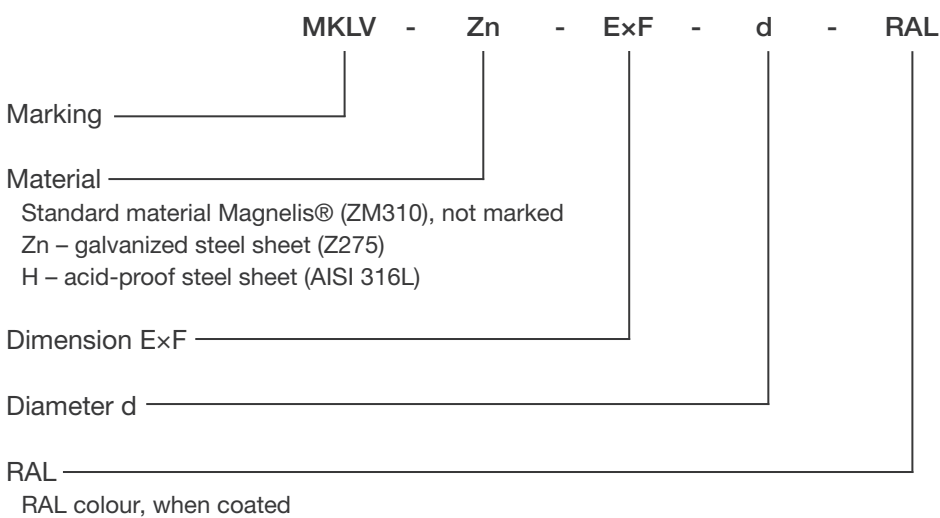
The MKLV fitting is manufactured of Magnelis® (zinc-magnesium coated steel sheet, ZM310) as standard and round connection is equipped with EPDM seal.



| Nominal size ExF/d (mm) | d (mm) | E/F (mm) | Weight (kg) |
|----------------------------|-----------|-------------|----------------|
| 400x400/100 | 100 | 400 | 1,2 |
| 400x400/100 | 125 | 400 | 1,2 |
| 400x400/100 | 160 | 400 | 1,2 |
| 400x400/100 | 200 | 400 | 1,2 |
| 500x500/250 | 250 | 500 | 1,8 |
| 600x600/315 | 315 | 600 | 3,0 |
| 600x600/400 | 400 | 600 | 3,0 |
| 700x700/400 | 400 | 700 | 3,6 |
| 800x800/500 | 500 | 800 | 4,9 |
| 900x900/630 | 630 | 900 | 5,7 |
| 1000x1000/800 | 800 | 1000 | 6,3 |
| 1100x1100/800 | 800 | 1100 | 8,0 |
| 1200x1200/1000 | 1000 | 1200 | 8,9 |
| 1300x1300/1000 | 1000 | 1300 | 10,9 |
| 1400x1400/1250 | 1250 | 1400 | 10,2 |
| 1500x1500/1250 | 1250 | 1500 | 12,6 |
| 1600x1600/1250 | 1250 | 1600 | 13,5 |
| 1700x1700/1250 | 1250 | 1700 | 14,2 |
| 1800x1800/1600 | 1600 | 1800 | 14,9 |



Product Marking



Example: MKLV 500x500/315