

## RVKS Non-return damper

RVKS is a non-return damper for installation into ductwork.

### Features:

- Prevents air backflow
- Protects ventilations systems from rainwater
- Easy to install
- RVKS can be installed into horizontal or vertical duct system

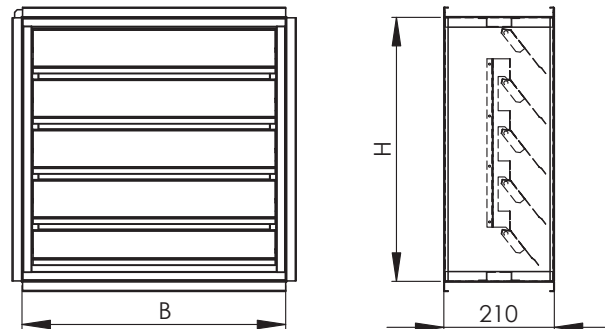


### Application

RVKS is an non-return damper for rectangular ducts and can be installed into the ventilation ductsystem horizontally or vertically With a round duct connection can also be used in round duct systems. With air flow in the system, the louvre opens in the direction of the flow.

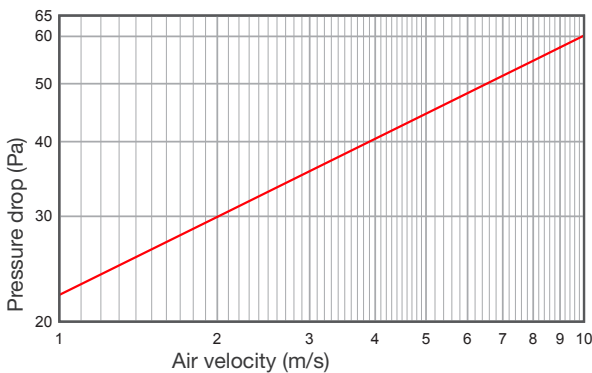
### Structure and dimensions

RVKS are constructed of two parts: a frame and a removable louvre. The frame is manufactured of galvanized steel and the louvre blades of aluminium. Standard sizes every 100 mm. Minimum size 200x200 mm and maximum 800x1200 mm. Larger louvres are manufactured in modules.

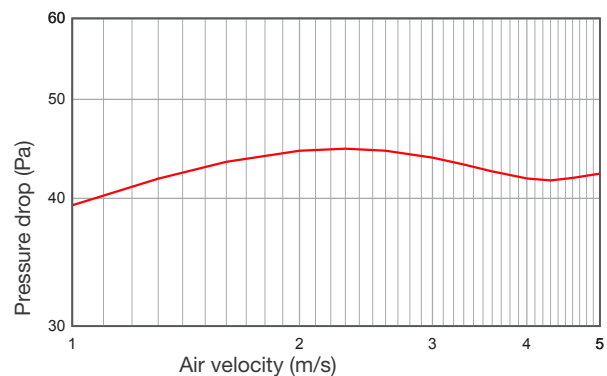


### Technical data

RVKS pressure drop in horizontal duct



RVKS pressure drop in vertical duct



Recommended air velocity in ventilation duct is up to 5 m/s.

**Product codes**

**RVKS - H - B x H**

Marking

RVKS - Non-return damper

Material

Galvanized steel (DX51D+Z275), standard material (not marked)

H - acid-proof steel (AISI 316L)

ZM - Magnelis®, zinc-magnesium coated steel (ZM310)

Width x Height

**Example: RVKS 1200x1000**