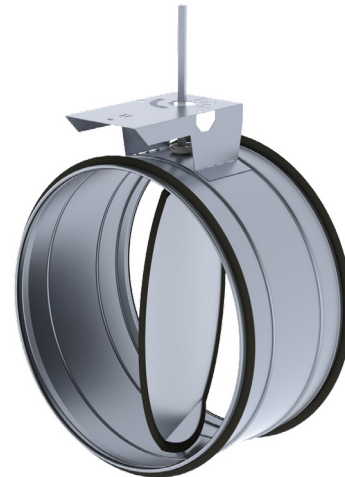


KRTS-4 Shut-off and regulating damper

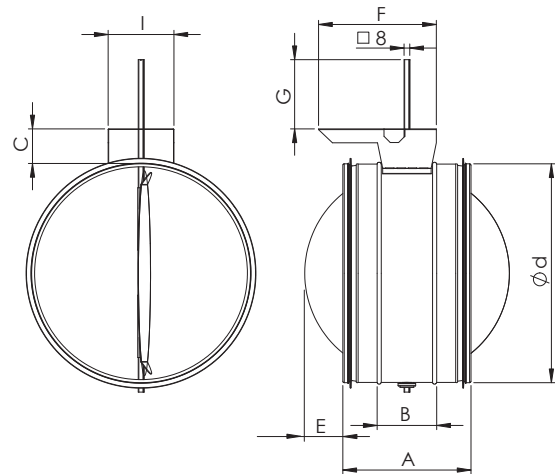
Dampers for shut-off and regulating of air flow in round duct systems.

KRTS-4 sealed version. Casing tightness class C and shut-off tightness class 4 (standard EN 1751:2014).



Structure and dimensions

Manufactured of galvanized steel. Equipped with rubber gaskets. Can also be manufactured of other materials. For automatic regulation of air flow, various motors can be used. For manual regulation, a handle can be installed. See: Accessories.



Nimimõõt d (mm)	A (mm)	B (mm)	C (mm)	E (mm)	F (mm)	I (mm)	G (mm)	Weight (kg)	Recommended actuator	
									Without spring	Spring return
100	155	95	31	-	180	95	100	0,6	CM24-R/CM230-R	TF24/TF230
125	155	95	38	-	180	95	100	0,7	CM24-R/CM230-R	TF24/TF230
160	155	95	43	-	180	95	100	0,9	CM24-R/CM230-R	TF24/TF230
200	155	95	46	15	180	95	116	1,1	CM24-R/CM230-R	TF24/TF230
250	215	120	23	10	225	130	113	1,6	LM24A/LM230A	LF24/LF230
315	215	120	31	43	225	130	110	2,1	LM24A/LM230A	LF24/LF230
400	215	120	36	85	225	130	109	3,2	LM24A/LM230A	LF24/LF230
500	255	130	40	115	225	130	108	4,7	NM24A/NM230A	NF24A/NF230A/NFA
630	255	130	43	180	225	130	107	6,3	NM24A/NM230A	NF24A/NF230A/NFA

NB! Damper weights do not include the weight of actuators

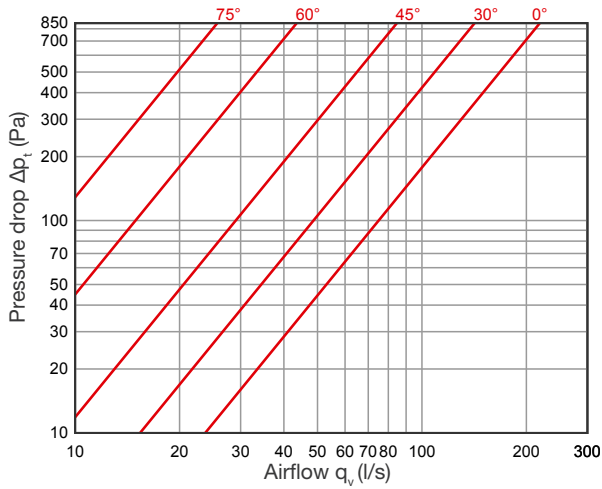
Belimo actuators: consider surface area of the blade, structure, installation and air flow. N.B. Belimo actuators manuals: www.belimo.com.

	Without spring			Spring return		
	CM-R	LM...A	NM...A	TF	LF	NF...A
Torque	2 Nm	5 Nm	10 Nm	2,5 Nm	4 Nm	10 Nm
Weight	0,22 kg	0,65 kg	0,75 kg	0,69 kg	1,5 kg	2,1 kg

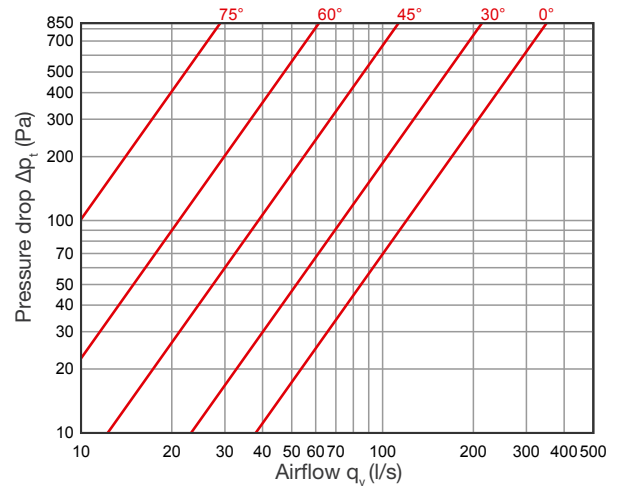
Technical data

KRTS-4, shut-off tightness class 4

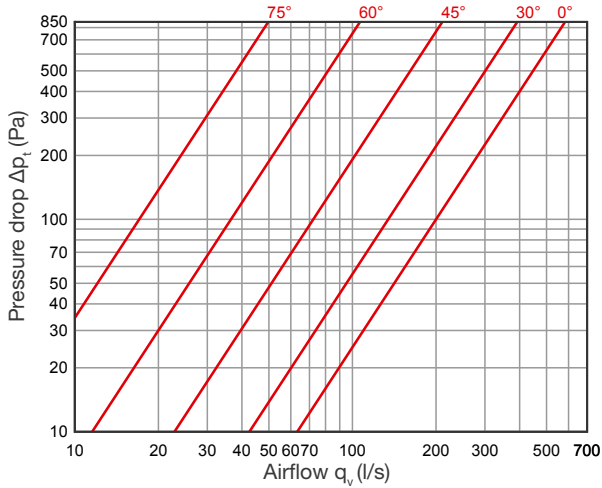
KRTS-4 100



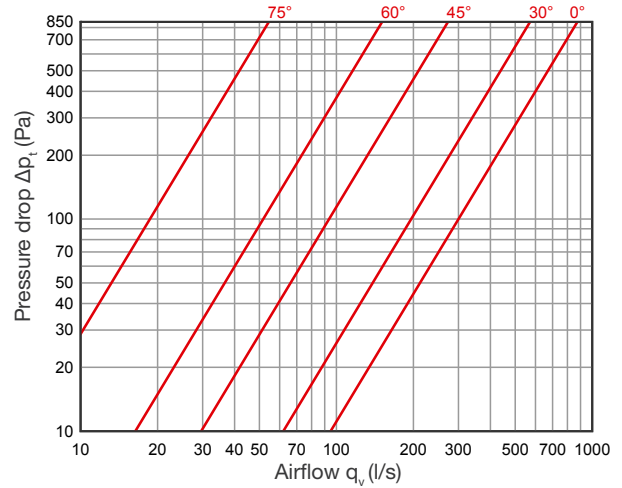
KRTS-4 125



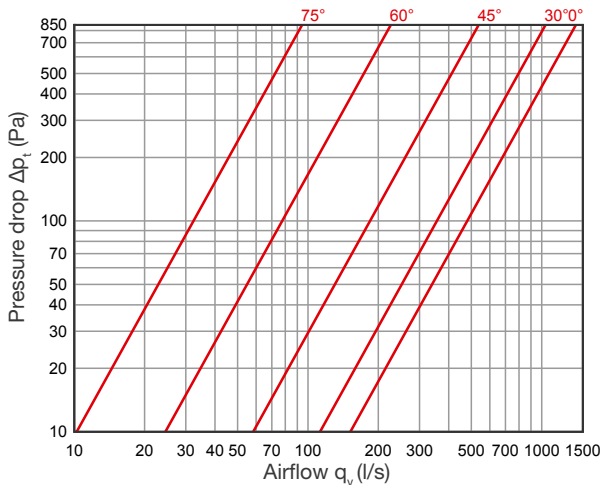
KRTS-4 160



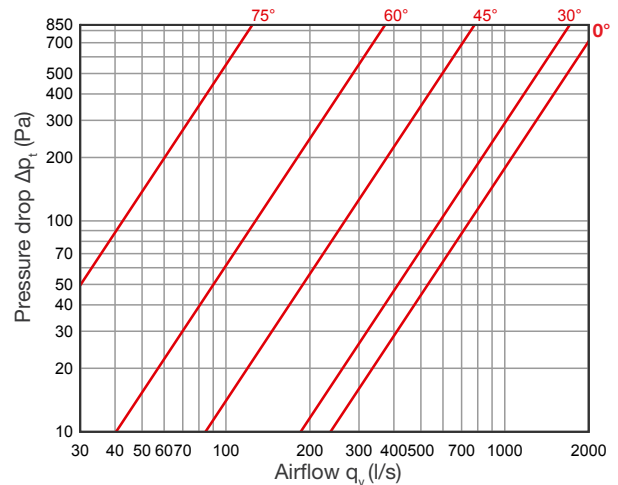
KRTS-4 200



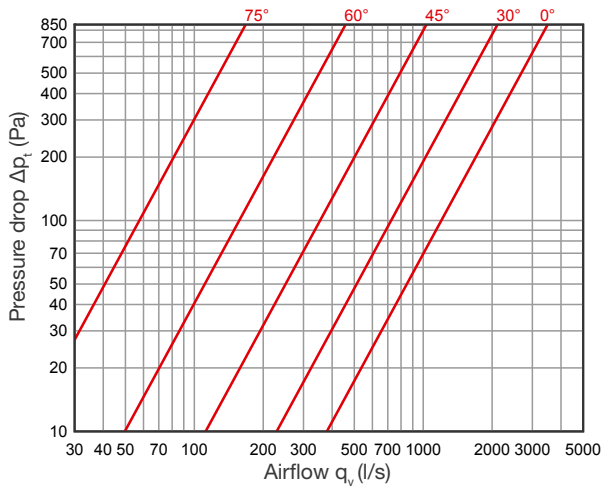
KRTS-4 250



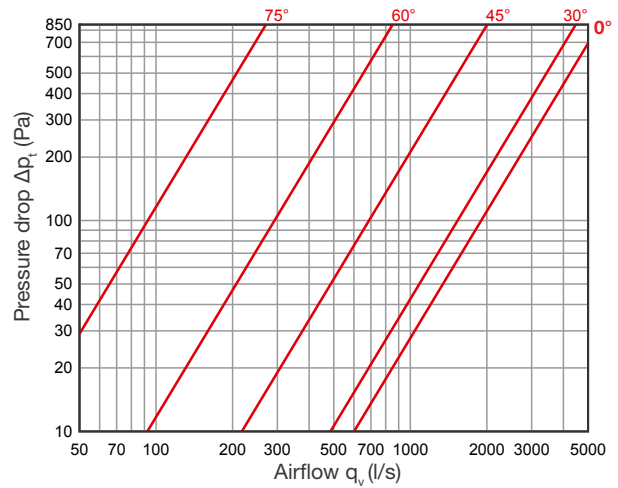
KRTS-4 315



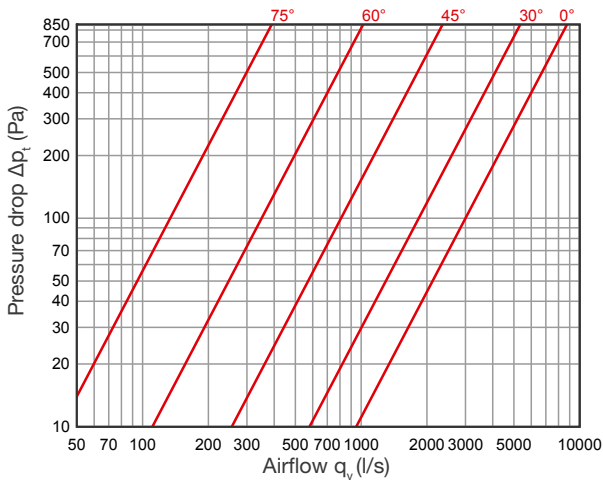
KRTS-4 400



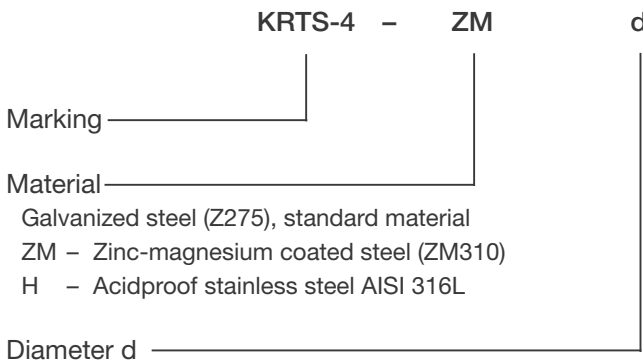
KRTS-4 500



KRTS-4 630



Product marking



Example: KRTS-4 315

Accessories

Handle: for models KRTS-4.

Installation

Installation according to NORDduct installation instructions. For electric installations, see: www.belimo.com.