

KRK Regulating damper

KRK dampers with rectangular blades are intended for use in the kitchen ventilation system to regulate airflow.

KRK dampers are made of hot-dip galvanized steel and do not include plastic components in their construction.



Construction

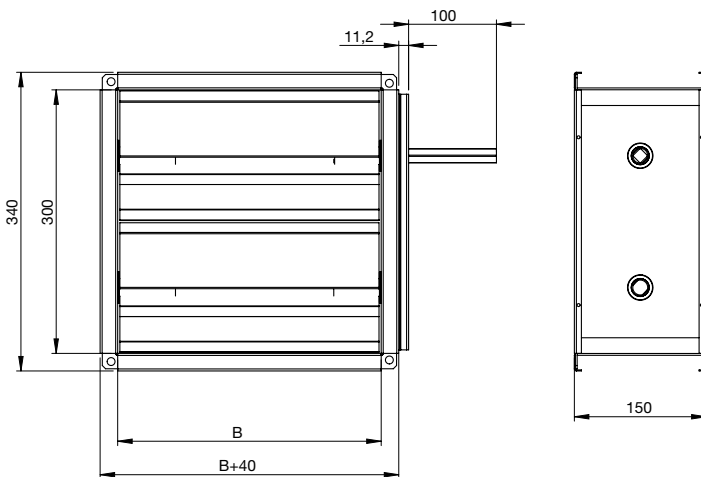
KRK dampers are standardly made of hot-dip galvanized steel, damper body thickness 1,2 mm.

It is also possible to choose acid-resistant (AISI 316L) or zinc-magnesium-coated (ZM310) steel.

The dampers feature two horizontal blades that rotate in the housing on bronze bearings. Dampers are equipped with a motor base. The motor lever is made of 12×12 mm solid square material. The connection profile is suitable for connecting to Z-profile and E20 euro profile. The casing of KRK type dampers complies with tightness class C requirements (EN 1751:2014).

Measurements



KRK damper with Z/E20 connection



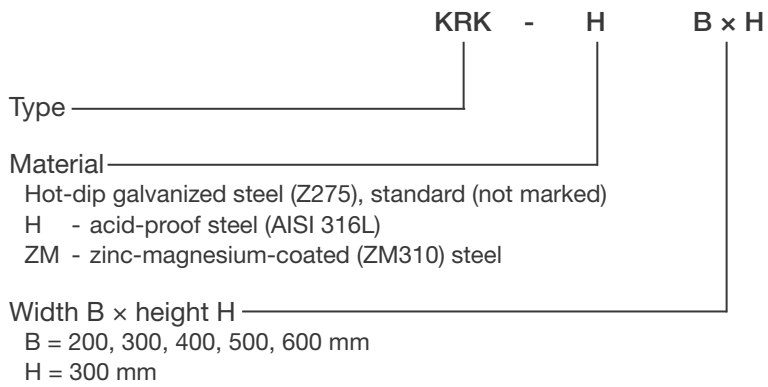
Width B	200, ... , 600 mm (step 100 mm)
Height H	300 mm

Actuator selection

When choosing an actuator, the cross-sectional area of the damper, the width-to-height ratio, the installation conditions and the functions intended for the actuator must be taken into account. NB! There are separate instructions for the actuators (www.belimo.com).

		24V	230V	Torque (Nm)
Spring return		NFA 24-240V 2,0 kg		10
Without spring		NM 24A 0,72 kg	NM 230A 0,72 kg	10

Product marking



Example: KRK-H 400x300
KRK 200x300