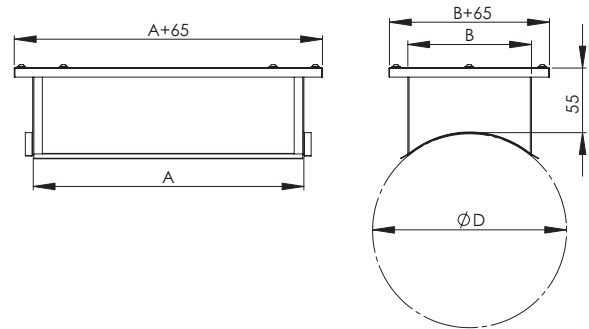
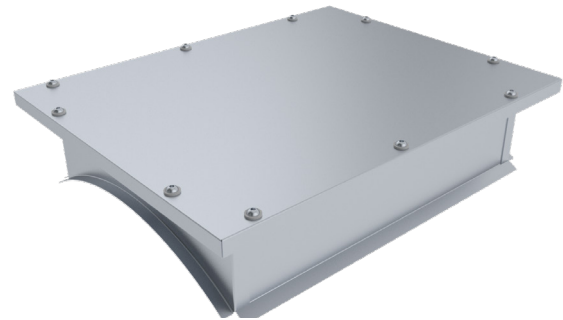


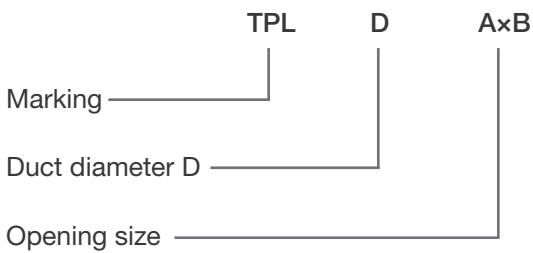
TPL Maintenance Door for Round Duct

Maintenance door for round duct (Ø 100-1250 mm).
 Maintenance doors meet requirements for tightness class C (EVS-EN 12237:2003).

Nominal size ØD (mm)	A (mm)	B (mm)
100	200	100
125	200	100
160	200	100
200	200	100
250	200	100
315	200	100
400	300	200
500	300	200
630	400	300
800	400	300
1000	400	300
1250	400	300



Product Marking



Example: TPL 315