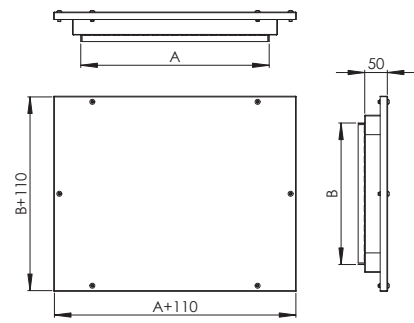
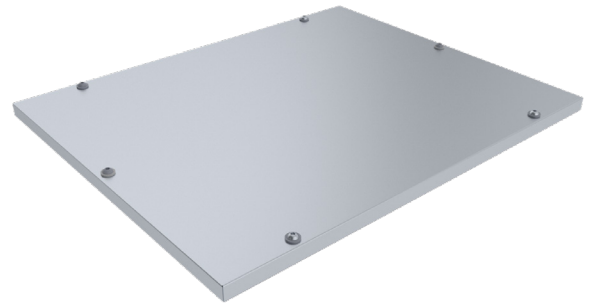


TLT Maintenance Door for Flat Surface

Maintenance door for rectangular duct and flat surfaces.
 Maintenance doors meet tightness class B requirements (EVS-EN 12237:2003).

Opening size (mm)	
a	b
300	100
400	200
400	300
500	400
600	500



Product Marking



Example: TLT 400x200