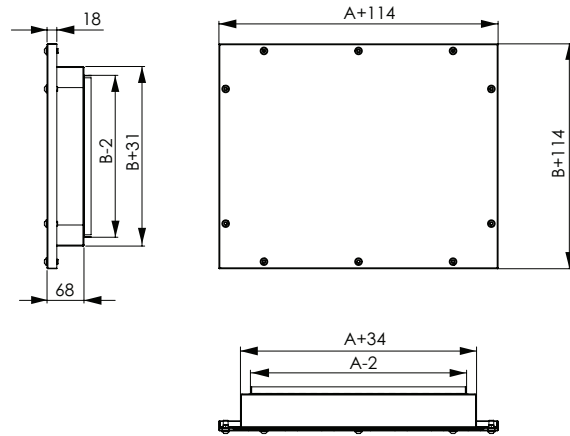
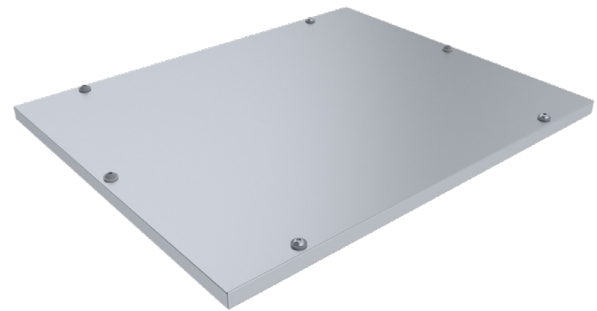


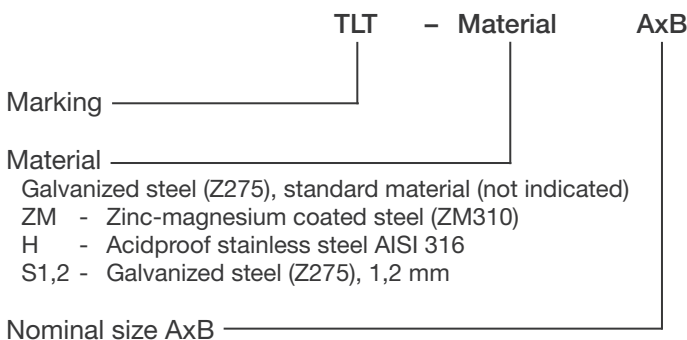
**TLT Maintenance Door for Flat Surface**

Maintenance door for rectangular duct and flat surfaces.  
 Maintenance doors meet tightness class B requirements (EN 12237:2003).

Nominal size (mm)	
A	B
200	100
200	200
300	100
300	200
300	300
400	200
400	300
400	400
500	300
500	400
500	500
600	200
600	300
600	400
600	500
600	600
700	700
800	600
800	800



**Product Marking**



**Example:** TLT 400x200  
 TLT-H 400x200  
 TLT-S1,2 400x200