

TLTU Maintenance Door

Maintenance door for duct and chamber.

Features:

- Suitable for insulated duct and chamber
- Meets tightness class C requirements
- Adjustable quick releases
- Also sound, heat and fire insulated
- Easy and fast installation
- Back-folded edges



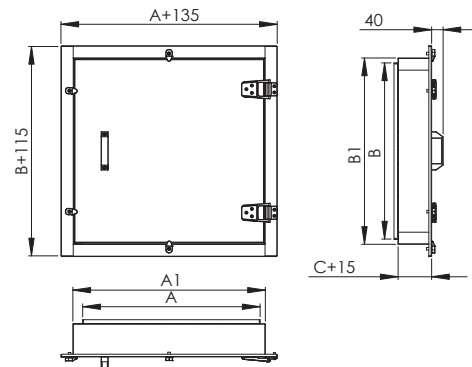
Application

Designed for facilitating inspection and cleaning of duct systems.

Material and Dimensions

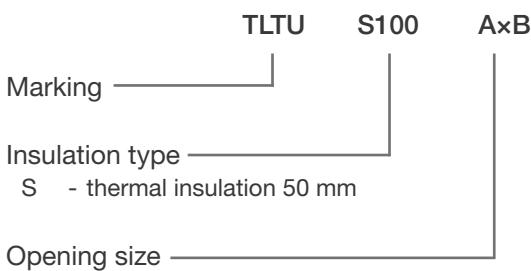
TLTU is manufactured of galvanized steel sheet. Also available in other materials. Frame equipped with inner and outer gasket. Used fire insulation meets the testing methods requirements according to EN 1366-1. Fire insulation strengths in accordance with EN 13501-1.

Nominal size AxB (mm)	A1 (mm)	B1 (mm)	Hinges
TLTU 300x200	353	233	2
TLTU 400x200	453	233	2
TLTU 400x300	453	333	2
TLTU 400x400	453	433	2
TLTU 500x400	553	433	2
TLTU 500x500	553	533	2
TLTU 600x500	653	533	2
TLTU 600x600	653	633	2



Product Marking

TLTU maintenance door is manufactured according to nominal measurements of the door.



Example: TLTU S100 1000x1000