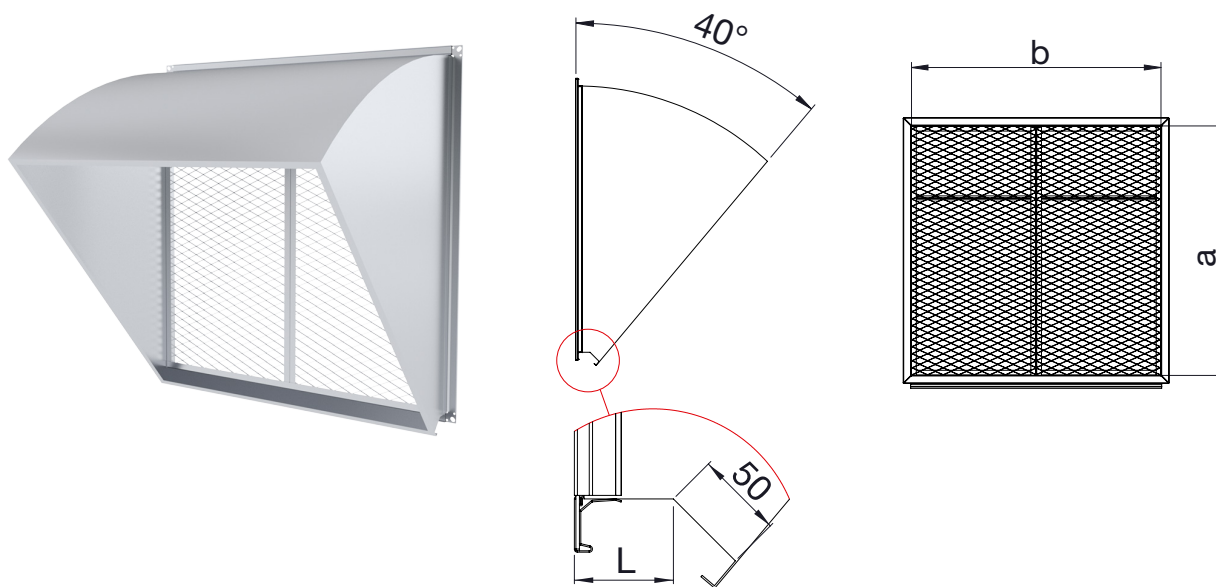


EVR-T Air intake with mesh



EVR-T diagonal air intake with mesh for supply and exhaust duct.

Dimensions a, b are nominal sizes.

Size L = 50 - 300 mm, unless otherwise stated on the order, it is manufactured with a size of 50 mm.

Product codes

	EVR-T	Material	a x b
Marking			
Material		Galvanized steel (DX51D+Z275), standard material ZM – zinc-magnesium coating (DX51D+ZM310)	
Side a x side b			

Example: EVR-T 800x400/L=100 E30