

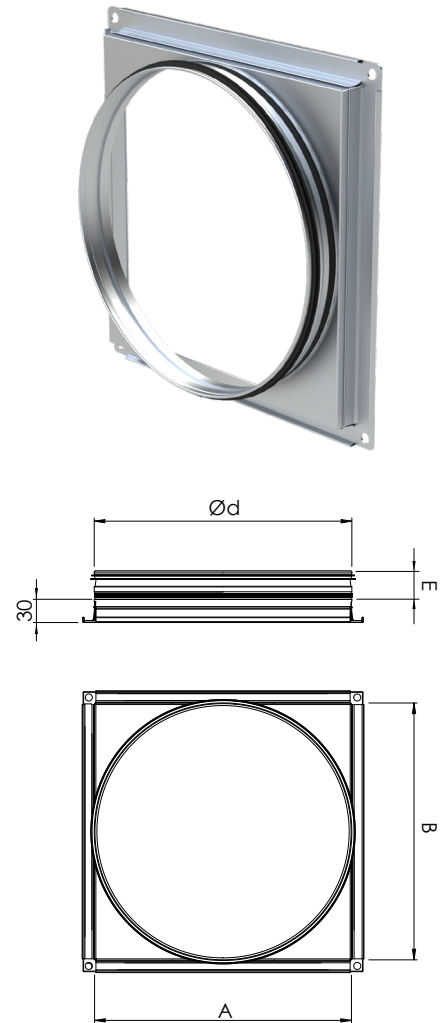
**ESR-T Round coupling for smoke damper**

ESR-T is a rectangular coupling for connecting a smoke control damper to a round duct.

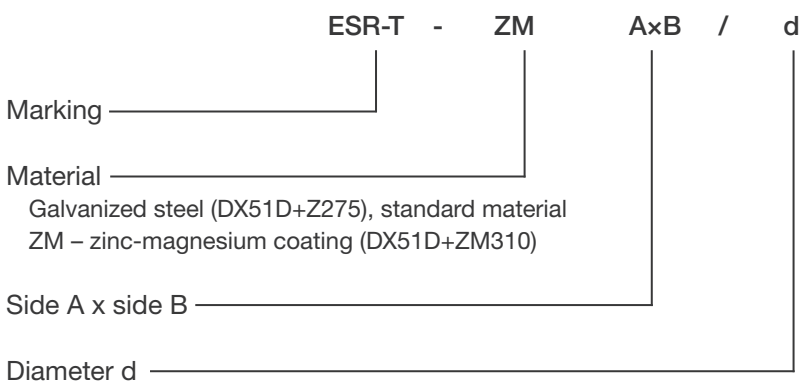
For connecting the coupling is equipped with an E30 profile.

The ESR-T coupling is manufactured from galvanized steel sheet (Z275), and the duct connection is equipped with an EPDM seal and a promaseal tape.

Size AxB/d (mm)	A (mm)	B (mm)	d (mm)	E (mm)	Weight (kg)
200x200/100	200	200	100	40	1,05
200x200/125	200	200	125	40	1,04
200x200/160	200	200	160	40	1,01
200x200/200	200	200	200	40	0,97
250x250/250	250	250	250	43	1,23
315x315/315	315	315	315	43	1,74
400x400/400	400	400	400	55	2,3
500x500/500	500	500	500	55	2,9
700x700/630	700	700	630	55	4,8
800x800/800	800	800	800	80	5,4
1000x1000/1000	1000	1000	1000	97	8,0
1200x1200/1000	1200	1200	1000	97	11,8



**Product codes**



**Example:**      ESR-T 400x400-400  
                     ESR-T-ZM 400x400/400