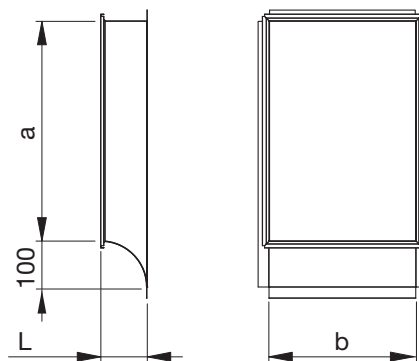
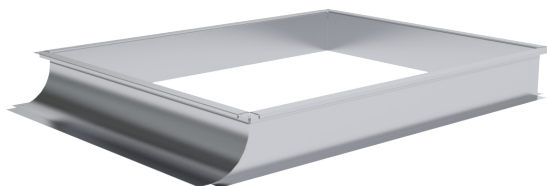


ESK-T Saddle

Flat saddle for a rectangular duct. One edge of the saddle is provided with a connection bar and the other edge is bent. Standard length is 125 mm.

For connection the saddle is provided with E30-profile.



Product codes

	ESK-T	Material	a x b	L
Marking				
Material		Galvanized steel (DX51D+Z275), standard material ZM – zinc-magnesium coating (DX51D+ZM310)		
Nominal size a x b				
Length L				

Example: ESK-T 800x400 E30