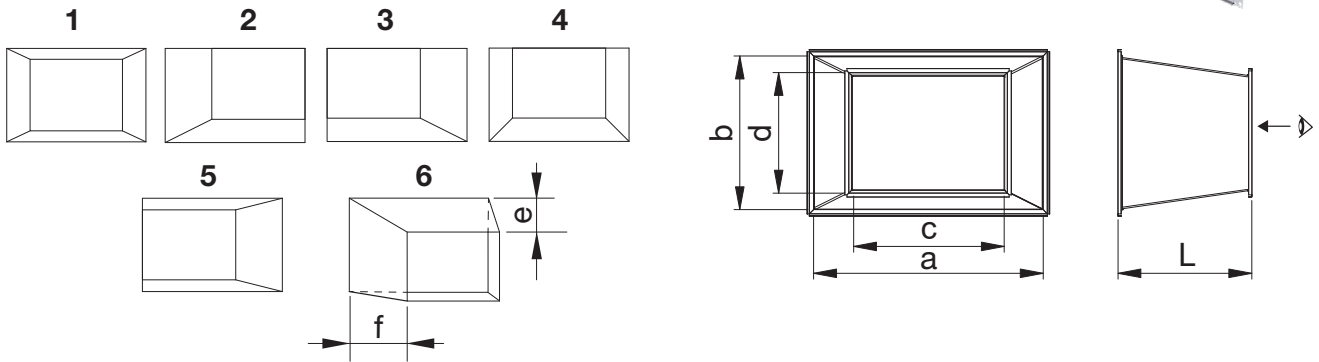


EKK-T Reducer

Reducers are used to connect ducts of different sizes.
 When a and b < 800, then l = 300 mm
 When a or b ≥ 800, then l = 500 mm
 For connection the reducer is provided with flanges height 30 mm.



Location



Product codes

	EKK-T	Material	a x b	c x d	L	Location
Marking	_____	_____	_____	_____	_____	_____
Material	Galvanized steel (DX51D+Z275), standard material ZM – zinc-magnesium coating (DX51D+ZM310)					
Width a x Height b	_____					
Width c x Height d	_____					
Length	_____					
Location	_____					

Example: EKK-T 800x400/400x200-1/L=500 E30/E30

Marking location 6: EKK-T 800x400/400x200-6/E=100/F=50/L=500 E30/E30