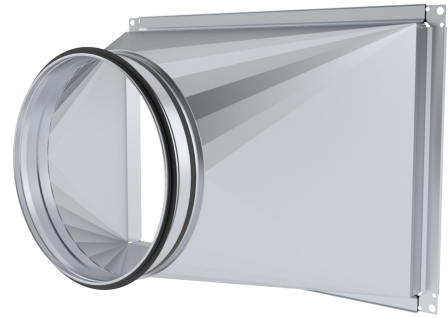
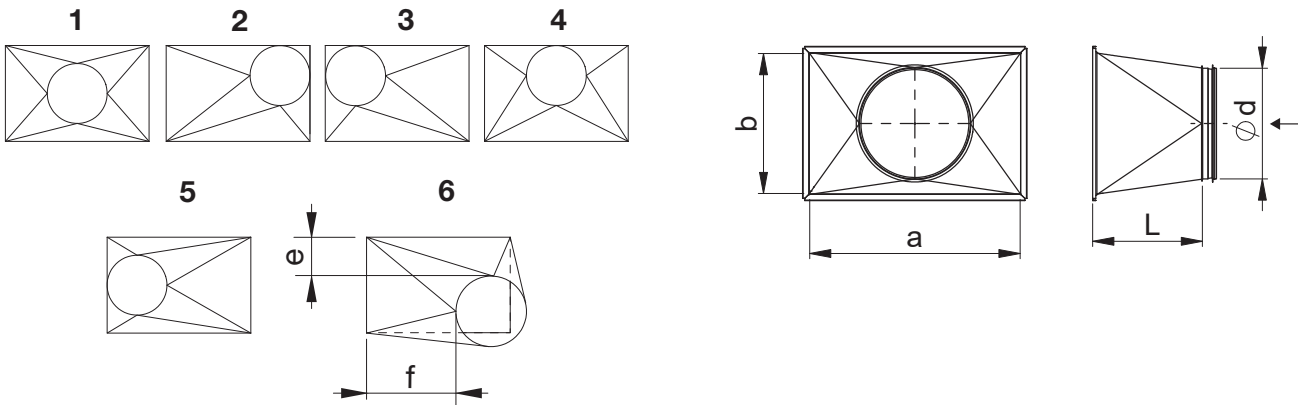


**EKD-T Reducer to circular duct**

Used to connect rectangular and circular ducts.  
 When a and b < 800, then l = 300 mm  
 When a or b ≥ 800, then l = 500 mm  
 For connection the reducer rectangular end is provided with E30-profile.



**Location**



**Product codes**

	EKK-T	Material	a x b	d	L	Location
Marking	_____					
Material	_____					
Galvanized steel (DX51D+Z275), standard material ZM – zinc-magnesium coating (DX51D+ZM310)						
Width a x Height b	_____					
Diameter D	_____					
Length L	_____					
Location	_____					

Example: EKD-T 800x400/315-1/L=500 E30

Marking location 6: EKD-T-ZM 800x400/315-6/E=0/F=0/L=500 E30