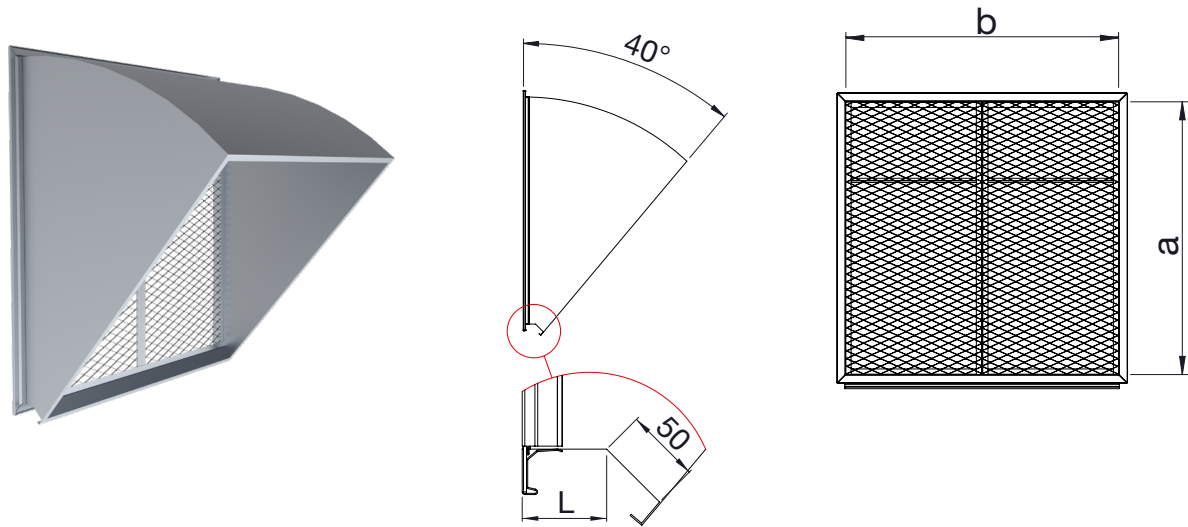


EVR Air intake with mesh



EVR is a diagonal air intake with mesh is suitable for use at the end of both the supply and exhaust duct. Dimensions a, b (≤ 2500) are nominal sizes. Size L = 50 - 300 mm, unless otherwise stated on the order, it is manufactured with a size of 50 mm.

Product codes

	EVR	Material	a × b	L	Z
Product	_____	_____	_____	_____	_____
Material	_____	_____	_____	_____	_____
		Galvanized steel (DX51D+Z275), standard material ZM – Zinc-magnesium coated steel (DX51D+ZM310) H – Acidproof stainless steel AISI 316			
Dimensions a × b	_____	_____	_____	_____	_____
Length L	_____	_____	_____	_____	_____
Duct connection	_____	_____	_____	_____	_____

Example: EVR-ZM 800×400/L=100 Z