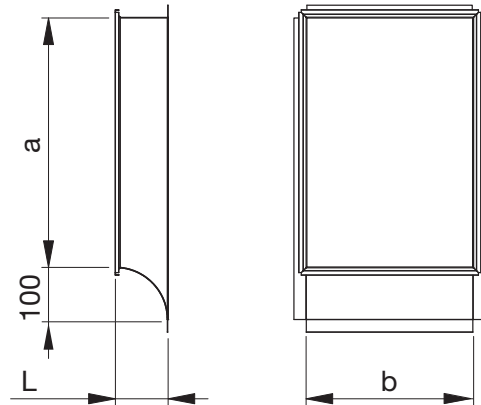


**ESK Saddle**



Flat saddle for a rectangular duct. One edge of the saddle is provided with a connection bar and larger end with flange for riveting into duct side. Standard length is 125 mm.

**Product codes**

	<b>ESK</b>	-	<b>Material</b>	-	<b>a x b</b>	-	<b>125</b>	-	<b>Z</b>
Product	_____		_____		_____		_____		_____
Material	_____		_____		_____		_____		_____
			Galvanized steel (DX51D+Z275), standard material ZM – Zinc-magnesium coated steel (DX51D+ZM310) H – Acidproof stainless steel AISI 316						
Dimensions a x b	_____		_____		_____		_____		_____
Length L	_____		_____		_____		_____		_____
Duct connection	_____		_____		_____		_____		_____

Example: ESK-ZM 800x400/L=200 Z