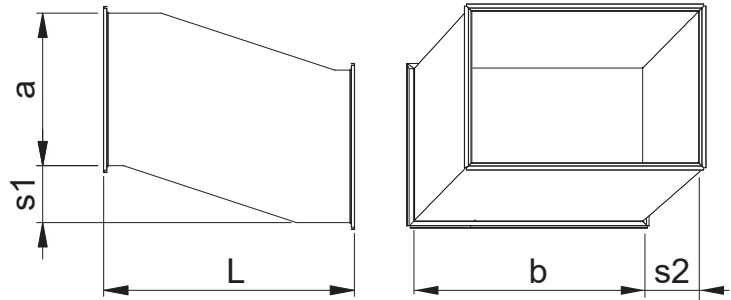
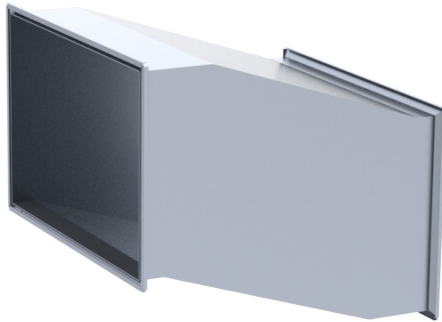


EKN Offset

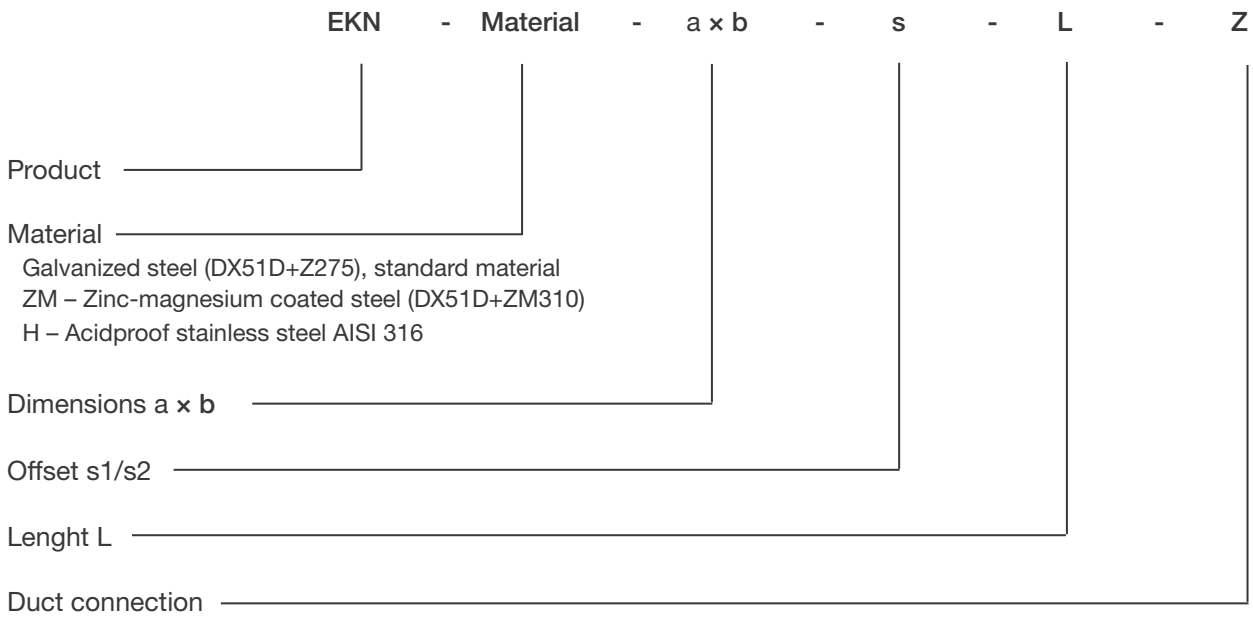


Offset is used for setting the ventilation system offset horizontally or vertically. The length of the offset depends on its size. The measures given in the table should be preferred, since ratio measures between height a, offset s and length l are important. Otherwise too sudden a drop may limit air flow movement.

a	b	s	l
100	200	50,100	300
	300		
	400		
	400		
150	200	50,100,150	350
	300		
	400		
	500		
	500		
200	100	50,100	300
	150		
	300		
	400	150, 200	400
	500		
	600		
300	100	50,100	400
	150		
	200		
	300		
	400	150, 200, 250, 300	500
	500		
	600		
	800		
400	100	50, 100	400
	150		
	200	150, 200	500
	300		
	400		
	500	250, 300, 350, 400	600
	600		
	800		
1000			

a	b	s	l		
500	150	50,100,150	500		
	200				
	300	200, 250	600		
	400				
	600				
600	800	300, 350, 400, 450, 500	700		
	1000				
	200			50, 100, 150	500
	300				
	400			200, 250	650
	500				
800	300, 350	700			
1000					
800	300	400, 450, 500, 550, 600	800		
	400				
	500				
	600				
	1000				
	300			50,100	500
	400				
	500			150	600
600					
1000	200, 250	700			
600					
800	300, 350	800			
1000					
1000	400	400, 450, 500	900		
	500				
	600				
	800				
	400			50, 100	550
	500				
600	150, 200	700			
800					
800	250, 300	850			
1000					
1000	350, 400, 450, 500	1000			
1000					
1000	600, 700, 800, 900	1200			
1000					

Product codes



Example: EKN 800x400/s1=50/L=500 Z/Z