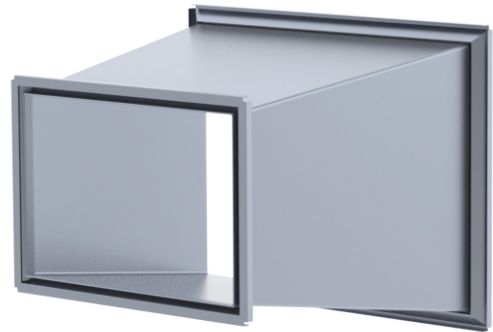
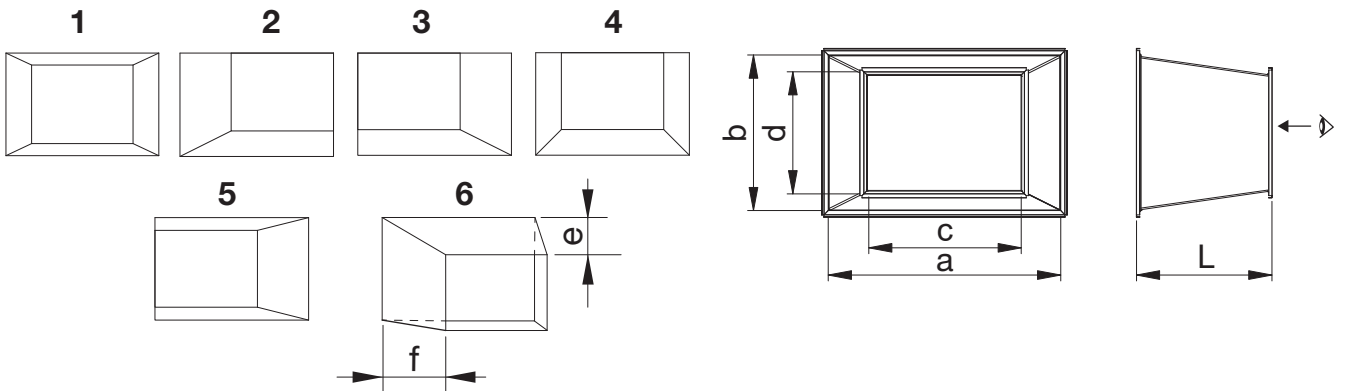


EKK Reducer

EKK educers are used to connect ducts with different sizes.
 When a and b < 800, then l = 300 mm
 When a or b ≥ 800, then l = 500 mm



Location



Product codes

EKK - Material - a x b - c x d - 1 - L - Z

Product	_____	_____	_____	_____	_____	_____
Material	_____	_____	_____	_____	_____	_____
Galvanized steel (DX51D+Z275), standard material ZM – Zinc-magnesium coated steel (DX51D+ZM310) H – Acidproof stainless steel AISI 316						
Dimensions a x b	_____	_____	_____	_____	_____	_____
Dimensions c x d	_____	_____	_____	_____	_____	_____
Location	_____	_____	_____	_____	_____	_____
Lenght L	_____	_____	_____	_____	_____	_____
Duct connection	_____	_____	_____	_____	_____	_____

Example: EKK-ZM 800x400/400x200-1/L=500 Z/Z
 Marking location 6: EKK-ZM 800x400/400x200-6/E=200/F=100/L=500 Z/Z