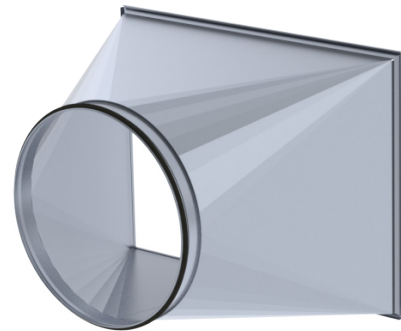
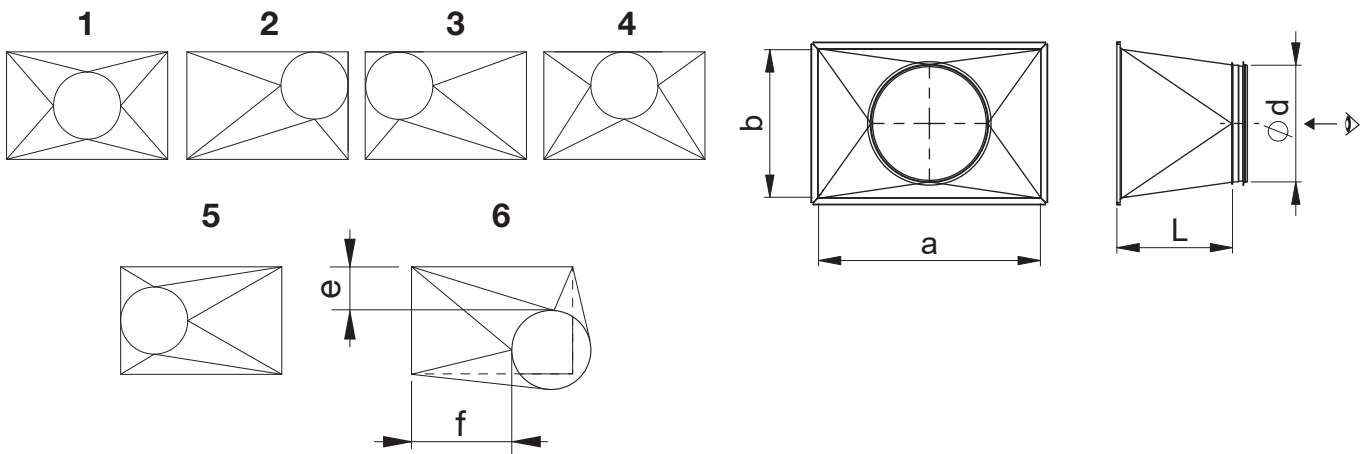


EKD Reducer

EKD reducers are used to connect rectangular and round ducts.
 When a and b < 800, then l = 300 mm
 When a or b ≥ 800, then l = 500 mm



Location



Product codes

	EKD	-	Material	-	a x b	-	d	-	1	-	L	-	Z
Product	_____												
Material	_____												
	Galvanized steel (DX51D+Z275), standard material ZM – Zinc-magnesium coated steel (DX51D+ZM310) H – Acidproof stainless steel AISI 316												
Dimensions a x b	_____												
Diameter d	_____												
Location	_____												
Lenght L	_____												
Duct connection	_____												

Example: EKD-H 800x400/315-1/L=500 Z
 Marking location 6: EKD-H 800x400/315-6/E=200/F=100/L=500 Z