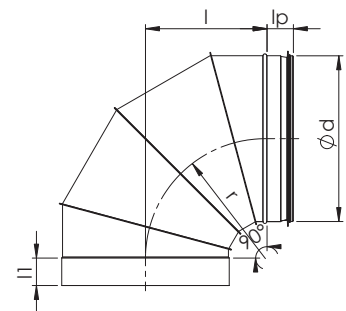


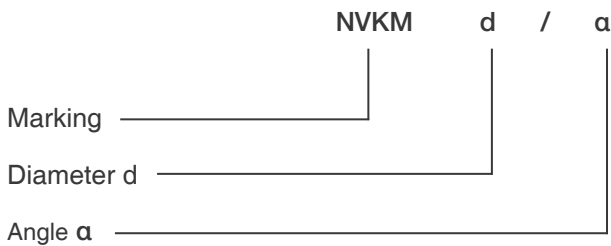
NVKM 90° Bend, short

Ventilation system bend, consists of rolled sectors. $R \sim 0,6 \cdot d$

Nominal size d_1	l (mm)	l_1 (mm)	l_p (mm)	Weight (kg)
200	130	30	30	1,1
250	165	50	50	1,4
315	185	50	50	1,9
400	230	50	50	3,9
500	290	65	61	6,3
630	395	65	61	8,4
800	480	96	96	16,0
1000	580	110	110	29,0
1250	700	110	110	40,0



Product codes



Example: NVKM 315-90