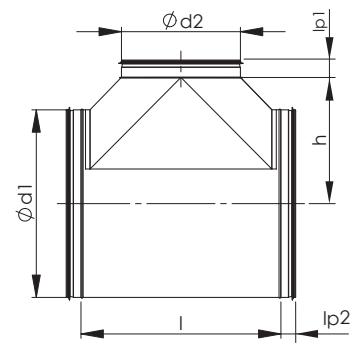


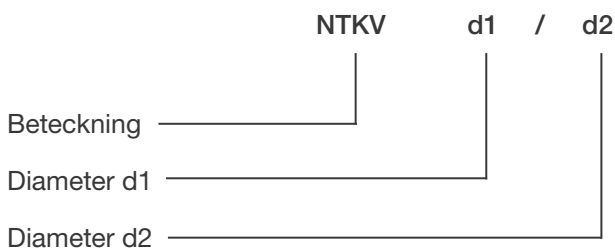
NTKV T-rör

Centrisk T-rör med byggt T-stycke NPSV.

| Nominell dimension d ₁ /d ₂ | l (mm) | h (mm) | l _{p1} (mm) | l _{p2} (mm) | Vikt (kg) |
|---|--------|--------|----------------------|----------------------|-----------|
| 400/400 | 617 | 300 | 52 | 52 | 7,3 |
| 500/400 | 628 | 355 | 53 | 52 | 8,5 |
| 500/500 | 712 | 350 | 53 | 52 | 9,8 |
| 630/400 | 628 | 420 | 52 | 52 | 10,1 |
| 630/500 | 725 | 420 | 53 | 53 | 12,6 |
| 630/630 | 858 | 420 | 53 | 53 | 14,4 |
| 800/400 | 628 | 505 | 52 | 52 | 13,1 |
| 800/500 | 712 | 500 | 53 | 53 | 15,3 |
| 800/630 | 840 | 500 | 53 | 53 | 18,3 |
| 800/800 | 1052 | 520 | 80 | 80 | 22,3 |
| 1000/500 | 705 | 600 | 53 | 53 | 22,3 |
| 1000/630 | 837 | 600 | 53 | 53 | 26,6 |
| 1000/800 | 1034 | 610 | 80 | 80 | 32,0 |
| 1000/1000 | 1244 | 615 | 94 | 94 | 42,5 |
| 1250/630 | 837 | 725 | 53 | 53 | 43,0 |
| 1250/800 | 1074 | 760 | 80 | 80 | 38,0 |
| 1250/1000 | 1243 | 745 | 94 | 94 | 48,0 |
| 1250/1250 | 1552 | 775 | 94 | 94 | 60,0 |



Markering



Exempel: NTKV 500/400