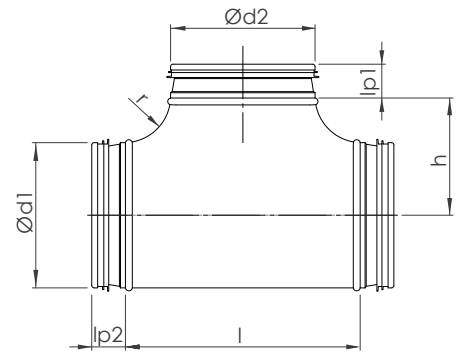


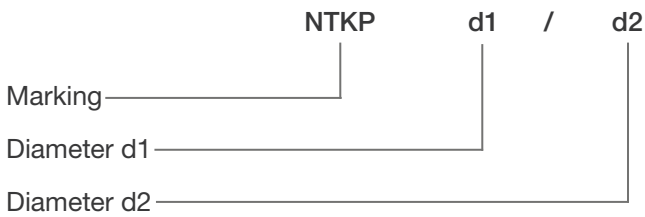
NTKP T-piece (pressed)

NTKP-T is a pressed T-piece for round ventilation duct systems, intended for the distribution or merging of airflow in three directions.

Nominal size d ₁ /d ₂	l (mm)	r (mm)	l _{p1} (mm)	l _{p2} mm	h (mm)	Weight (kg)
100/100	178	35	30	30	90	0,46
125/100	178	33	30	30	103	0,55
125/125	204	35	30	30	103	0,62



Product codes



Example: NTKP 100/100