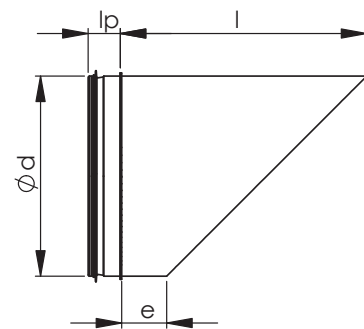
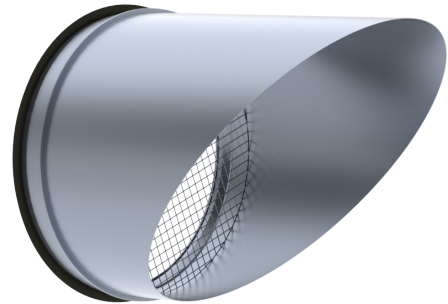


NP Air intake for duct

Air intake with a mesh is used at the end of the air supply and exhaust duct.

Nominal size d	l_p (mm)	l (mm)	e (mm)	Weight (kg)
100	34	155	55	0,35
125	32	155	30	0,45
160	32	200	40	0,6
200	32	240	40	0,8
250	43	300	50	0,9
315	43	365	50	1,7
400	50	450	50	3,5
500	51	560	60	4,8
630	51	690	60	7,5
800	75	870	70	13,0
1000	89	1070	70	18,0
1250	89	1320	70	26,0



Product codes



Example: NP 315