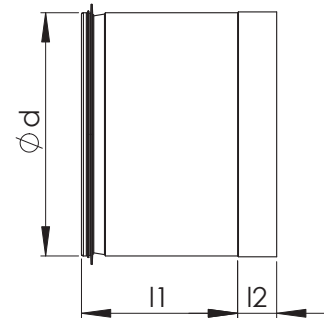
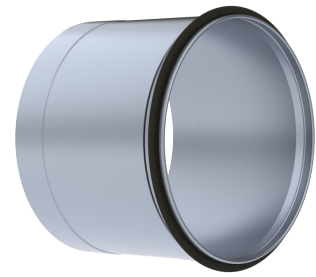


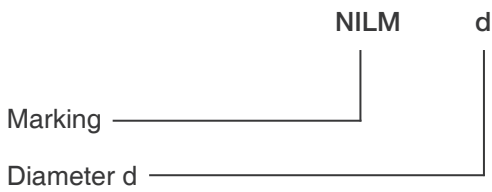
**NILM Long male/female coupling**

NILM allows for connection of ready installed ducts and components.

Nominal size d	l <sub>1</sub> (mm)	l <sub>2</sub> , mm	Weight (kg)
100	165	35	0,26
125	165	35	0,64
160	165	35	0,82
200	165	35	1,0
250	211	55	1,7
315	211	55	2,2
400	211	55	2,4
500	310	66	2,9
630	310	66	4,5



**Product codes**



Example: NILM 315