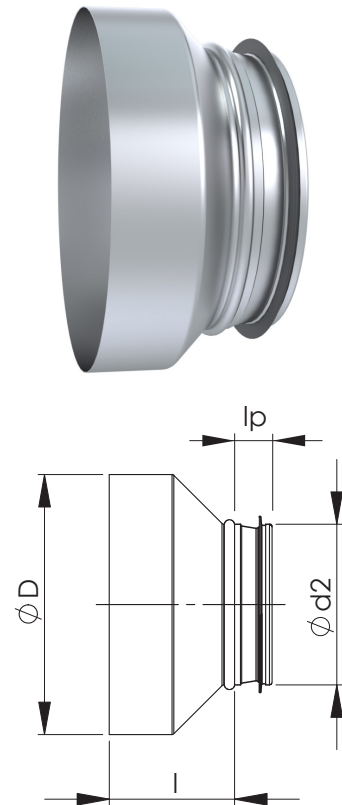


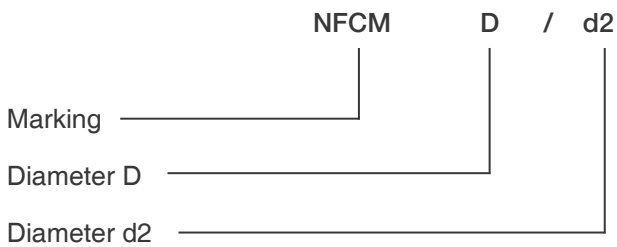
NFCM Reducer, concentric (pressed)

Concentric reducer between different sizes of ducts and parts.

Nominal size D/d ₂	l (mm)	l _p (mm)	Weight (kg)
100/80	56	30	0,13
125/80	65	30	0,18
125/100	64	35	0,15
160/100	84	35	0,30
160/125	69	35	0,21
200/100	110	35	0,39
200/125	92	40	0,40
200/160	74	35	0,37
250/160	109	35	0,57
250/200	89	35	0,55
315/160	132	40	0,93
315/200	112	40	0,78
315/250	87	40	0,74



Product codes



Example: NFCM 315/250