

**NORD**canopy

HN Installation, use and maintenance manual

[www.nordcooking.com](http://www.nordcooking.com)

**Installation, use and maintenance manual**

Safety .....3

1. Removing the ceiling panel .....4

2. Hanging the canopy .....4

3. Leveling the canopy .....4

4. Opening the front panel .....4

5. Fastening canopy modules together

    6.1 Sequential connection

    6.2 Installation of the ceiling panel between the modules

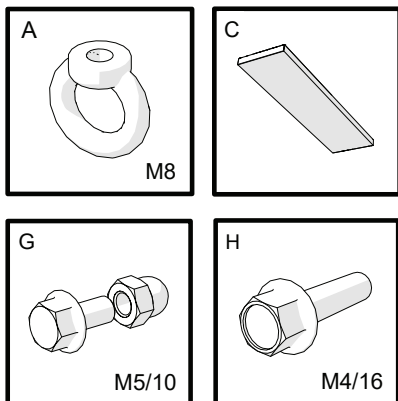
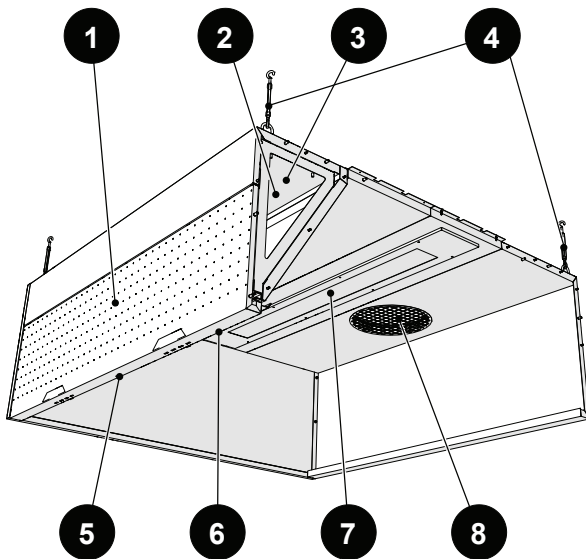
6. Lighting connection .....6

7. Adjusting airflow .....6

8. Replacing the luminaires .....7

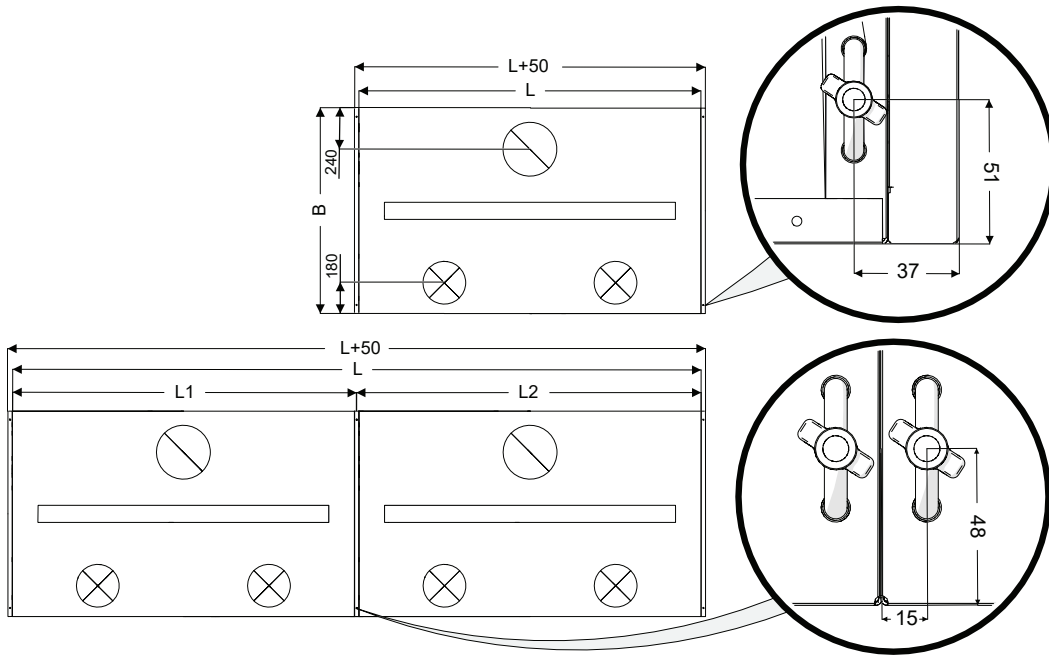
9. Canopy maintenance .....7

10. Accessories .....8



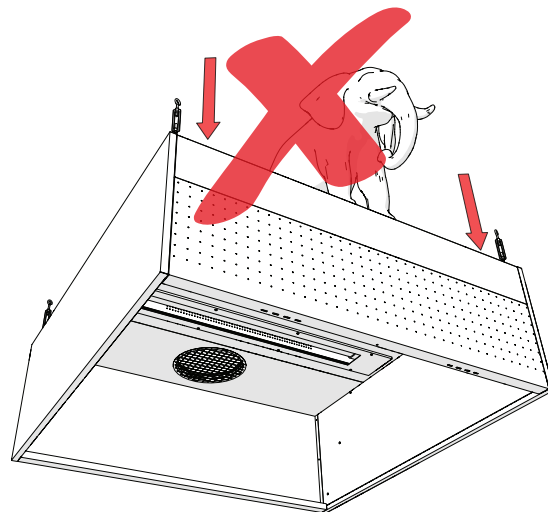
**In the kit:**

- A- Loop nut
- B- Ceiling panel for modular connection
- C- Bolts and cap nuts
- D- Screws



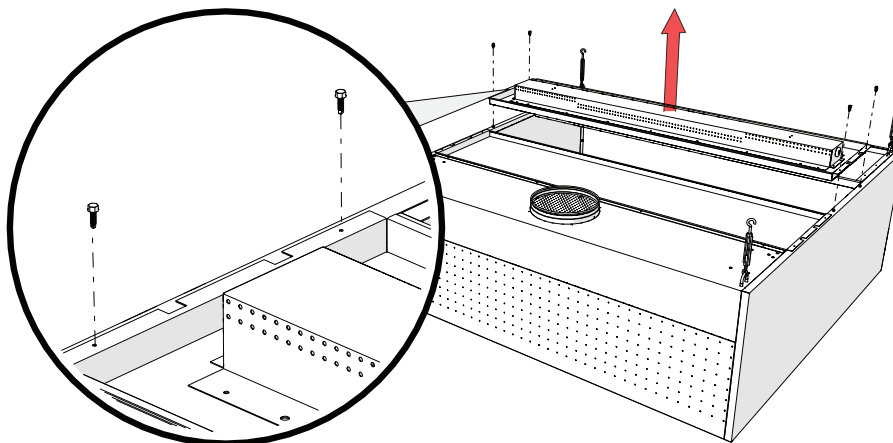
**Safety**

**It is prohibited to hold or add additional weight on the top of the canopy.**

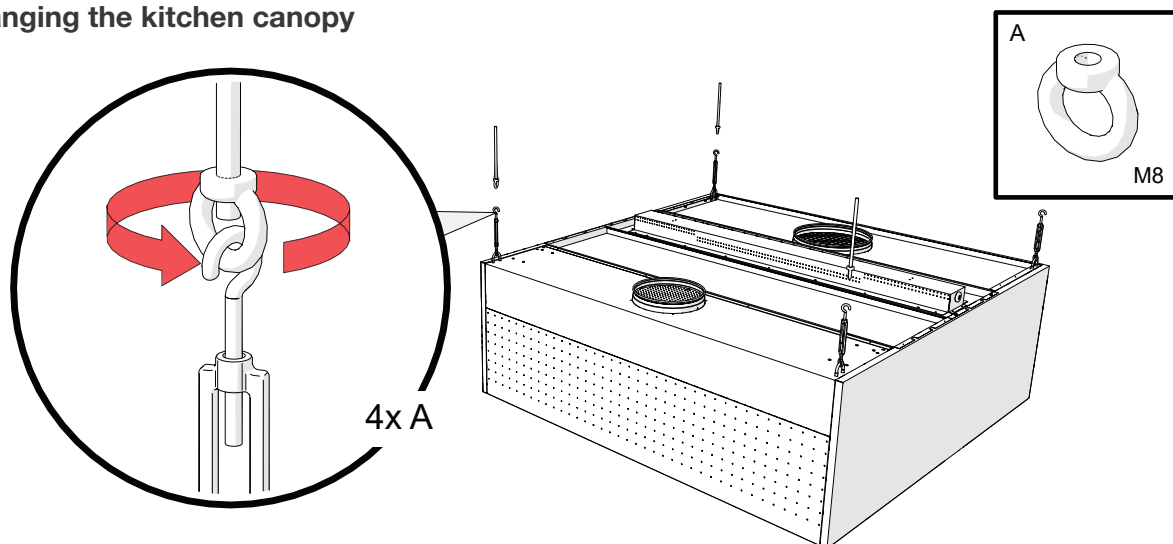


**1. Removing the ceiling panel (Optional)**

With larger canopies, removing the center ceiling panel can provide better access for exhaust duct and insulation installation.

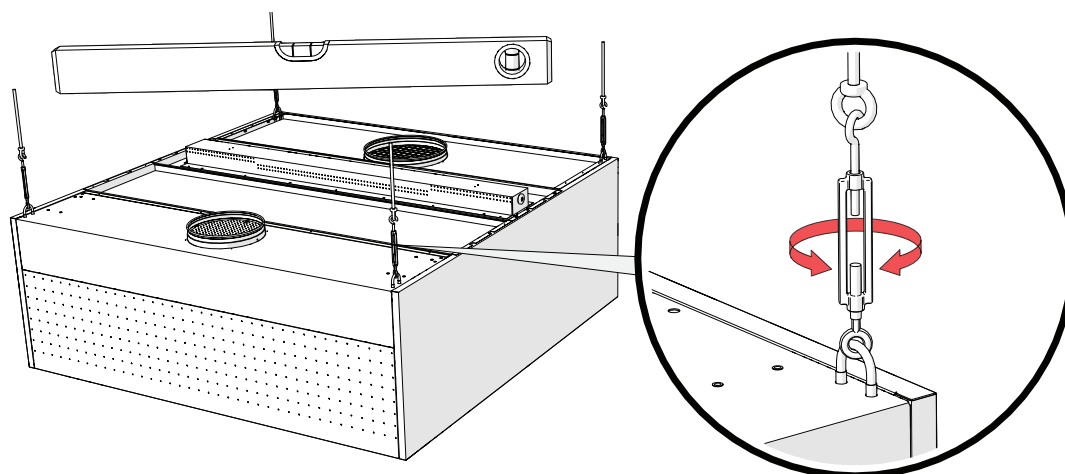


## 2. Hanging the kitchen canopy

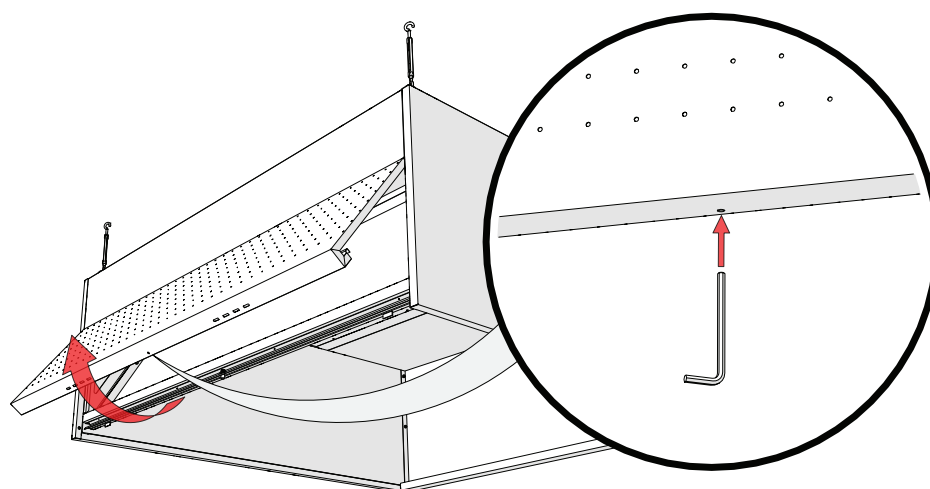


## 3. Leveling the canopy

Performed for each module



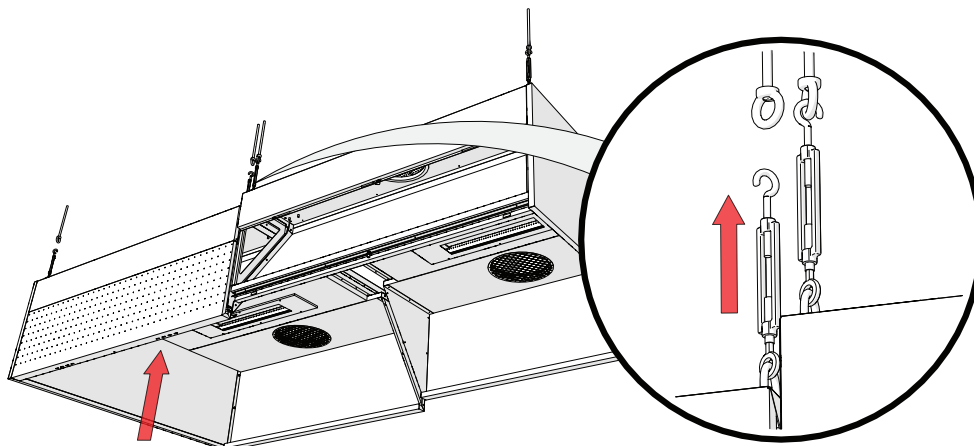
## 4. Opening the front panel



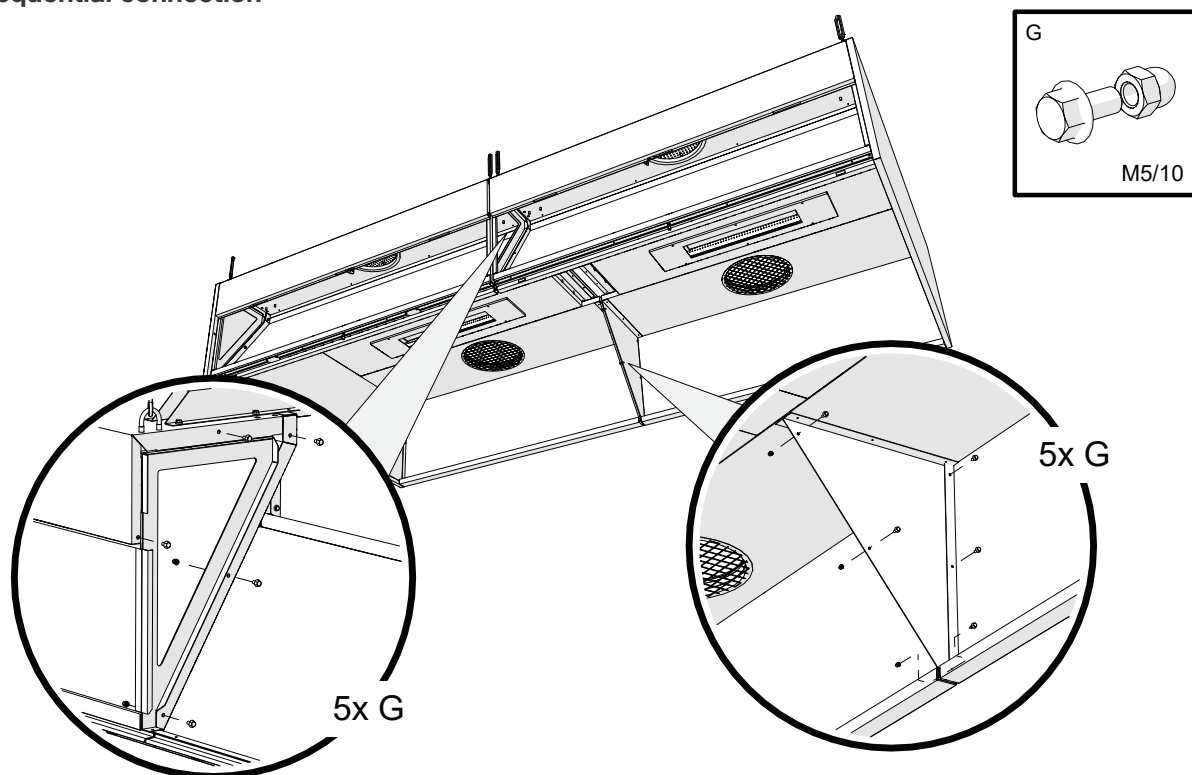
The panel locks automatically.  
**ATTN!** At the end of the installation, make sure that the panels are correctly fixed.

## 5. Fastening kitchen canopy modules together

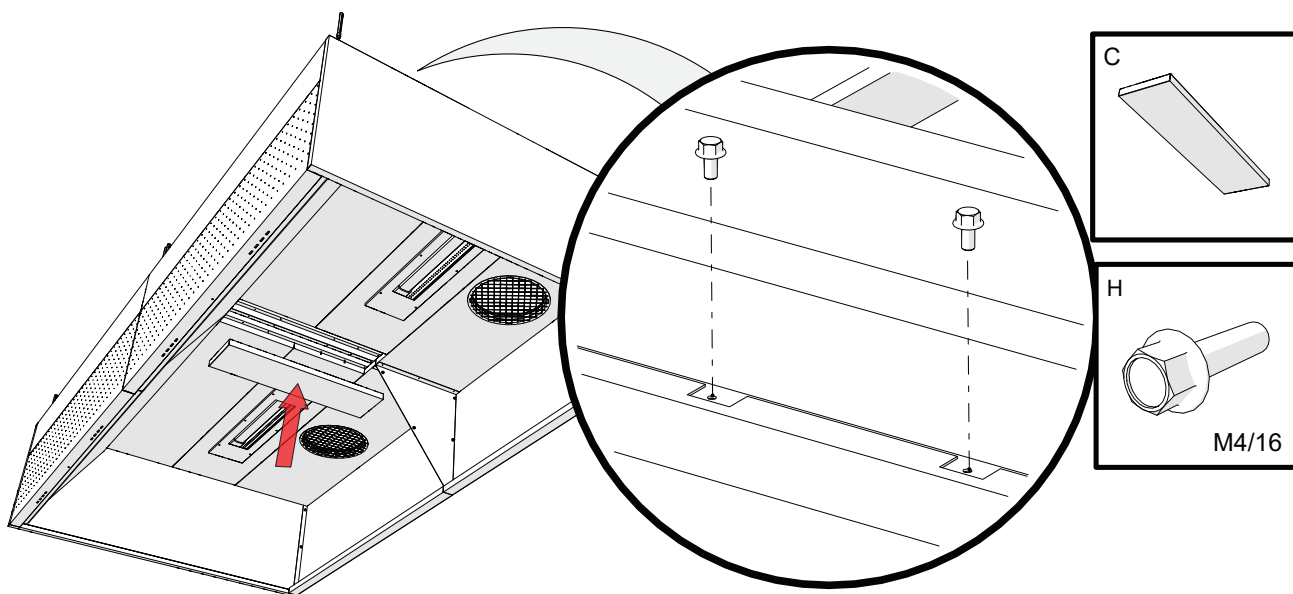
### 5.1 Hanging the canopy modules side by side



### 5.2 Sequential connection

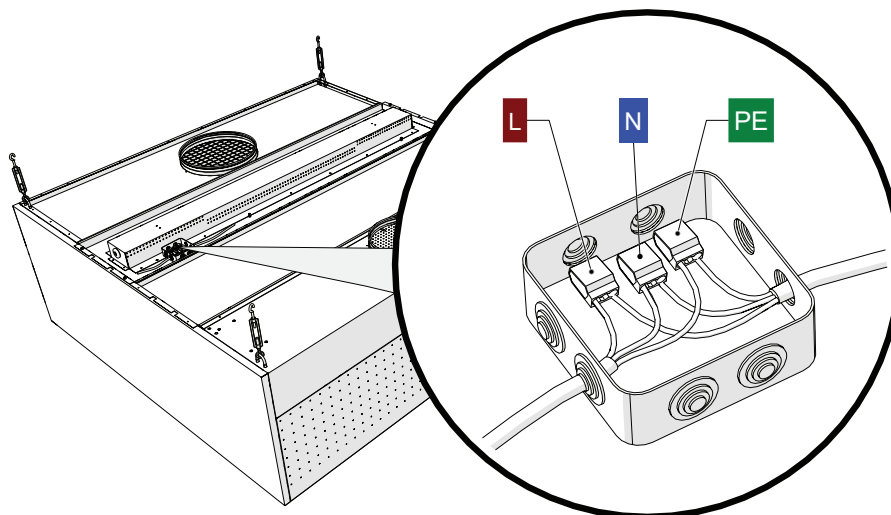


### 5.3 Installation of the ceiling panel between the modules

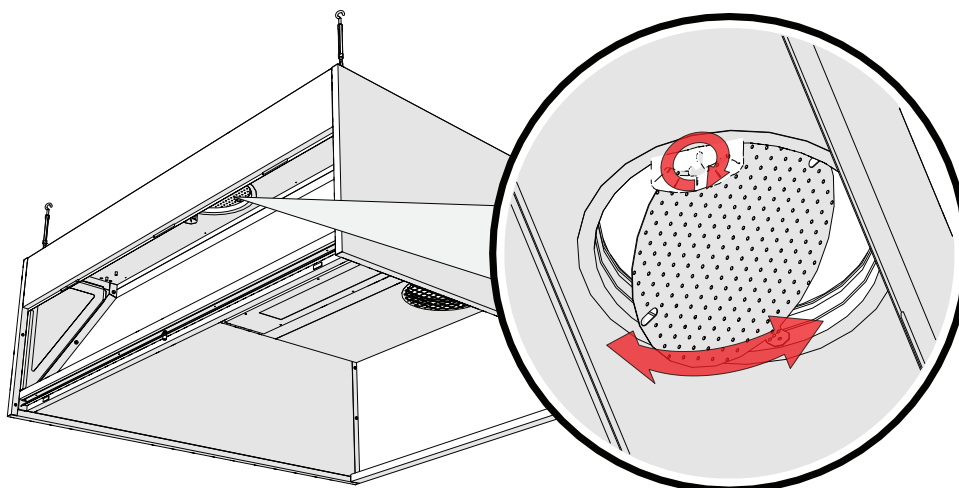


### 6. Lighting connection

**ATTN! Performed by electrician**



### 7. Adjusting airflow



In order to adjust supply airflow, the position of the adjusting plate located in the supply chamber is adjusted.

Lock the adjustment plate in place using the butterfly nuts!

**K-factor for measuring airflow**

$$Q_v = k \sqrt{\Delta p_m}$$

**Calculation example:**

Supply air canopy L=2 meter with SPx2 front panel.

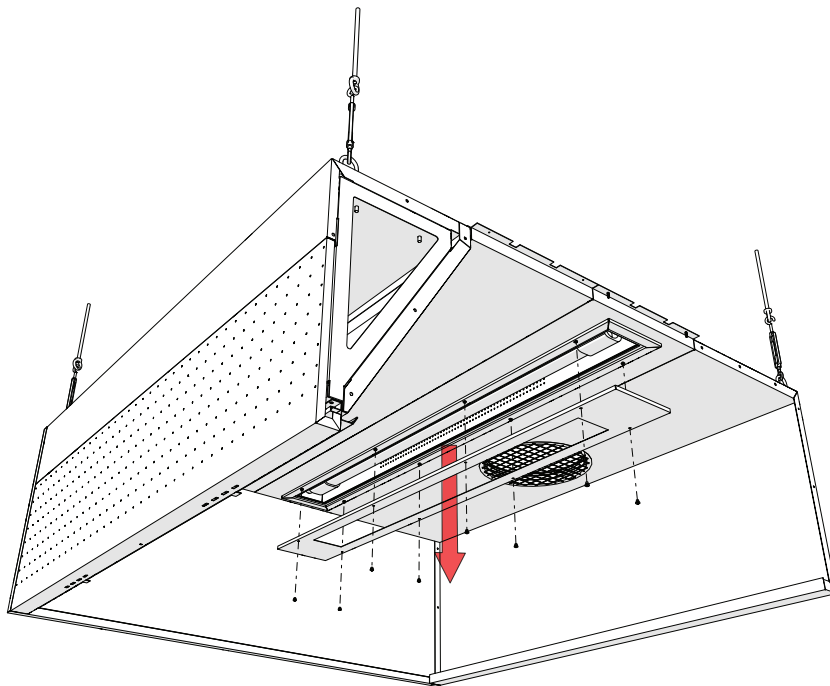
**Calculation of the supply air volume:**

Pressure in the supply air chamber is 26 Pa

Front panel SPx2 k-factor is 32,3

Front panel per 1m	k-factor
SPx0	-
SPx1*	19,2
SPx2*	32,3
SPx3*	50,4
AirGrip	2,4

**8. Replacing the luminaires**



NORDcanopy kitchen canopys use integrated light fixtures with protection class IP 66.

To remove luminaires, fastening screws of the protective glass are unfastened and the glass is removed.

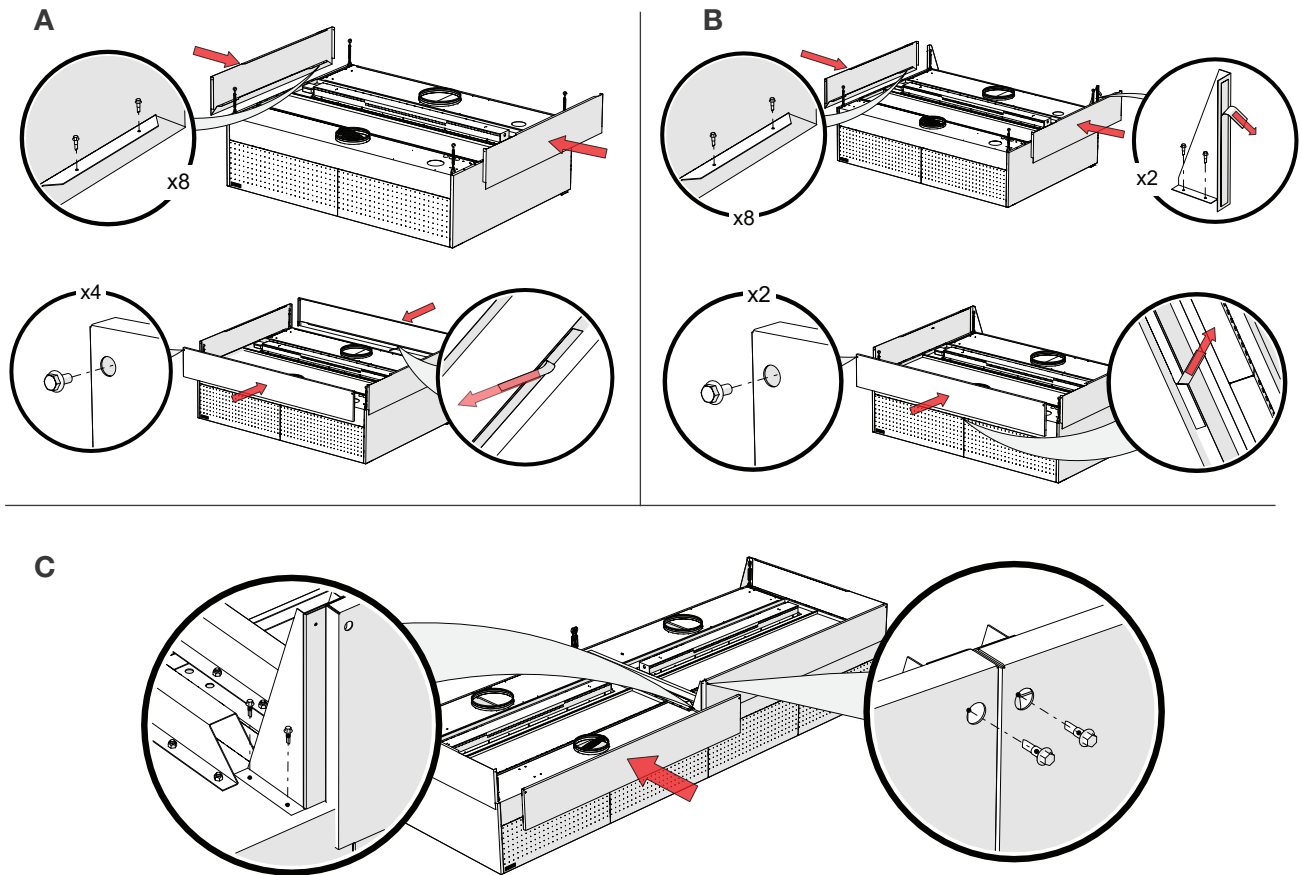
**9. Canopy maintenance**

All internal and external surfaces of the canopy, including light fixtures, are cleaned using neutral cleaning agents. Carefully rinse the surfaces after cleaning, in order to avoid harmful interactions of cleaning agents and high temperatures.

**ATTN! Do not use hard or abrasive detergents, chlorine or bleach when cleaning the canopy! Never clean the canopy when any of its surfaces are hot.**

## 10. Accessories

### 10.1 Installation of cover plates







### ETS NORD AS

Address: Peterburi tee 53  
11415 Tallinn  
Estonia

Phone: +372 680 7360  
info@etsnord.ee  
www.etsnord.ee

### ETS NORD Finland

Address: Pakkasraitti 4  
04360 Tuusula  
Finland

Phone: +358 0401 842 842  
info@etsnord.fi  
www.etsnord.fi

### ETS NORD Sweden

Address: Järsjögatan 7  
69235 Kumla  
Sweden

Phone: +46 707 80 50 16  
info@etsnord.se  
www.etsnord.se

### ETS NORD Denmark

Address: Nordholmen 6  
2650 Hvidovre  
Denmark

Phone: +45 9712 1314  
info@etsnord.dk  
www.etsnord.dk

