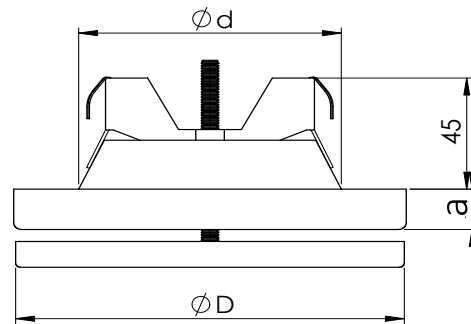
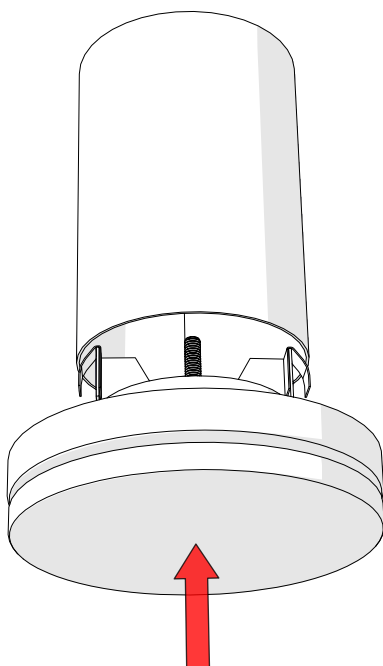


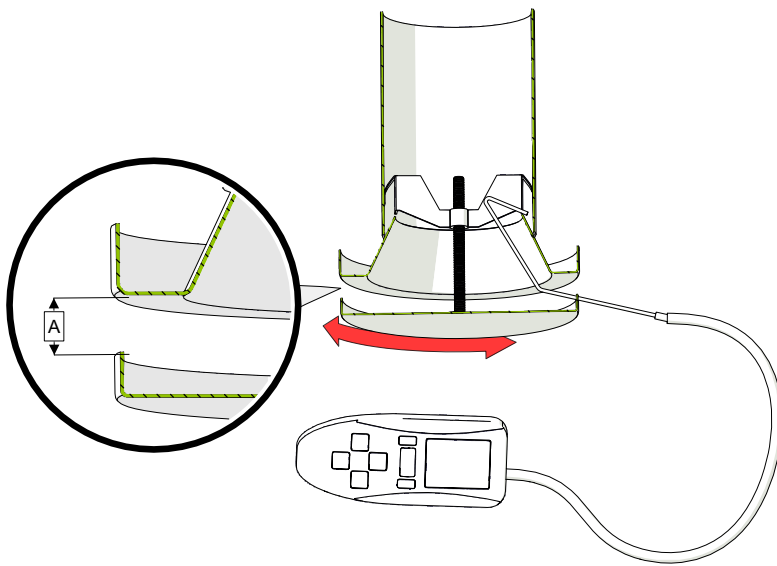
SFU installation



Size	ϕD	A	Weight, kg
100	135	15	1,75
125	160	15	2,85
160	191	15	3,05
200	238	18	4,40



SFU installation



SFU 100, supply air			
a, mm	6	9	12
k-value	2,40	3,70	4,25

SFU 100, exhaust air					
a, mm	6	9	12	15	18
k-value	1,90	2,95	4,00	4,35	4,40

SFU 125, supply air					
a, mm	6	9	12	15	18
k-value	2,45	3,80	4,70	5,60	6,85

SFU 125, exhaust air					
a, mm	6	9	12	15	18
k-value	2,15	3,60	4,20	5,30	6,35

SFU 160, supply air					
a, mm	6	9	12	15	18
k-value	3,50	5,55	6,70	8,55	9,80

SFU 160, exhaust air					
a, mm	6	9	12	15	18
k-value	3,55	5,00	6,40	7,60	8,55

SFU 200, supply air					
a, mm	6	9	12	15	18
k-value	4,75	7,05	8,50	9,75	11,05

SFU 200, exhaust air					
a, mm	6	9	12	15	18
k-value	4,30	6,40	7,85	9,75	11,20

