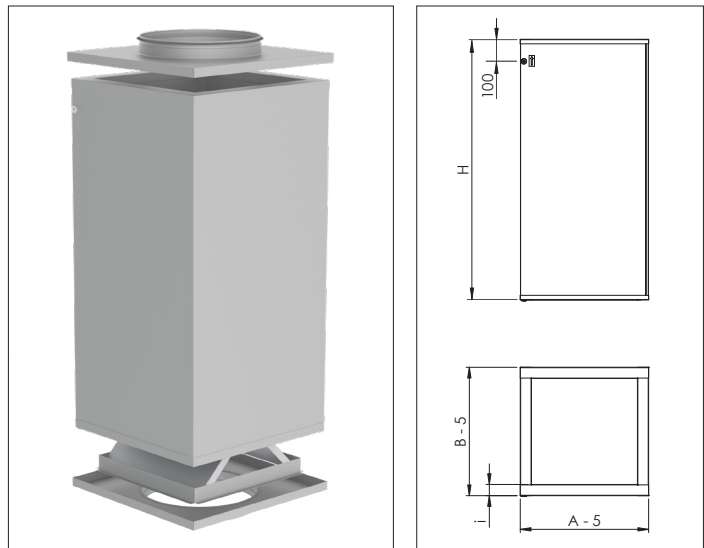


MKL Roof transition - installation and maintenance instructions

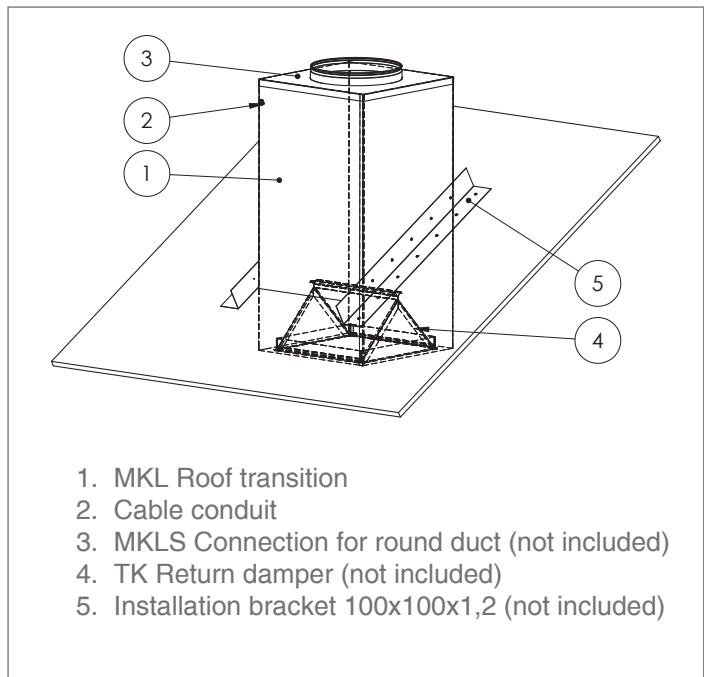
Roof transition, easily adapted for required roof incline by angle brackets. Also functions as a silencer when fitted with a perforated inner shell.



Installation

- The roof transition have to support with the angle brackets onto the roof structure.
- Adjust the angle brackets with roof slope and fasten them to the roof transition with screws so that the transition collar is leveled
- Fasten the brackets to the roof construction and seal with outdoor suitable sealing mass. (Waterproofing and density of the roof are provided by specialists in the field)

The roof joints must be sealed with outdoor suitable sealant.



Maintenance

Check outdoor products condition once a year and clean if necessary.

When cleaning - chemical cleaners, abrasives and steel brush that could damage the material should be avoided.

Maintenance check:

- Check the joints and, if necessary, seal with sealant.
- When rust occurs, remove the visible rust with wire brush until it is smooth and free of defects and paint it with zinc aerosol.