

NORDcanopy

SF Integrated Supply Air Fan Installation and Maintenance Guide and SF Retrofit Installation Guide

For canopies without supply air ducts.
Suitable for HR, HV and HM kitchen canopies

Table of contents

SF Integrated Supply Air Fan Installation and Maintenance Guide	3
Warnings!	3
Check the product shipment	3
1. Electrical connections	4
2. Maintenance – changing the filter	5
SF Retrofit Installation Guide	6
1. Opening the front panel	6
2. Removing the supply air adjustment plate	7
3. Installing the cable grommet	7
4. Installing the SF fan to the supply chamber	8
4.1 Install the fan housing from below to the supply air connection spigot and drill holes for rivets.	8
4.2 Fasten with rivets.	8
5. Install the NGM protective net to the supply air connection	9
5.1 Supply chamber with multiple supply air connections	9
6. Electrical connections	10
7. Setting the supply fan air volumes	11
8. Attaching the potentiometer to the supply chamber ceiling	12
9. Adding a sound dampener to the front panel (optional)	12
10. Maintenance – changing the filter	13

SF Integrated Supply Air Fan Installation and Maintenance Guide

Warnings!



Risk of falling!

Make sure installation and service personnel have stable work platforms when installing the device.



Risk of electric shock!

Electrical connections to the system may only be made by a qualified and authorized electrician.



Before maintenance work, always switch off the system and disconnect the plug from the mains!



Risk of cutting!

Do not touch the fan if the power is on.

Check the product shipment

Check that the packaged products do not have visible damage. Immediately notify the supplier and manufacturer of the products damaged or missing components.

Verify that the product corresponds to the order and includes all parts specified in the delivery note. Any incorrect deliveries or transport damages should be immediately reported to both the carrier and **ETS NORD Service**.

The period for reporting complaints or discrepancies in shipments is 5 days after delivery. ETS NORD bears no responsibility for defects occurring after the goods have been transferred to the buyer.

In the event that goods purchased from ETS NORD have defects for which ETS NORD is responsible, we will undertake to repair or replace the defective items. Should repair or replacement not be feasible, ETS NORD will reimburse the buyer for all costs related to such items as per the terms of the sales contract.

If you encounter any issues, please contact **ETS NORD Service!**

Included in the delivery:

SF integrated supply air fan packaging includes:

A – Fan with housing and EU4 filter 275x275x22 mm

B – Potentiometer connected to the fan

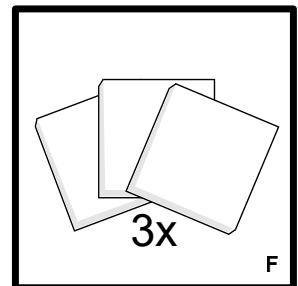
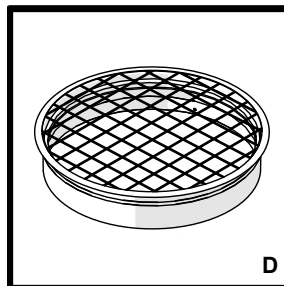
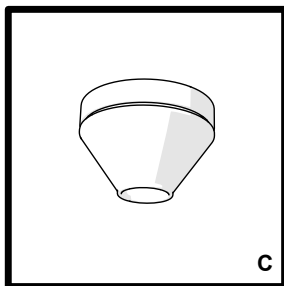
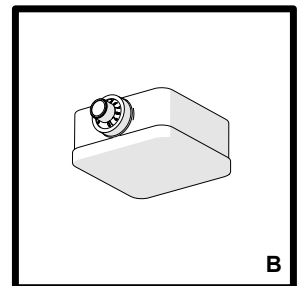
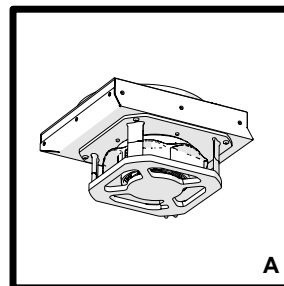
C – *Cable grommet

D – *NGM Ø 250 protective net

E – *Installation guide

F – 3 pcs of additional EU4 filters 275x275x22 mm

* Is included in the package of LCD control panel with M-Link.



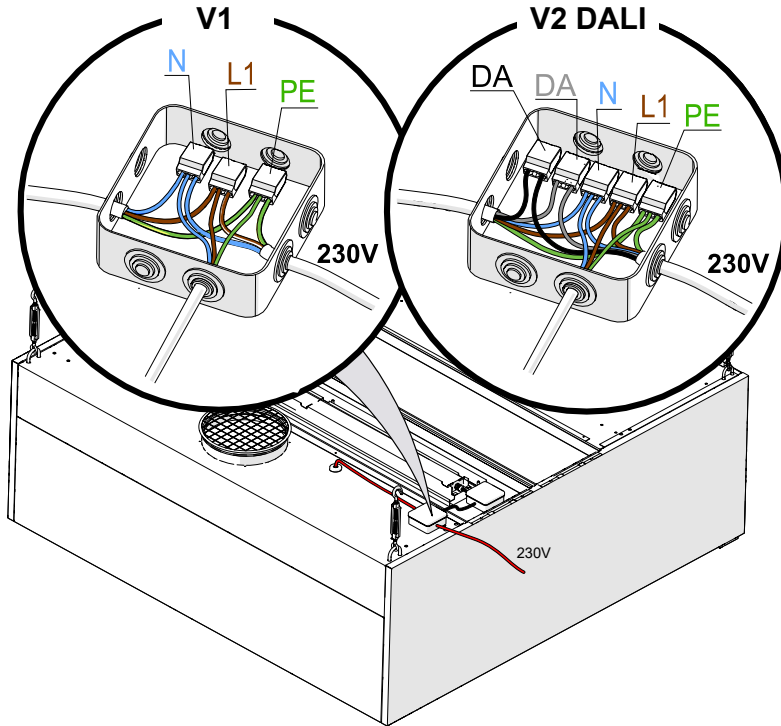
1. Electrical connections



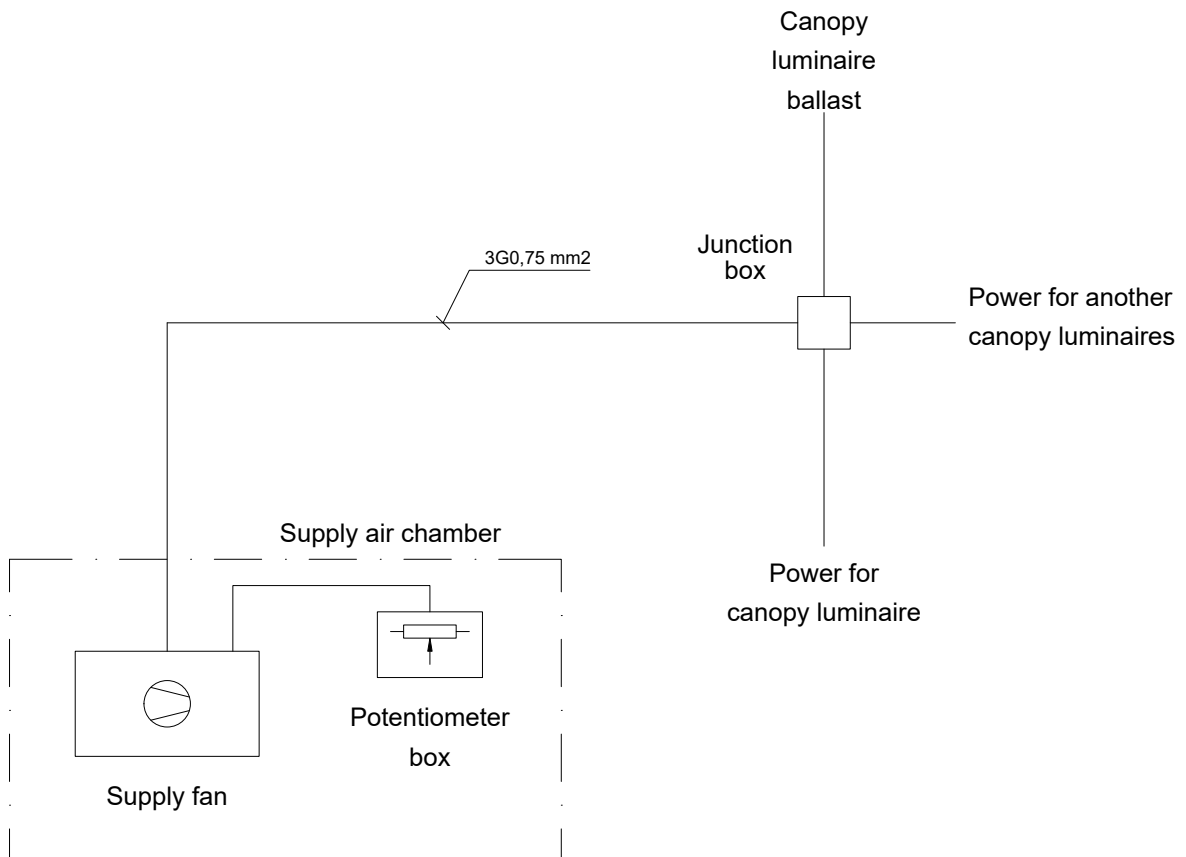
Risk of electric shock!

Electrical connections to the system may only be made by a qualified and authorized electrician.

Connect the power cable together with the canopy's lighting power supply.



Electrical diagram:



2. Maintenance – changing the filter

Supply air fan’s filter should be checked visually once every 3 months, in case of visible dirt, change the filter to a new one.

Filter information:

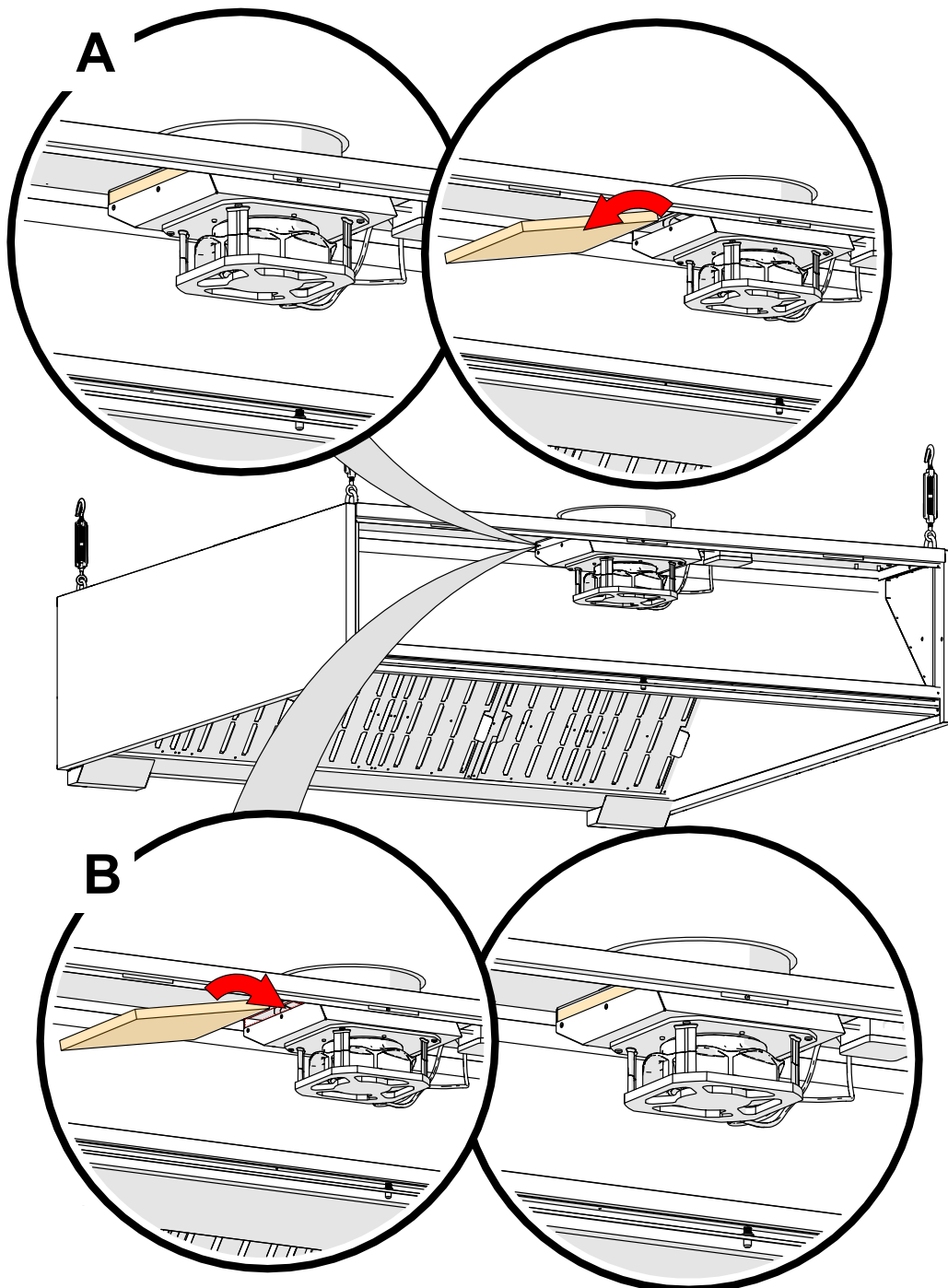
Material – EU4

Dimensions – 275x275x22 mm

SF fan packaging includes total of 4 filters. If all filters became used, then one must acquire new ones themself.

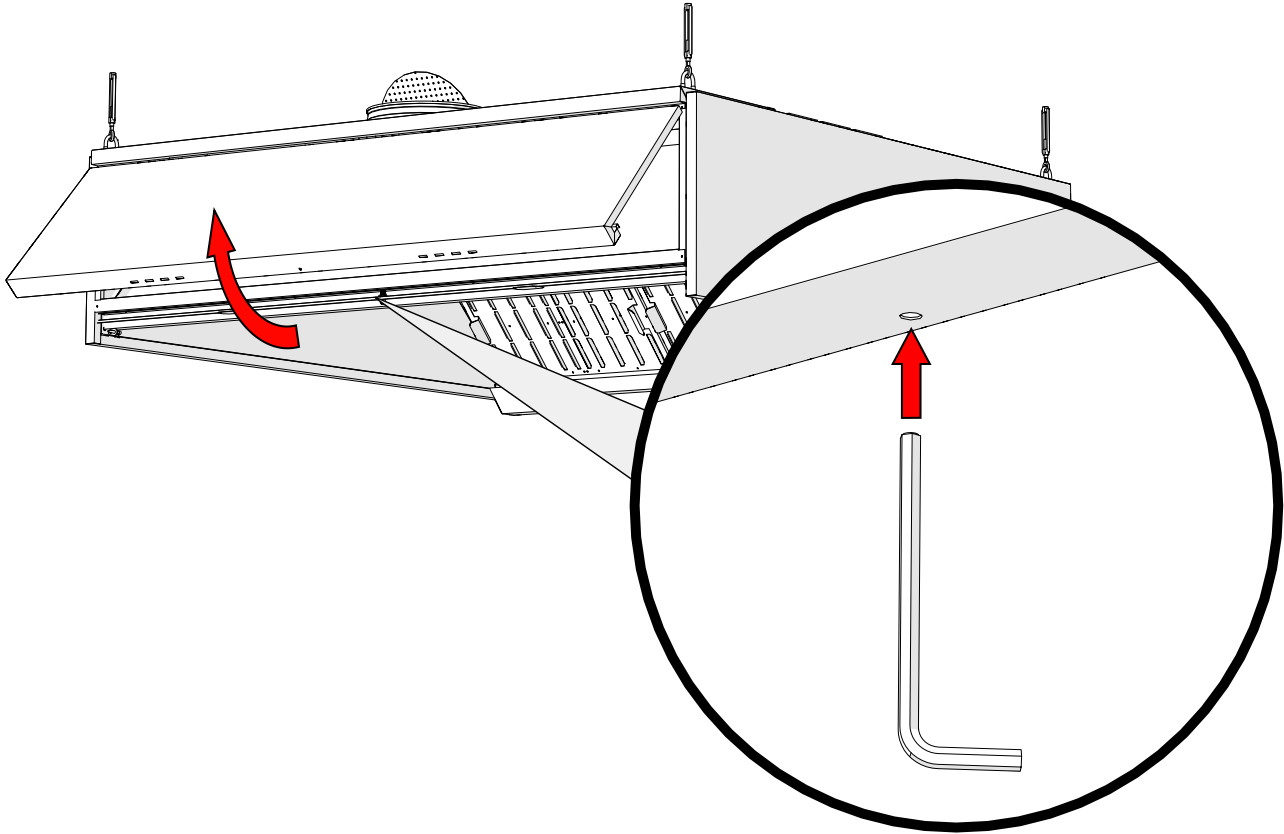
A – Removal of the filter

B – Reinstalling the filter



SF Retrofit Installation Guide

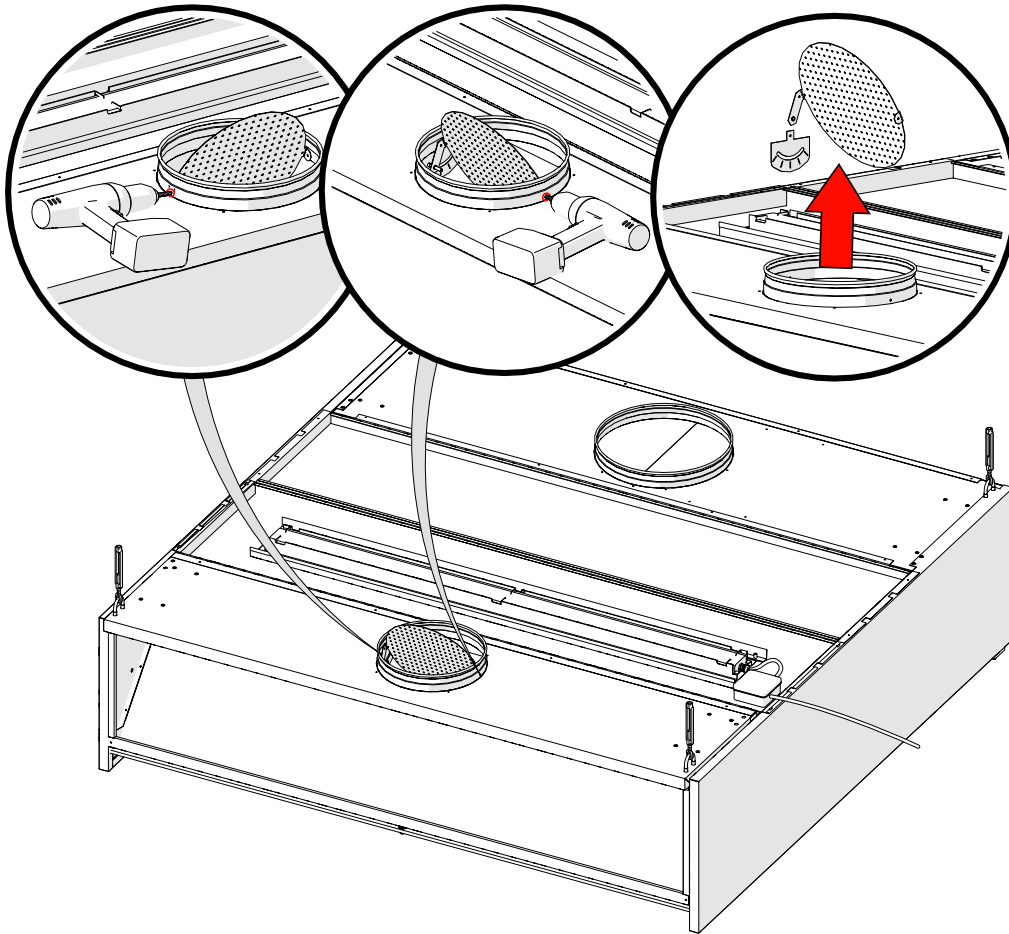
1. Opening the front panel



The panel locks automatically.
ATTN! At the end on the installation make sure that the panels are correctly fixed.

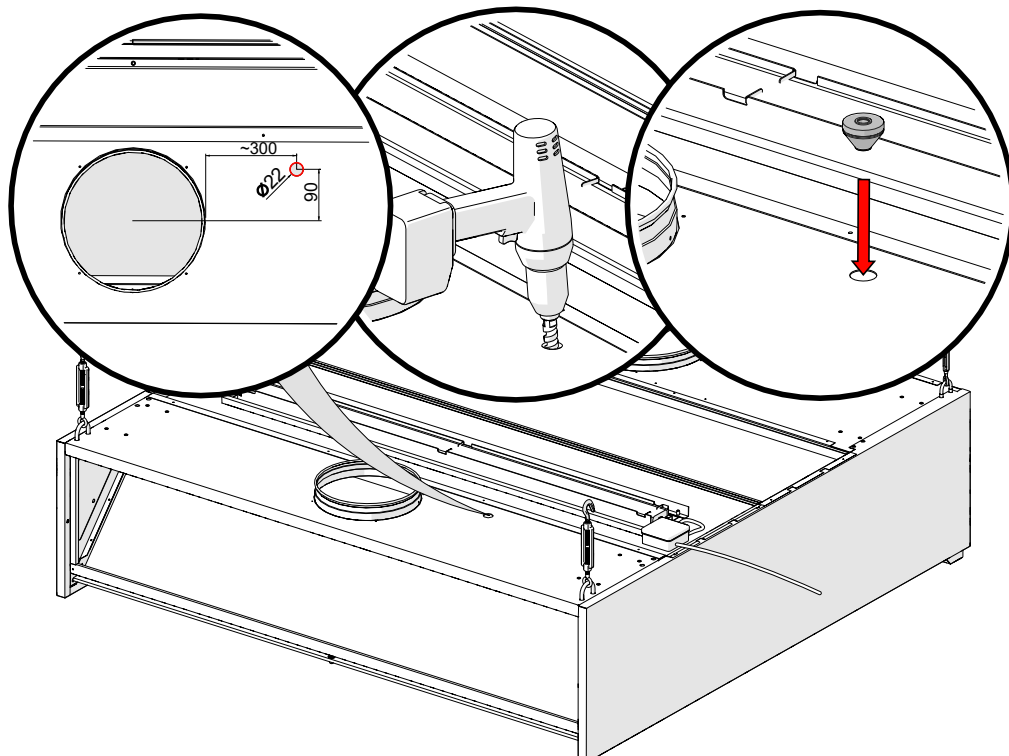
2. Removing the supply air adjustment plate

Remove the adjustment plate from the supply air connection by drilling through the rivets on the side of the spigot.



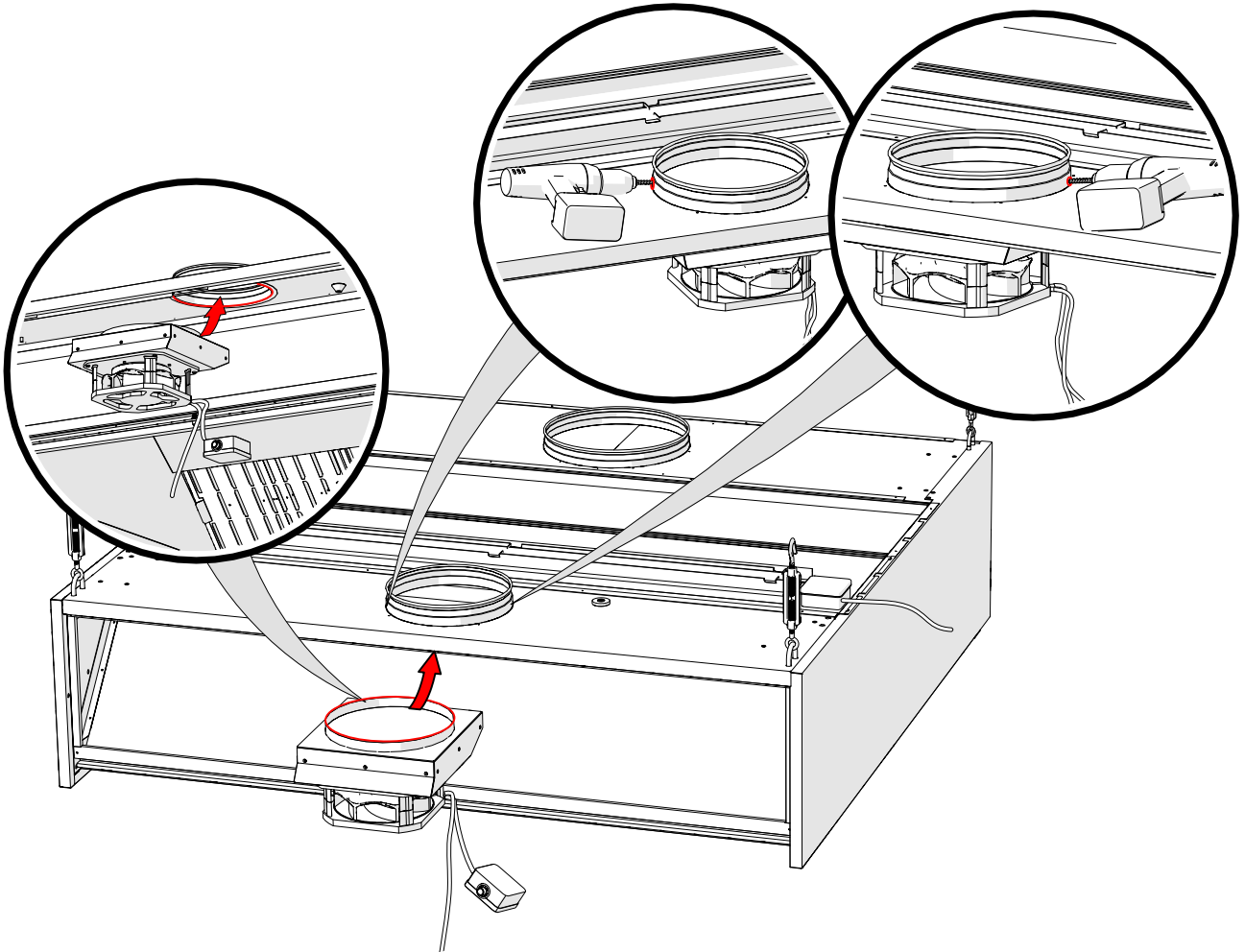
3. Installing the cable grommet

For cable grommet drill a $d=22$ mm hole above the supply chamber for the cable entry and install the cable grommet.

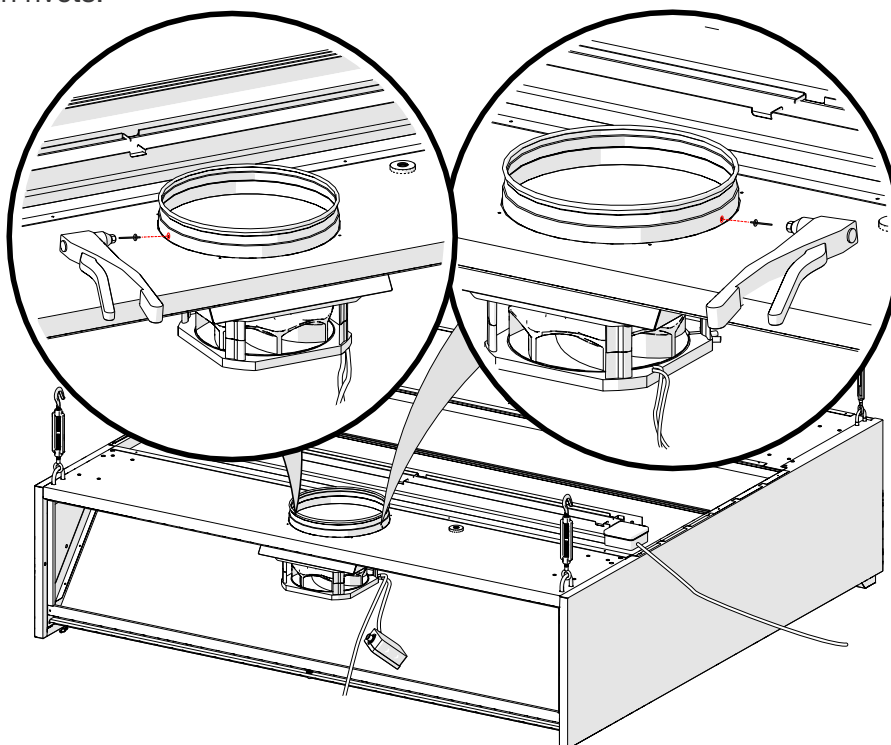


4. Installing the SF fan to the supply chamber

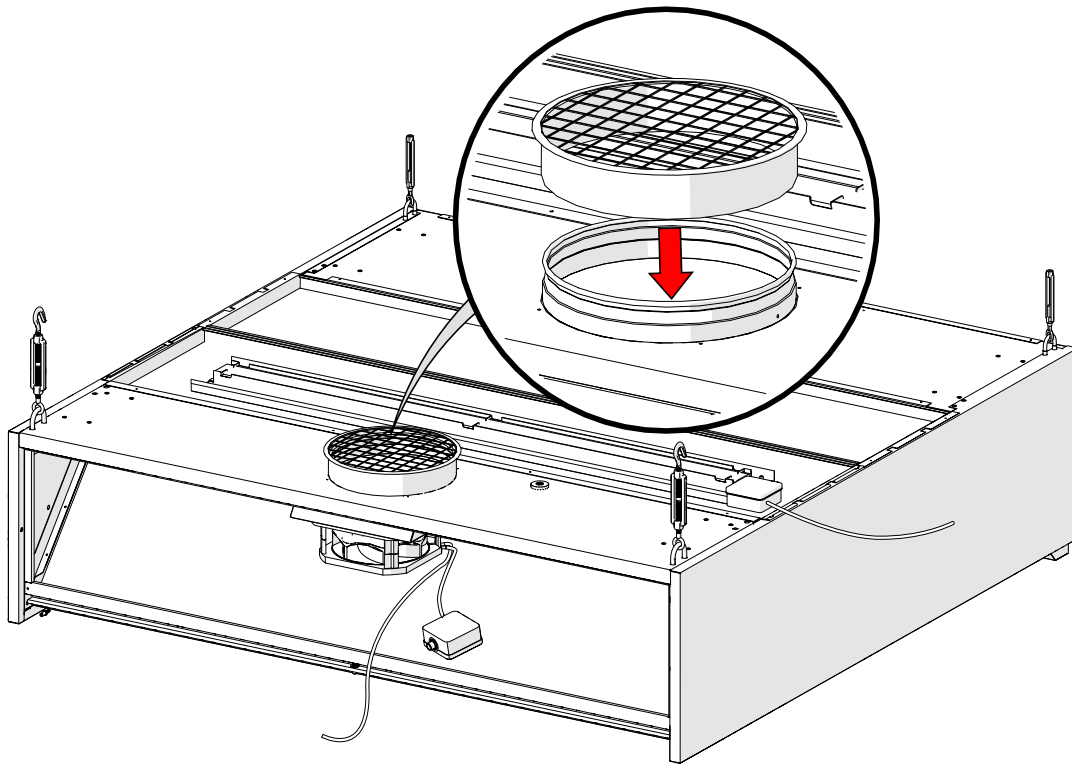
4.1 Install the fan housing from below to the supply air connection spigot and drill holes for rivets.



4.2 Fasten with rivets.



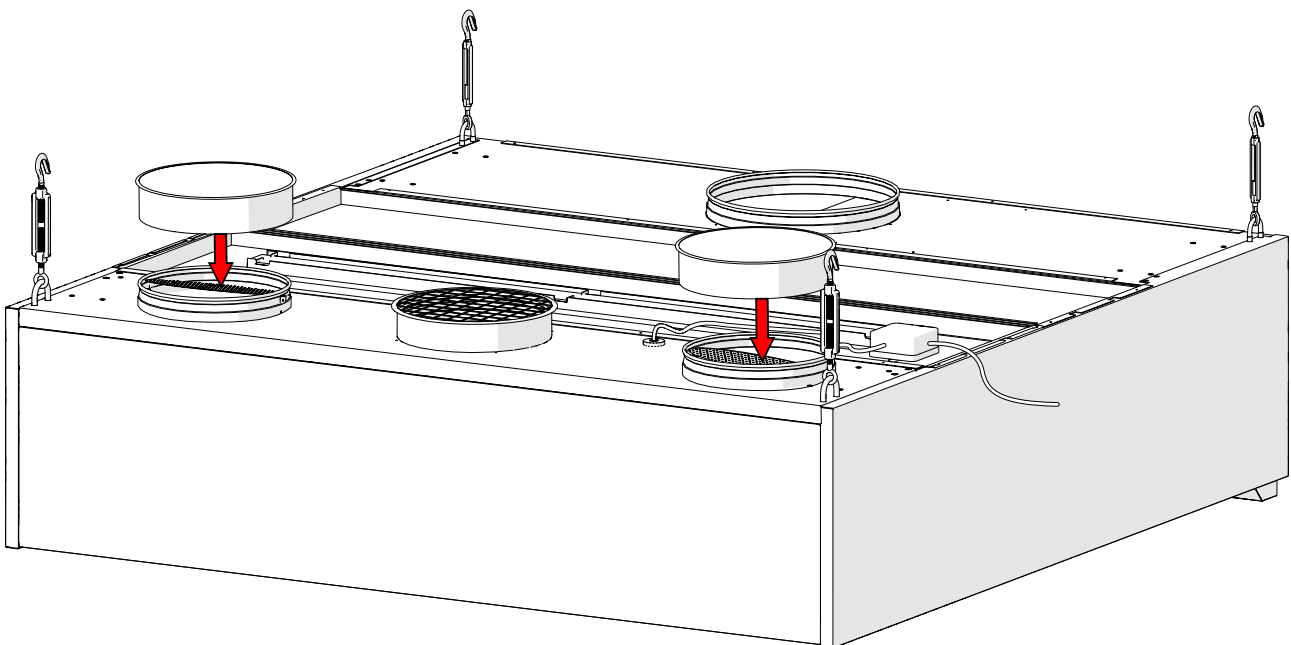
5. Install the NGM protective net to the supply air connection



5.1 Supply chamber with multiple supply air connections

If the supply chamber has more than one supply air connections, install the NALM end cap to the open connections.

NALM End cap is not included in the delivery!



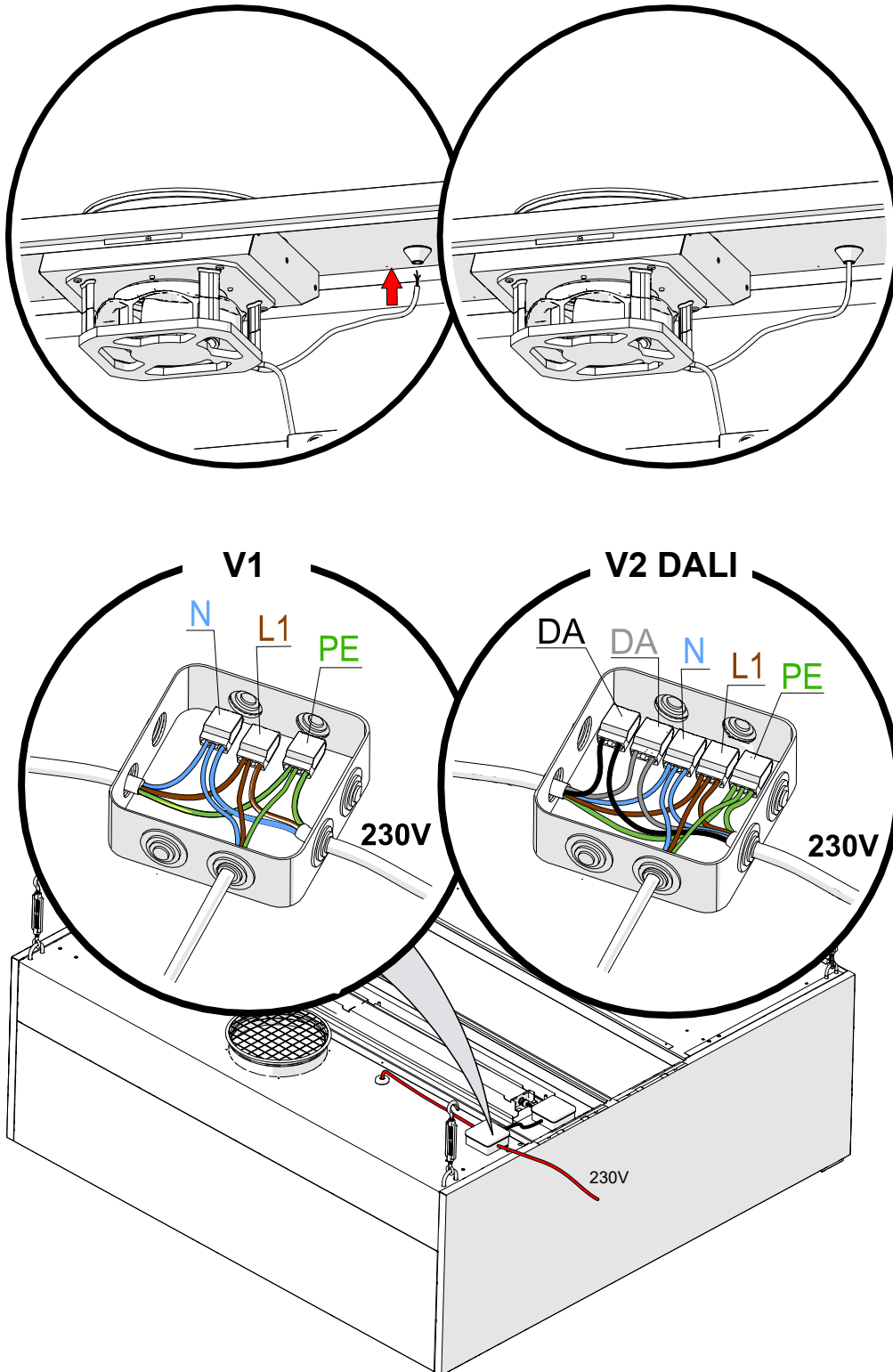
6. Electrical connections



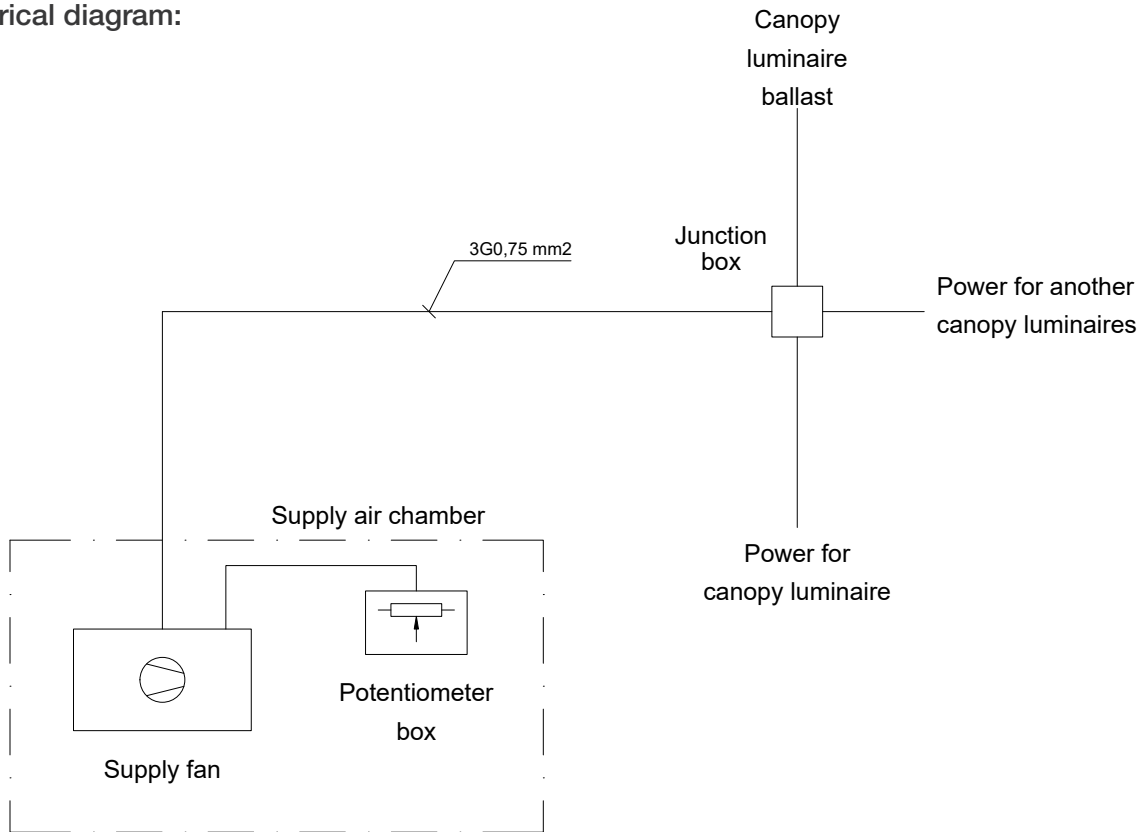
Risk of electric shock!

Electrical connections to the system may only be made by a qualified and authorized electrician.

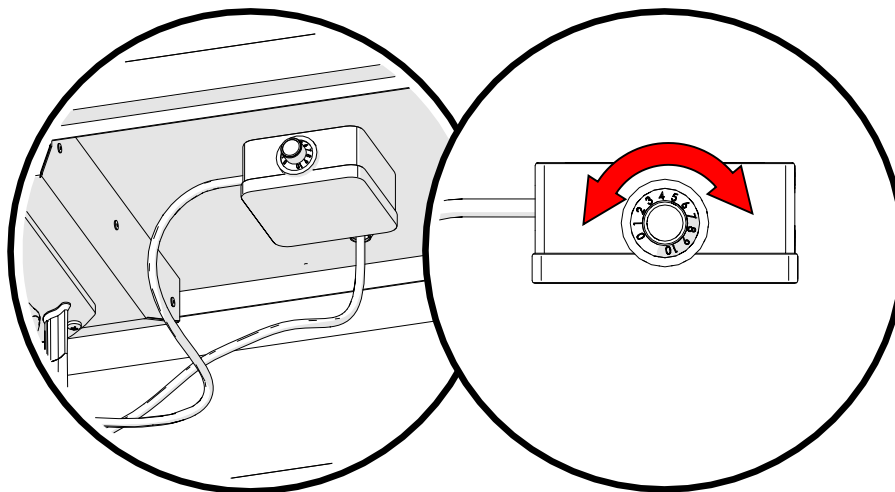
Pull the power cable of the fan through the cable grommet and connect it together with the canopy's lighting power supply.



Electrical diagram:



7. Setting the supply fan air volumes



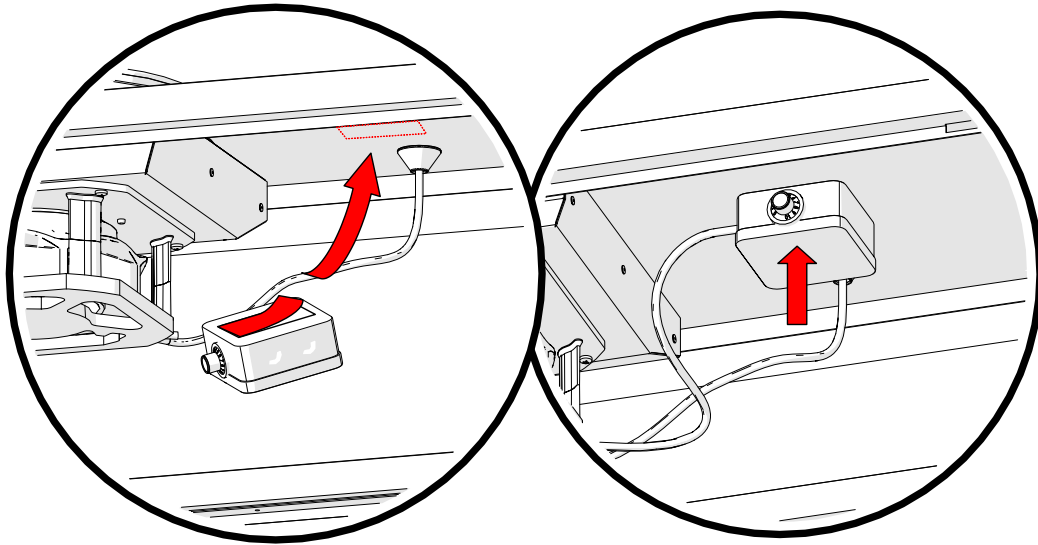
Set the air volumes by turning the potentiometer to the desired position.

Adjust the airflow of the supply fan according to the table below:

Canopy section lenght (mm)	Potentiometer position (position if there is a control unit inside)	Airflow (l/s)
1000	3,5 (4,0)	32
1500	3,5 (4,0)	33
2000	4 (4,5)	37
2500	4,5 (5,0)	39

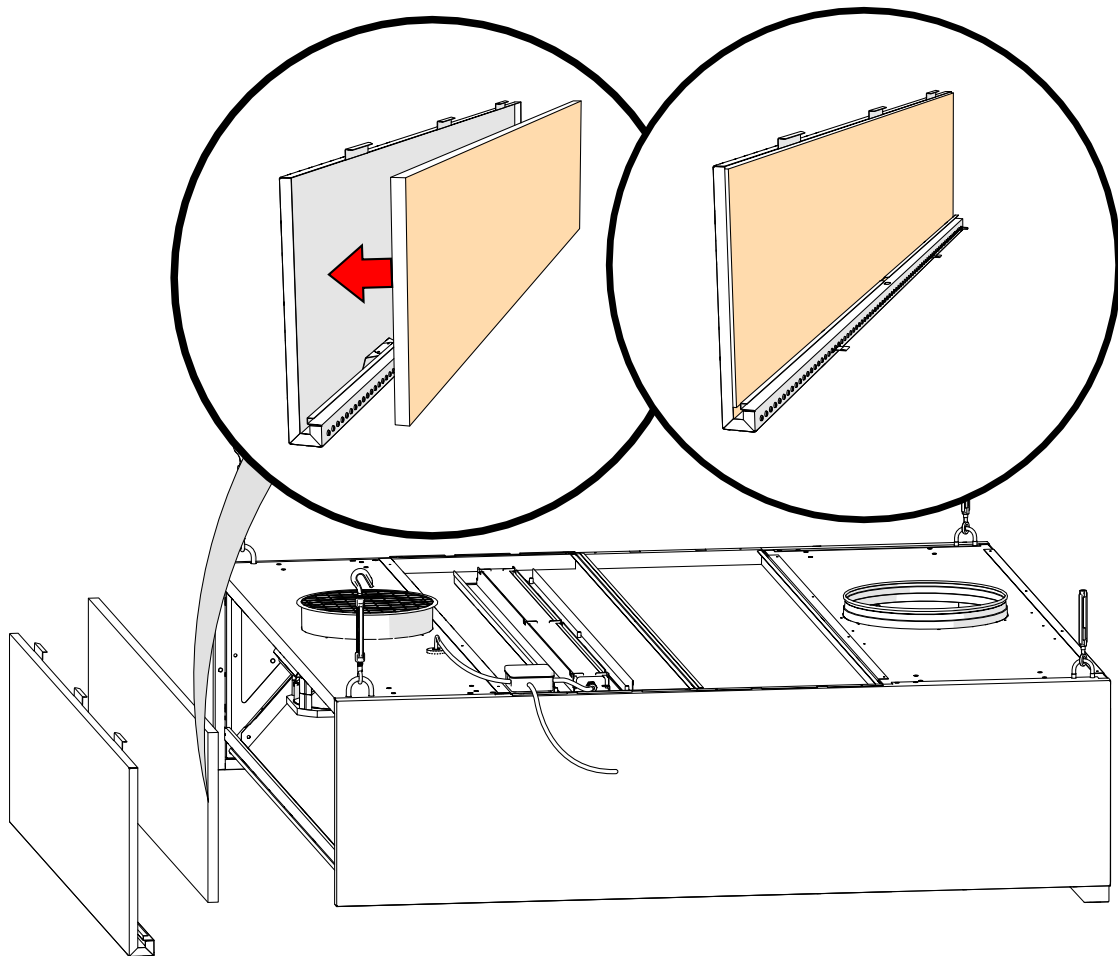
8. Attaching the potentiometer to the supply chamber ceiling

Install the potentiometer to the supply chamber ceiling with double-mounting tape.



9. Adding a sound dampener to the front panel (optional)

If desired, a sound dampening mat can be added inside the front panel to dampen the fan noise. This must be acquired by the installer.



In case of perforated front panel(s) one must find a way to turn these blind, to keep the “AirGrip” air nozzle system operational.

10. Maintenance – changing the filter

Supply air fan’s filter should be checked visually once every 3 months, in case of visible dirt, change the filter to a new one.

Filter information:

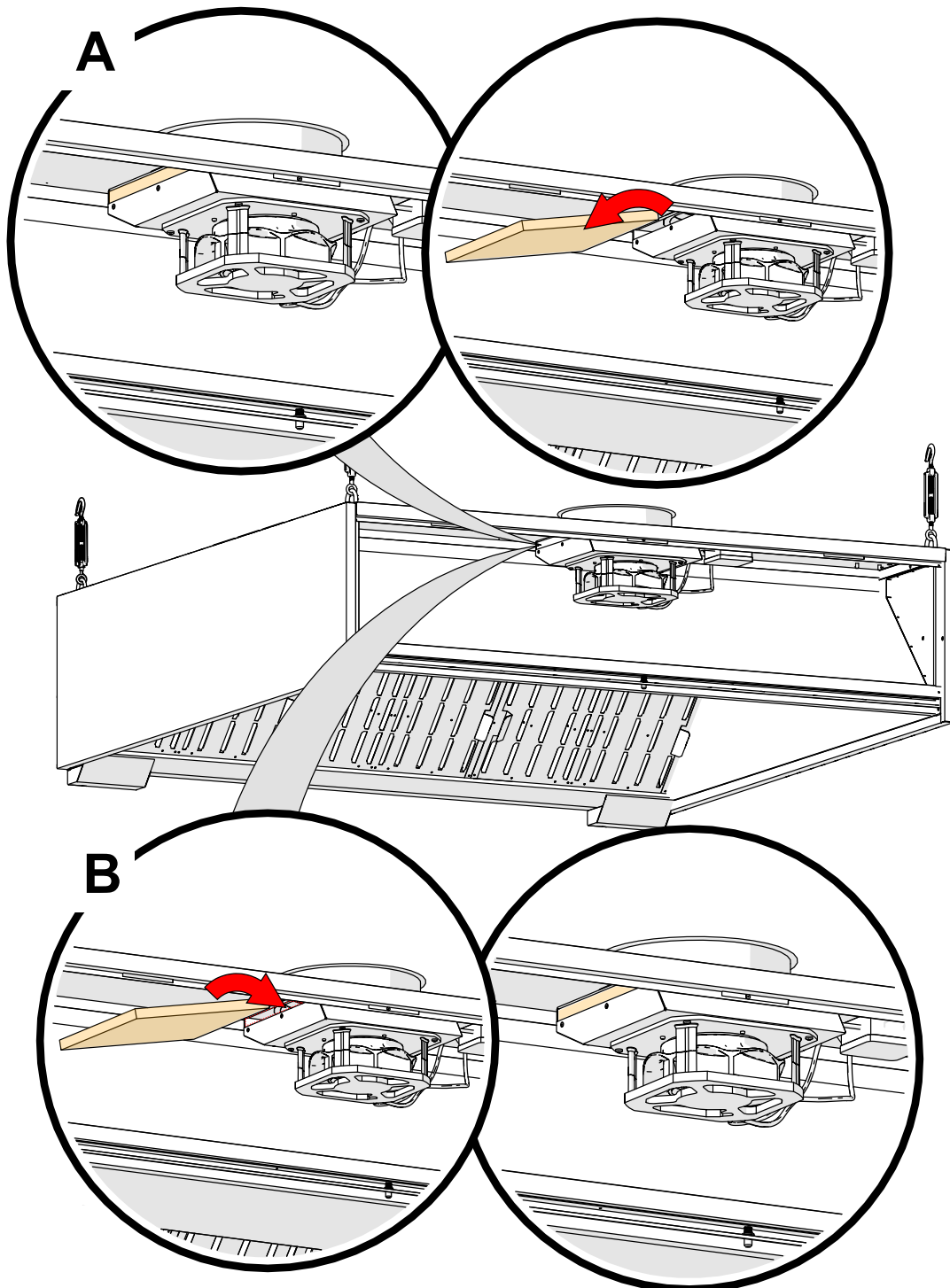
Material – EU4

Dimensions – 275x275x22 mm

SF fan packaging includes total of 4 filters. If all filters became used, then one must acquire new ones themself.

A – Removal of the filter

B – Reinstalling the filter





ETS NORD AS

Address: Peterburi tee 53
11415 Tallinn
Estonia

Phone: +372 680 7360
info@etsnord.ee
www.etsnord.ee

ETS NORD Finland

Address: Pakkasraitti 4
04360 Tuusula
Finland

Phone: +358 40 18 42 842
info@etsnord.fi
www.etsnord.fi

ETS NORD Sweden

Address: Järsjögatan 7
69235 Kumla
Sweden

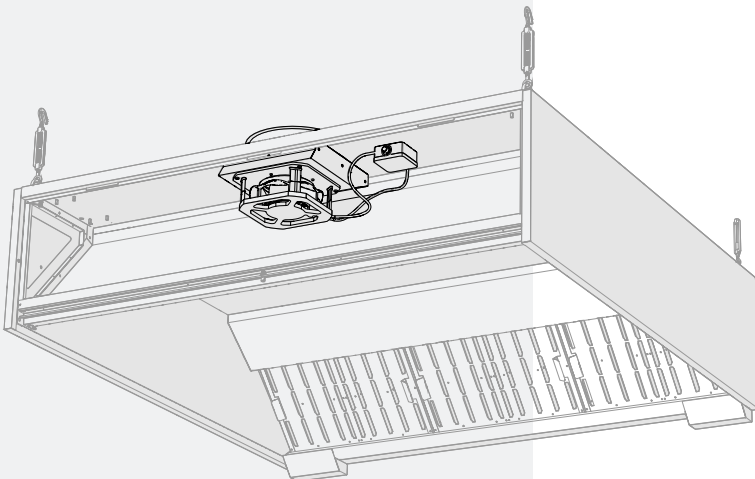
Phone: +46 19 554 20 50
info@etsnord.se
www.etsnord.se

Address: Pinjegatan 5
21363 Malmö
Sweden

Phone: +46 40-94 68 70
info@etsnord.se
www.etsnord.se

ETS NORD International

info@etsnord.com
www.etsnord.com



Let's move the air together!