

NORDfan

SEPU Wall Fan - Installation, Maintenance and
Commissioning Instructions

Content

Product description and delivery contents	3
Installation	3
Size of the hole and frame	3
Fixing the frame	4
Fan installation	5
Manual opening	6
Dimensions	6
Motor power and currents	7
Fixing additional cladding to SEPU wall hatch	7
Max weights of the cladding	7
Cladding fixing points	7
Electrical installation	8
Fan	8
Opening device	8
Limit indications	8
Commissioning	9
Maintenance	9
Spare parts	9
Errors	9
Product code	10

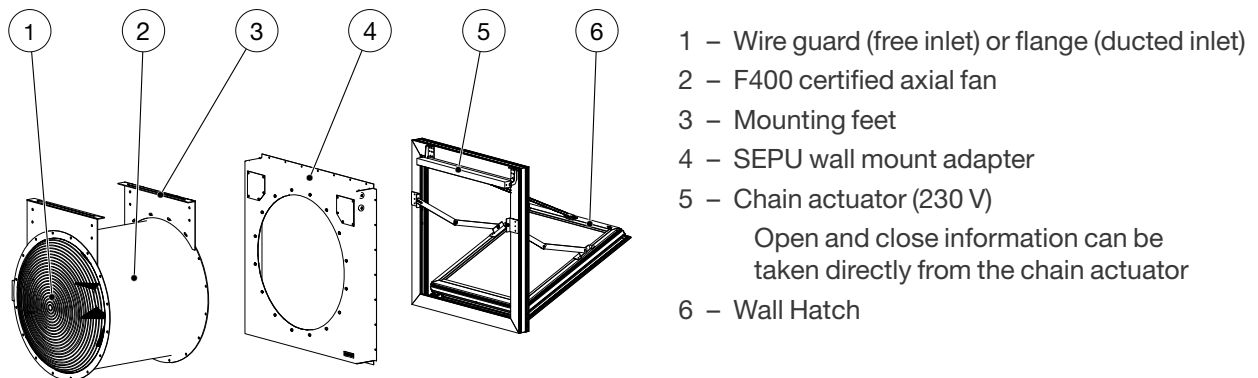
Product description and delivery contents

SEPU is a CE-marked wall attachable mechanical smoke extraction unit. When smoke extraction is turned ON, the hatch starts to open immediately. After 30 seconds the smoke extraction fan will be powered. All devices are tested before delivery. The hatch itself can be painted with the same color as the facade. Some facade elements can also be attached to the surface of the hatch with certain restrictions.

SEPU unit can also be used as a supply air.

The delivery contents are illustrated in figure 1. The unit is delivered in one platform. Safety switches are sold separately.

ETS NORD Smoke Extraction Control unit (SPMK+SPOK) completes the SEPU Wall Fan unit as a one functioning Smoke Extraction system.



When receiving the package, check if there is any damage after the transportation.

If there is any, please contact ETS NORD immediately.

Installation

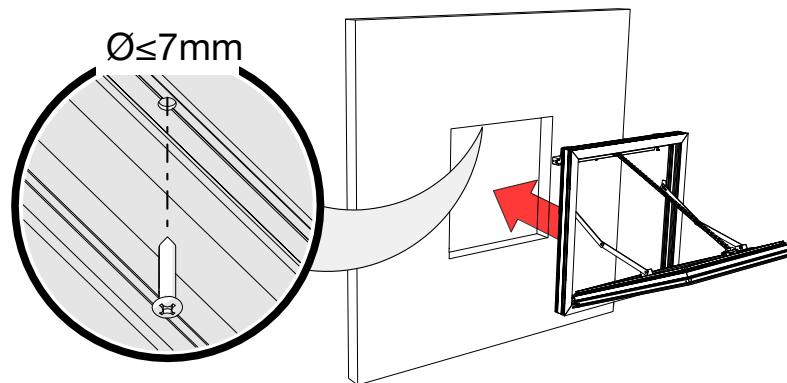
All the product components are delivered in one platform. The opening device is attached into the hatch.

Size of the hole and frame

The hole must be +10mm larger from each side compared to the frame.

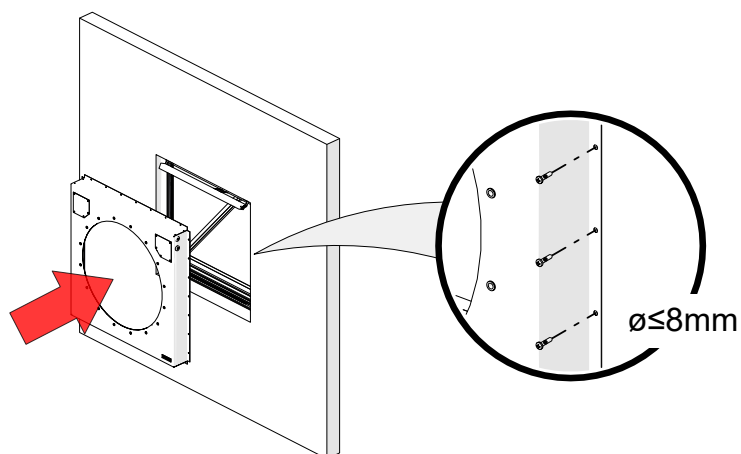
Product	Size of the hole (mm) (Size of the frame + 10 mm/side)	Dimensions of the frame (mm) (width x height)
SEPU-400	660x610	640x590
SEPU-500	710x710	690x690
SEPU-630	1010x1010	990x990
SEPU-710		
SEPU-800		
SEPU-900	1210x1210	1190x1190
SEPU-1000		
SEPU-1250	1340x1340	1320x1320

Fixing the frame



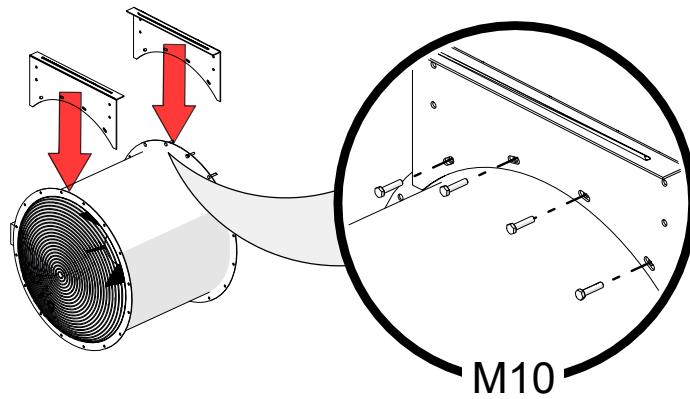
The hatch will be attached to the wall by screws. The screws are not included to the delivery. The frame has holes for the screws.

The gap between the hatch and the wall must be filled with suitable material. Install the molding outside over the fulfilled gap. Screws are not included in the delivery.

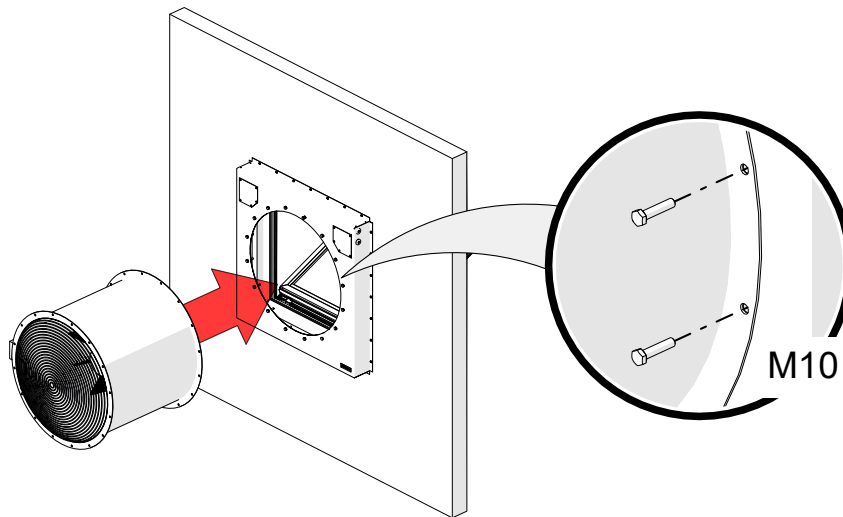


Install the SEPU wall mount adapter inside the building with screws. The adapter has holes ready for the screws. Screws are not included in the delivery. The gaps between the surface of the wall and the plate must be filled with suitable material when necessary.

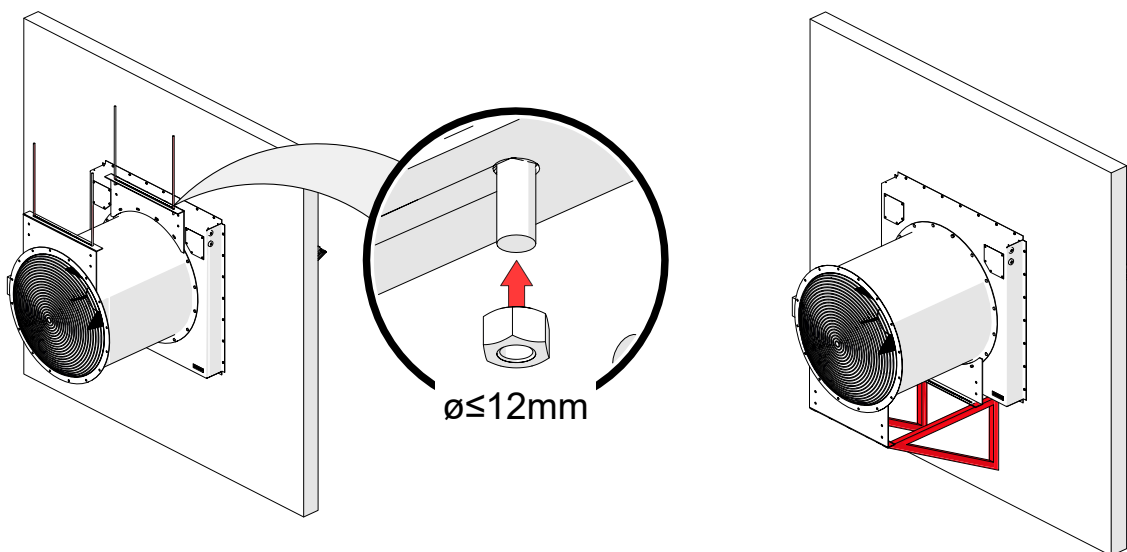
Fan installation



Install the mounting feet to the fan with bolts. Bolts are included in the delivery.

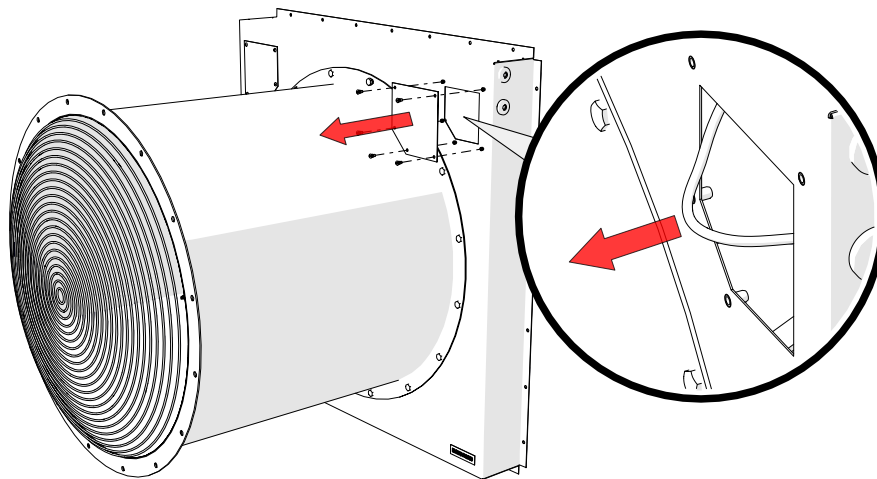


Attach the fans to the adapter with screws. Screws are not included in the delivery. Note that the adapter can't hold the weight of the fan so support structure is needed before installing the fan. Support structure is not included in the delivery.



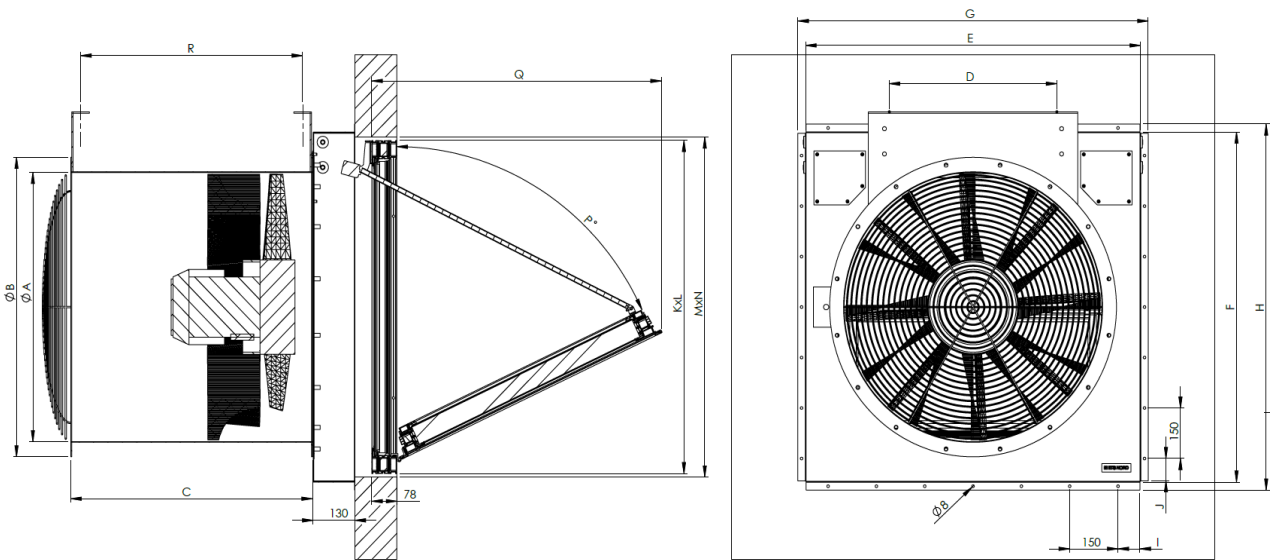
Fan can be either hunged from the roof or supported below.

Manual opening



SEPU hatch can be opened manually by pulling from the opening wire. Open the adapter cover and pull the wire.

Dimensions



	A	B	C	D	E	F	G	H	I	J	K	L	M	N	P	Q	R
SEPU-400	400	480	520	250	690	640	737,6	687,6	43	16,5	640	590	660	610	50	510	454
SEPU-500	500	590	560	325	740	740	787,6	787,6	68	66,5	690	690	710	710	52	557	494
SEPU-630	630	720	620	400	1040	1040	1087,6	1087,6	68	66,5	990	990	1010	1010	56	830	554
SEPU-710	710	800	730	450	1040	1040	1087,6	1087,6	68	66,5	990	990	1010	1010	56	830	664
SEPU-800	800	890	750	520	1040	1040	1087,6	1087,6	68	66,5	990	990	1010	1010	56	830	684
SEPU-900	900	1000	850	590	1240	1240	1287,6	1287,6	17,7	15,1	1190	1190	1210	1210	56	1000	784
SEPU-1000	1000	1100	750	670	1240	1240	1287,6	1287,6	17,7	15,1	1190	1190	1210	1210	56	1000	684
SEPU-1250	1250	1360	850	810	1415	1415	1462,6	1462,6	30,2	27,6	1320	1320	1340	1340	62	1170	782

Motor power and currents

Power	Current	Starting current	Gable gland
1,5 kW	3,2 A	21,2 A	2xM25
2,2 kW	4,6 A	29,6 A	2xM25
3,0 kW	5,9 A	41,4 A	2xM25
3,0 kW	6,1 A	38,6 A	2xM25
5,5 kW	10,3 A	77,8 A	2xM25
5,5 kW	10,4 A	84,8 A	2xM25
5,5 kW	12,5 A	80,6 A	2xM25
7,5 kW	15,5 A	116,3 A	2xM25
7,5 kW	14,3 A	113,6 A	2xM25
11,0 kW	21,2 A	169,8 A	2xM25
15,0 kW	28,6 A	170,4 A	2xM25
22,0 kW	41,9 A	310,5 A	2xM32
30,0 kW	58,9 A	425,5 A	2xM32

Fixing additional cladding to SEPU wall hatch

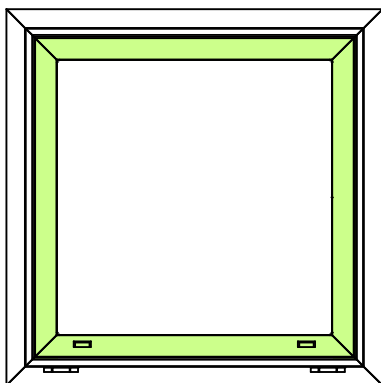
Additional cladding can be attached to SEPU wall hatch with the following limitations. Cladding can be for example façade element to make the building façade look complete. Always make sure that max weights are not exceeded, and the hatch opens and closes completely.

Max weights of the cladding

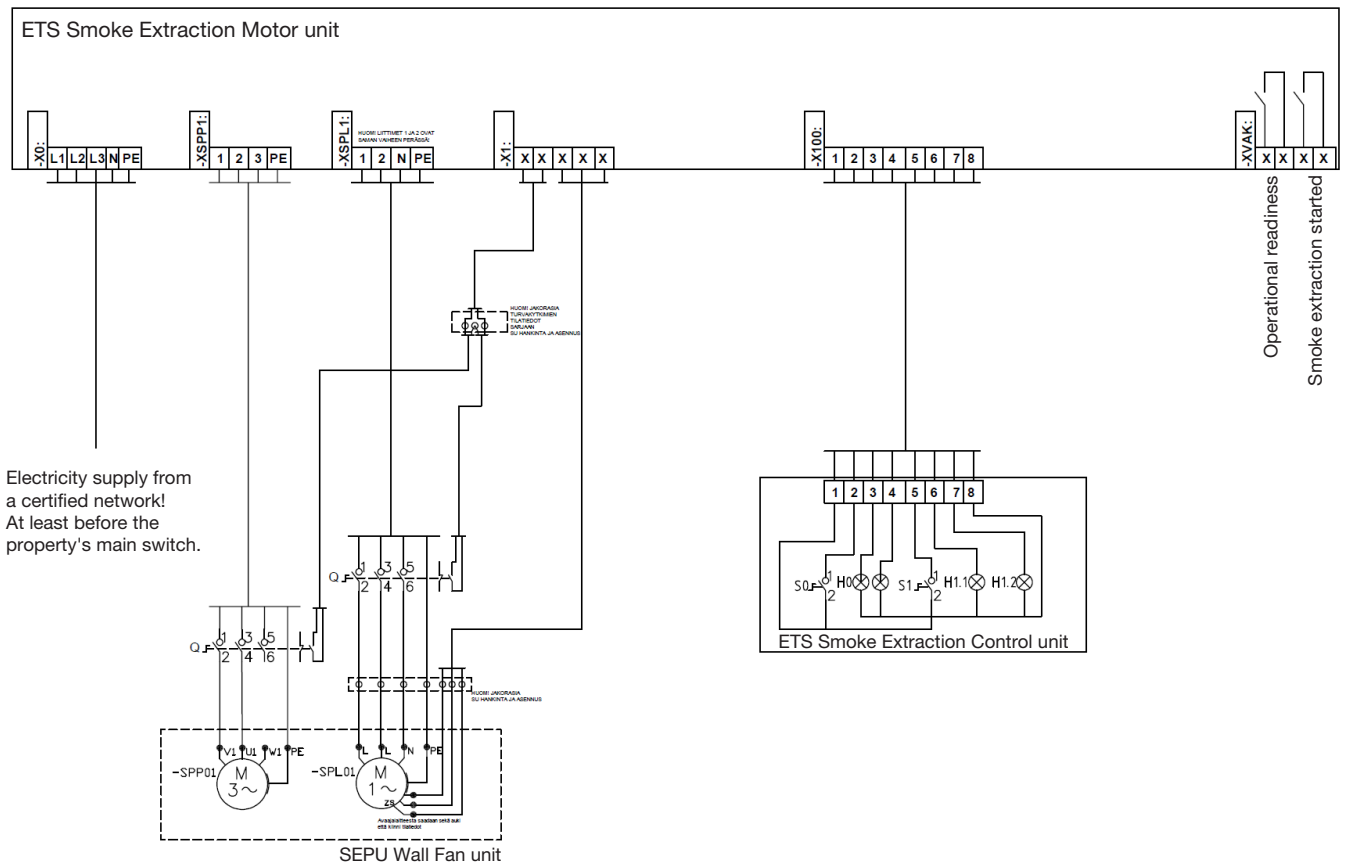
Product	Cladding max weight (kg)
SEPU-400	28,5
SEPU-500	27
SEPU-630	19
SEPU-710	19
SEPU-800	19
SEPU-900	12
SEPU-1000	12
SEPU-1250	6

Cladding fixing points

Attach the additional cladding to the aluminum profile of the SEPU hatch opening part with screws.



Electrical installation



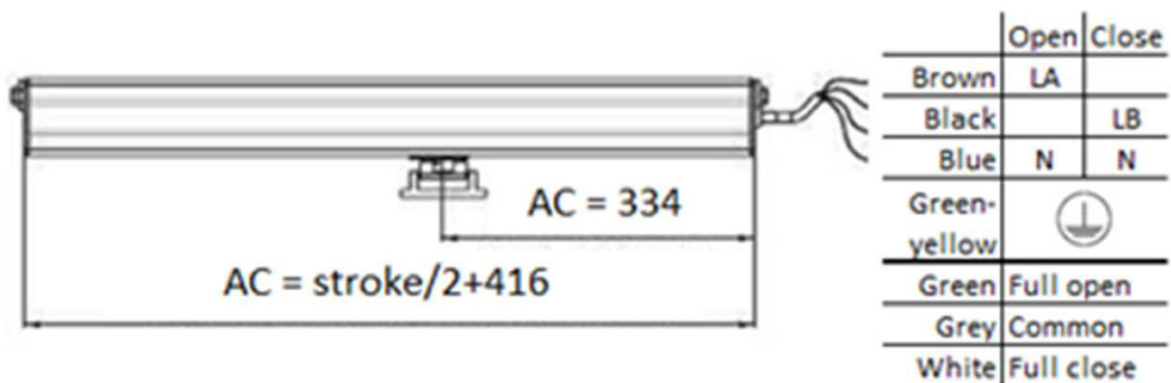
Smoke Extraction Control unit (SPMK+SPOK) completes the SEPU Wall Fan unit as one properly functioning Smoke Extraction system.

Fan

Electrical installation of the fan by the separate instructions.

Opening device

Coupling by the following instructions



Limit indications

Both open and close limit indications are provided straight from the opening device

Commissioning

- Before use make sure that:
 - the impeller rotates smoothly and there is no abnormal noise.
 - the hatch has no obstacles on its runway.
 - the supply air is provided.
 - the extraction direction of the fan is correct.
 - that the delay of the start is minimum 30 seconds.
- Turn the safety switch of the fan or turn the fuse of the fan OFF. Make sure that the fan will not be powered.
- Make sure the supply air is provided!
- Turn ON the smoke extraction:
 - observe that the Hatch will get fully open, and the power of the hatch will be shutten down in 180 seconds. After this turn OFF the smoke extraction.
- Let the fan be powered.
- Turn ON the smoke extraction again:
 - observe that the fan is rotating correct direction.
 - observe that there is no abnormal noise, and that the vibration is within normal limits.
- Let the fan run 30 minutes so the bearings will be lubricated correctly.
- If any abnormal behavior is observed, turn the power OFF immediately.

Maintenance

Annual testing interval can be defined by the authorities. If there is no annual testing interval defined, the SEPU unit must be tested every 6 months.

- Make sure that the supply air is provided
- Observe if the hatch does not open completely
- Observe if there is any misbehavior in the fan. Such as wrong direction, abnormal noise, or vibration
- Let the fan run 30 minutes minimum so the bearings will be lubricated correctly.

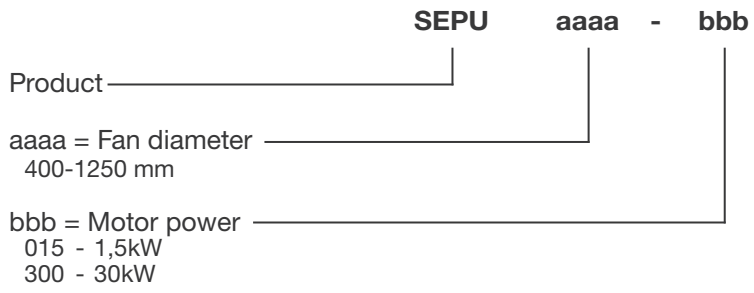
Spare parts

Contact ETS NORD.

Errors

More instructions are available in ETS NORD fan installation, maintenance, and commissioning instructions. Contact ETS NORD

Product code



Example: SEPU 1000-110

Fan diameter = 1000 mm

Motor power = 11 kW



ETS NORD AS

Address: Peterburi tee 53
11415 Tallinn
Estonia
Phone: +372 680 7360
info@etsnord.ee
www.etsnord.ee

ETS NORD Finland

Address: Pakkasraitti 4
04360 Tuusula
Finland
Phone: +358 401 842 842
info@etsnord.fi
www.etsnord.fi

ETS NORD Sweden

Address: Järsjögatan 7
69235 Kumla
Sweden
Phone: +46 19 554 20 50

Address: Pinjegatan 5
21363 Malmö
Sweden
Phone: +46 40-94 68 70
info@etsnord.se
www.etsnord.se

ETS NORD International

info@etsnord.com
www.etsnord.com



Let's move the air together!