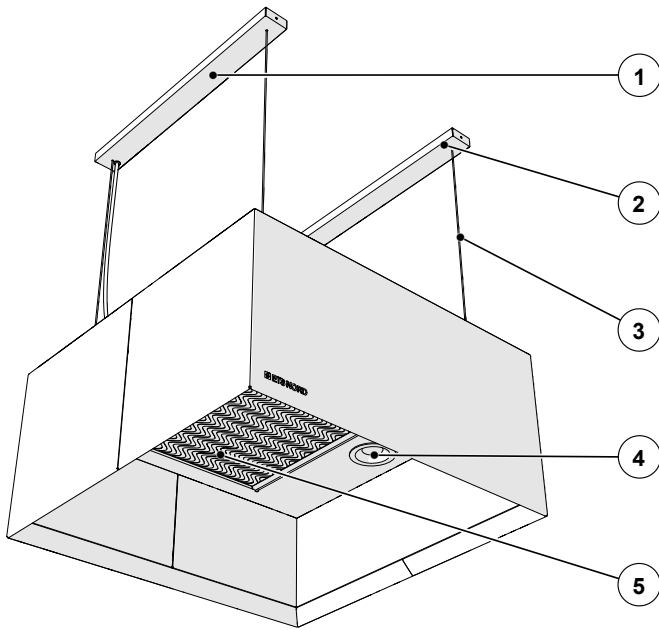


NORDcanopy

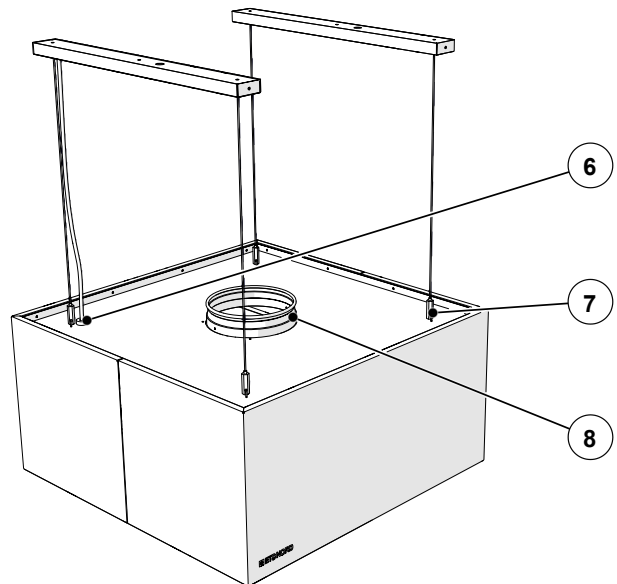
HP Installation and maintenance manual

Table of Contents

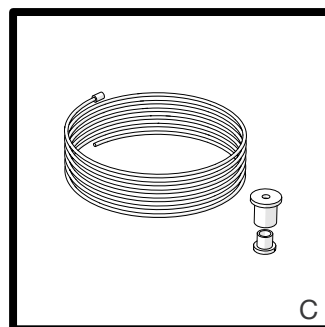
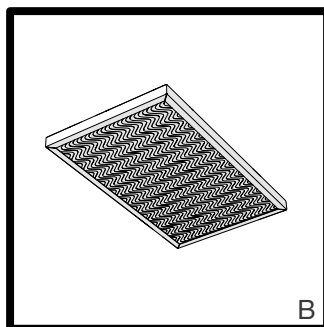
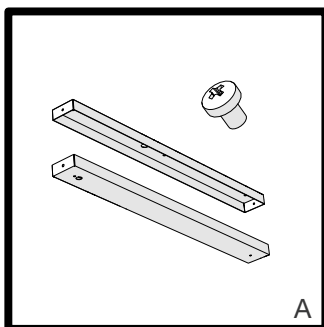
1. Safety	4
2. Installing the canopy	5
3. Lighting connection	8
4. Accessories	9
5. Kitchen Canopy maintenance	12



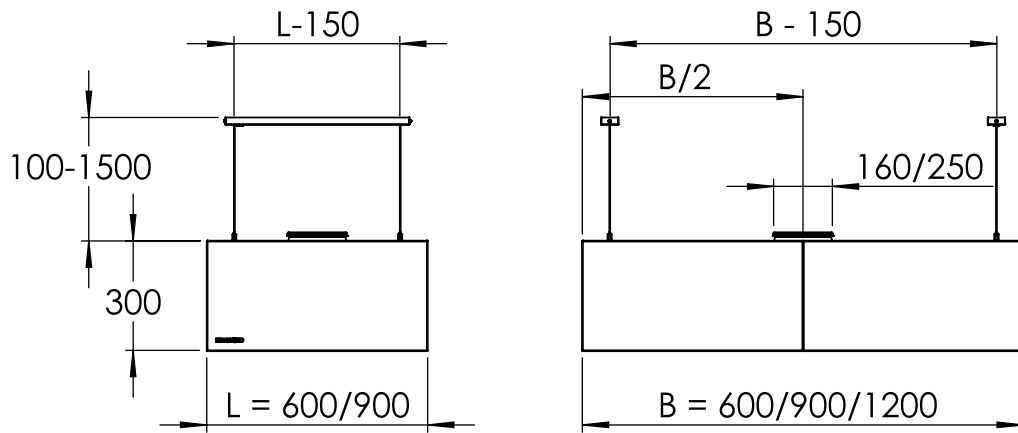
- 1 – Ceiling bracket
- 2 – Electric cable bushing
- 3 – Suspension wire
- 4 – LED spotlight
- 5 – Filter
- 6 – Electric cable bushing
- 7 – Suspension adjustment point
- 8 – Exhaust air connection



In the kit:

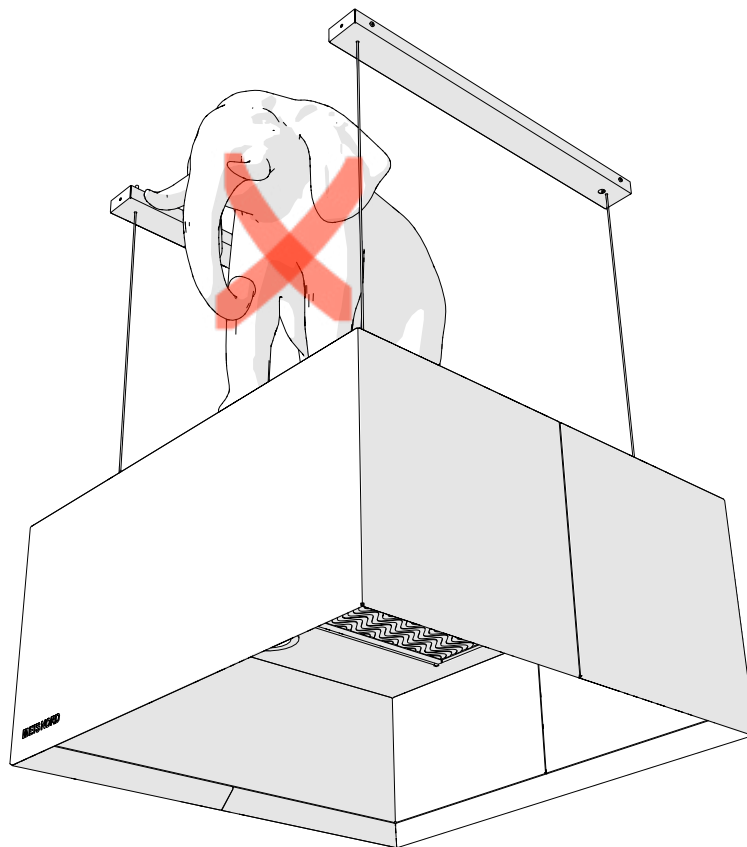


- A – Ceiling mounting box + 4 screws
- B – Grease filter
- C – Suspension wire + 4 × wire ceiling mount



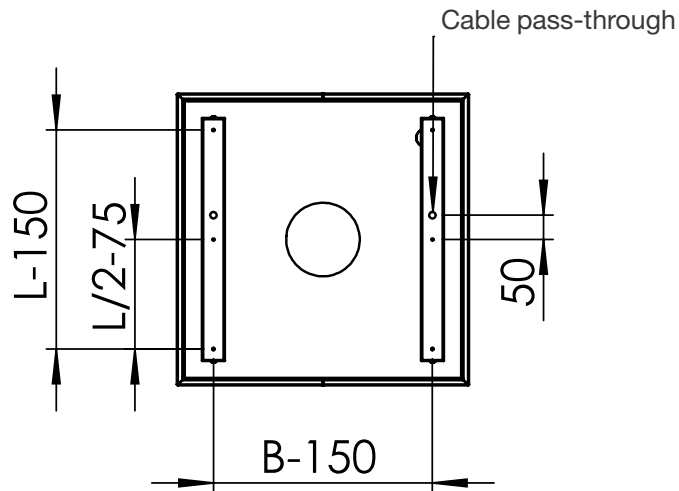
1. Safety

It is prohibited to place any additional items of weight on the top of the canopy.

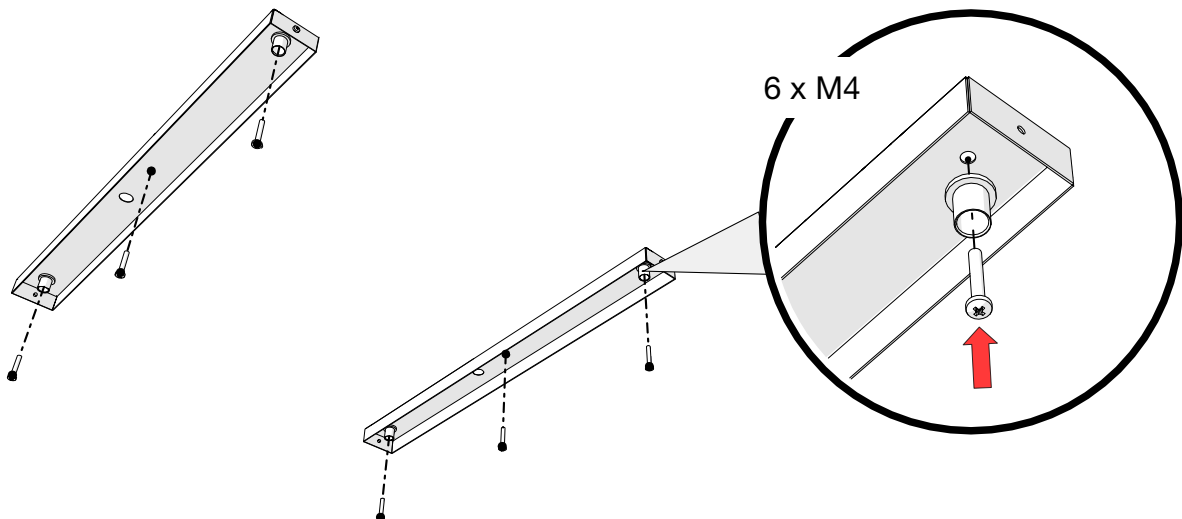


2. Installing the canopy

Relative positions of ceiling bracket mounting and electrical cable pass-through holes

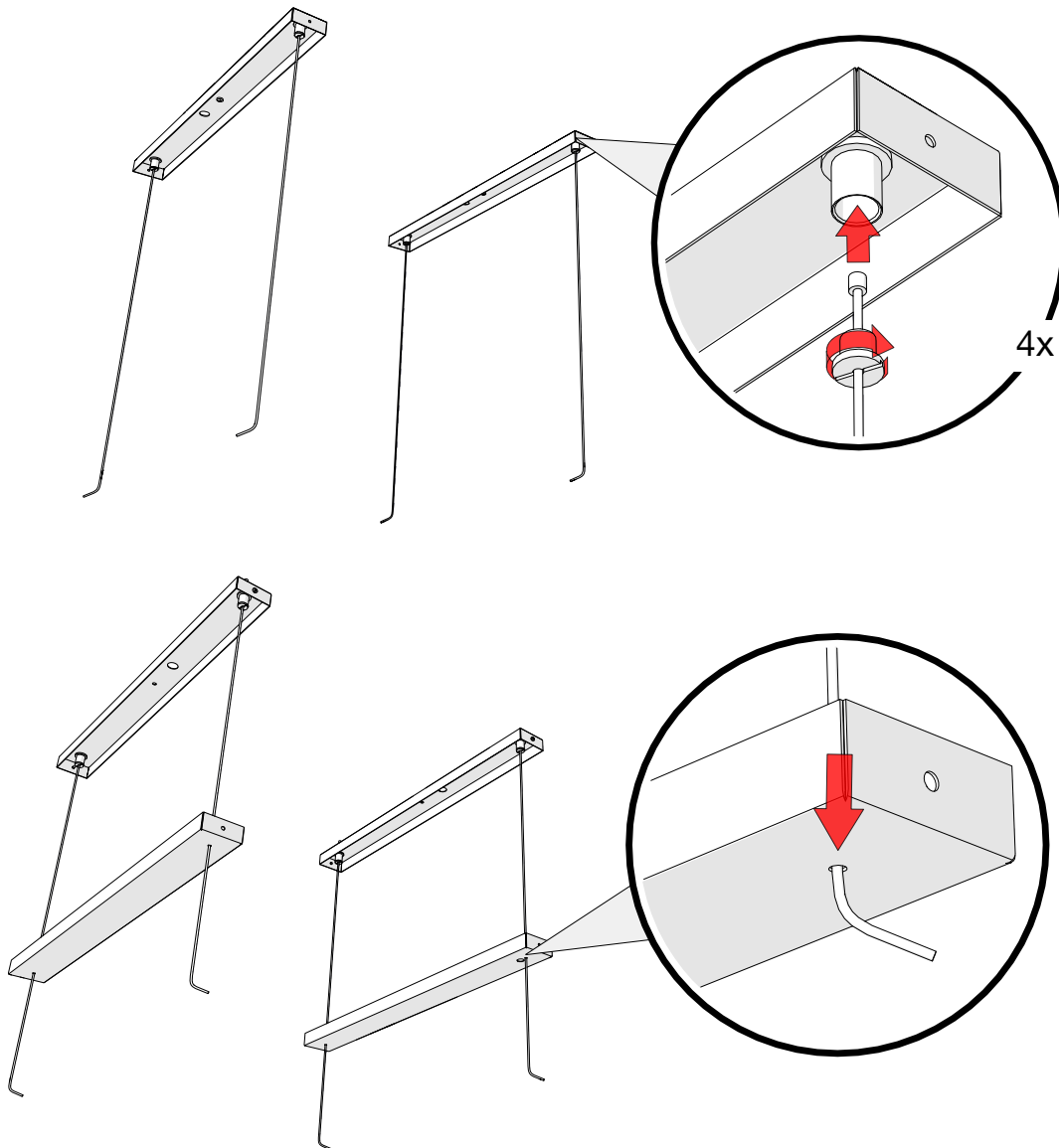


2.1 Fasten the ceiling brackets to the ceiling

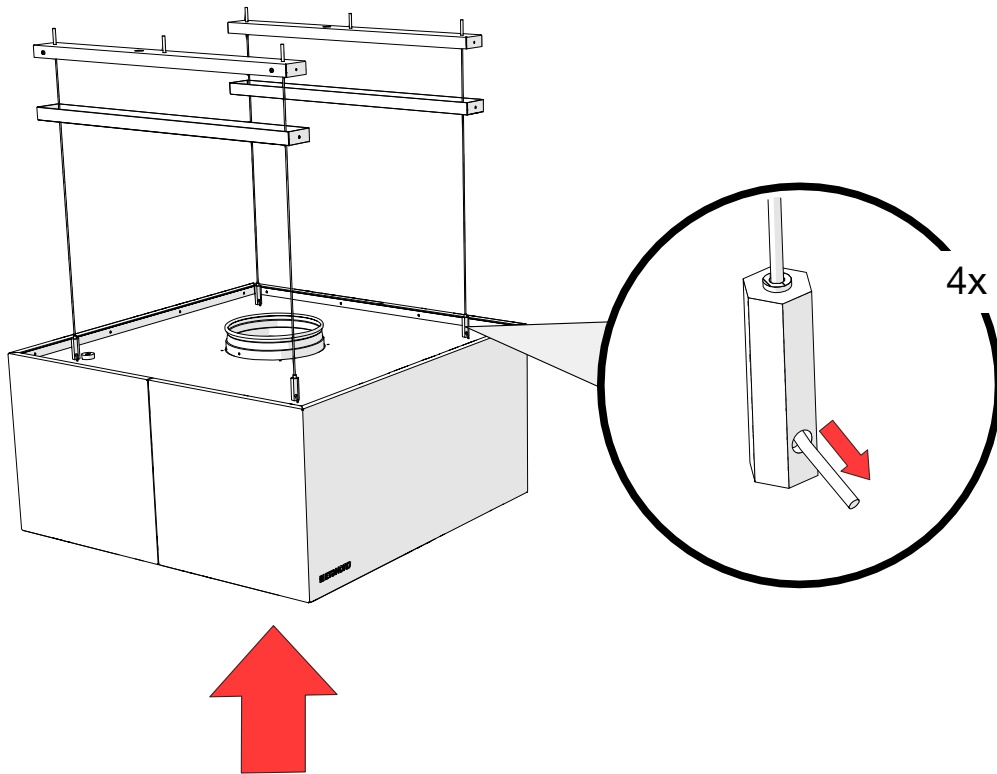


**ATTN! Choose appropriate fastening devices depending on the ceiling type
Diameter of the mounting holes in the ceiling bracket are 4.5mm.**

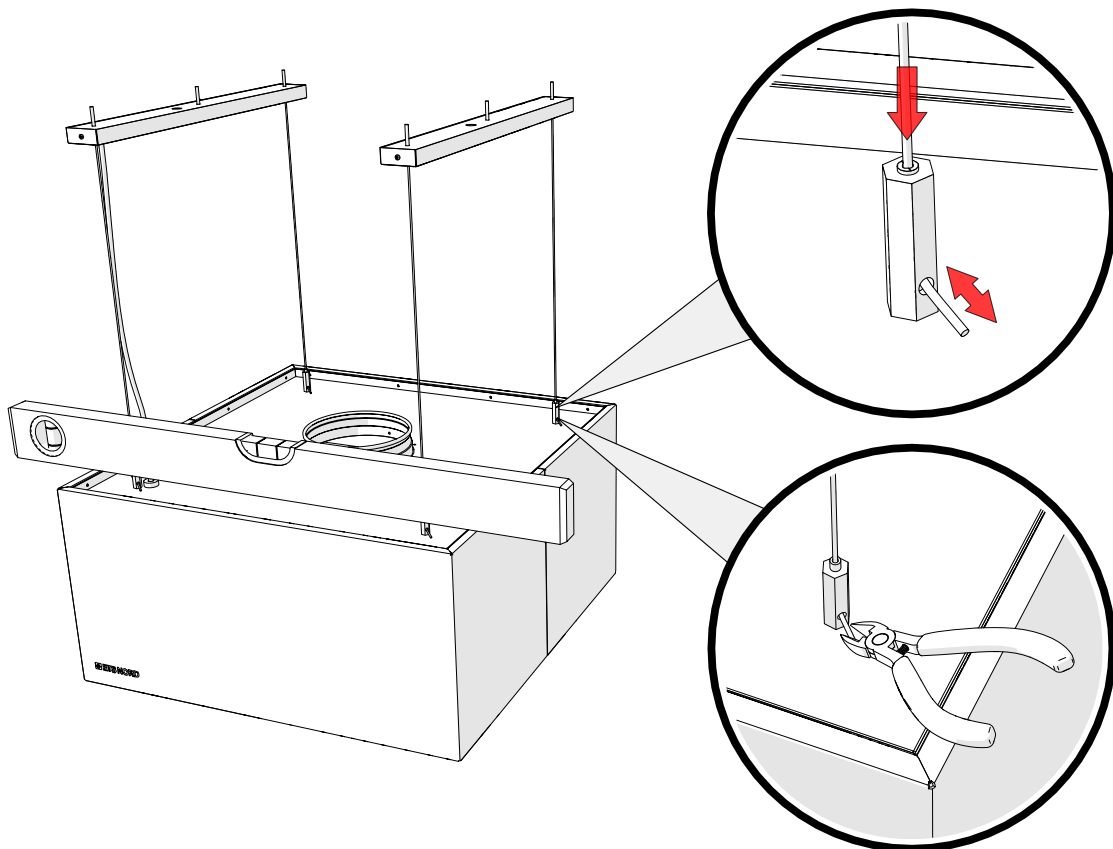
2.2 Hanging the suspension wires



2.3 Hanging the canopy

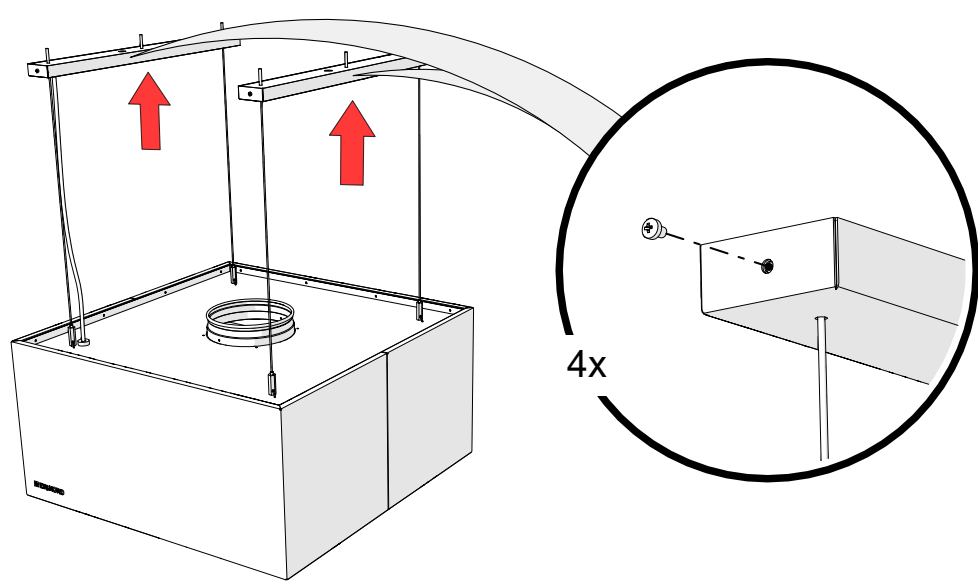
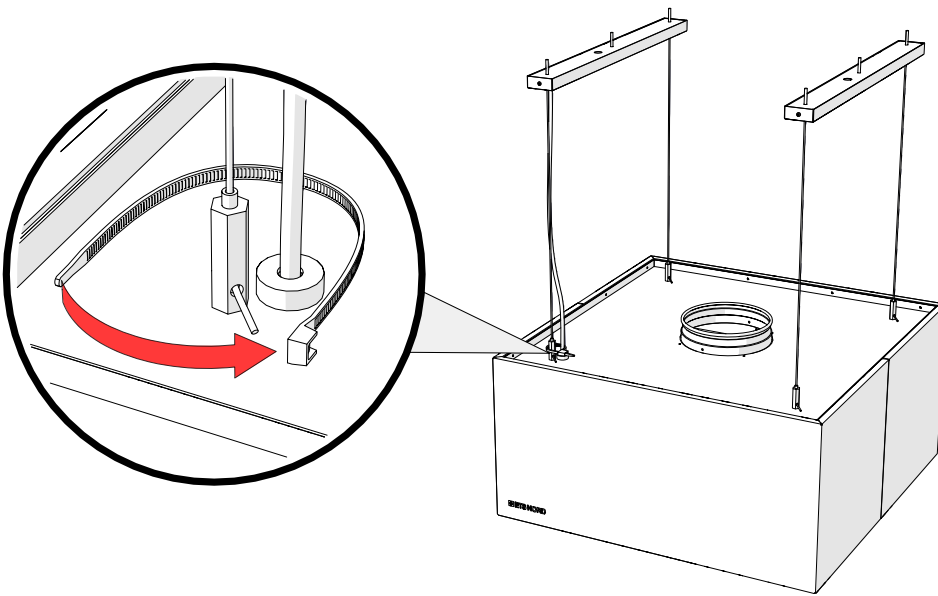
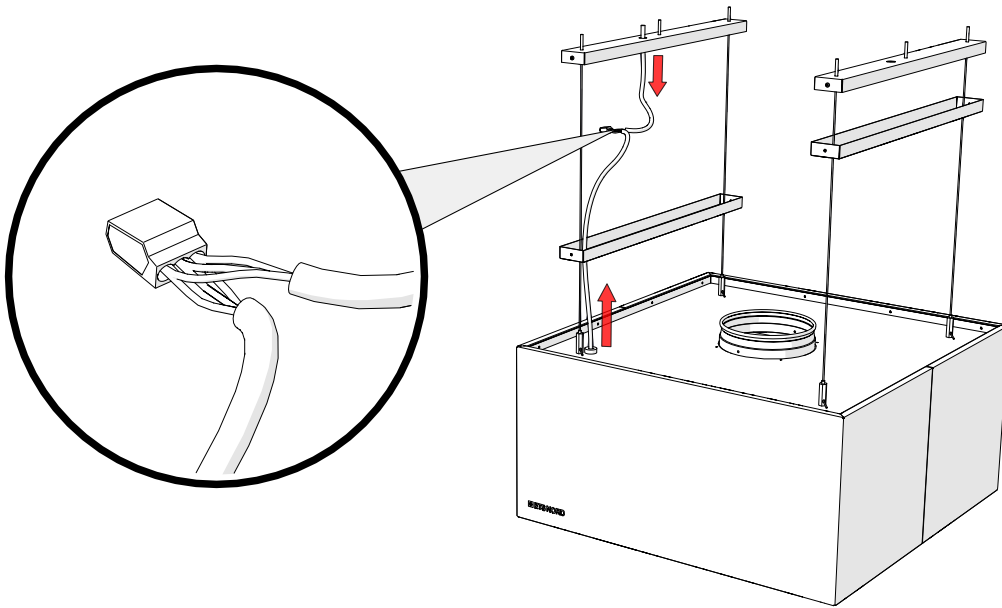


2.4 Leveling the canopy



After the canopy has been leveled and is in its correct final resting position, you may then snip off unused cable.

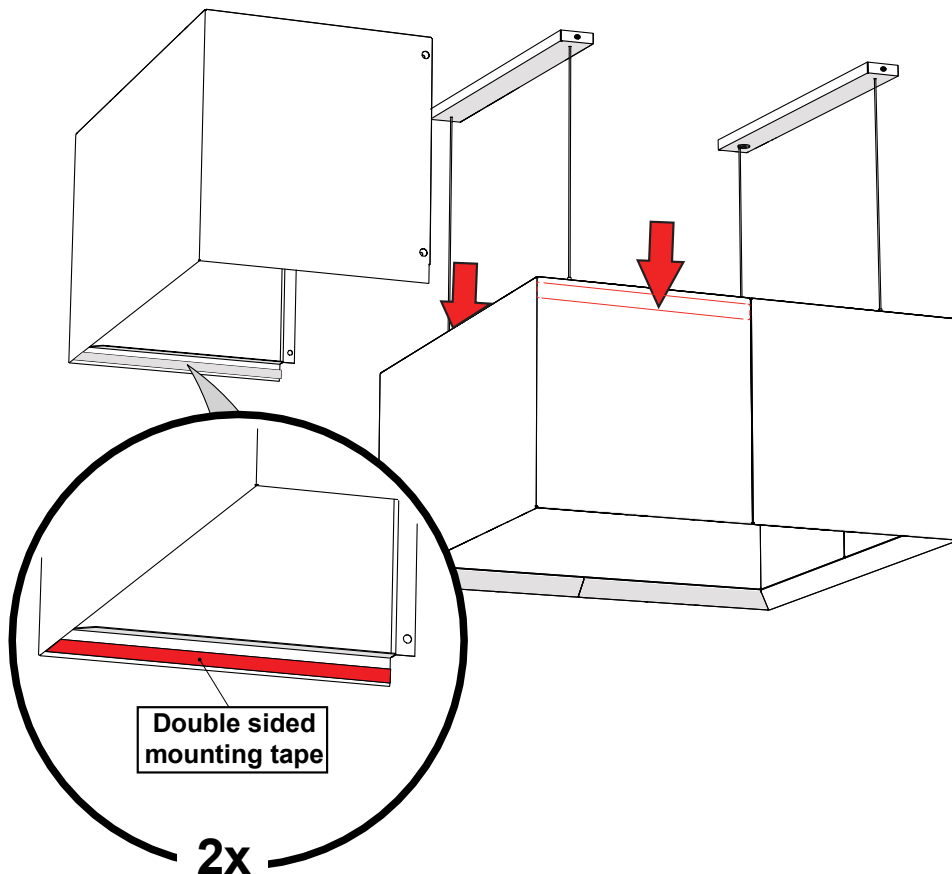
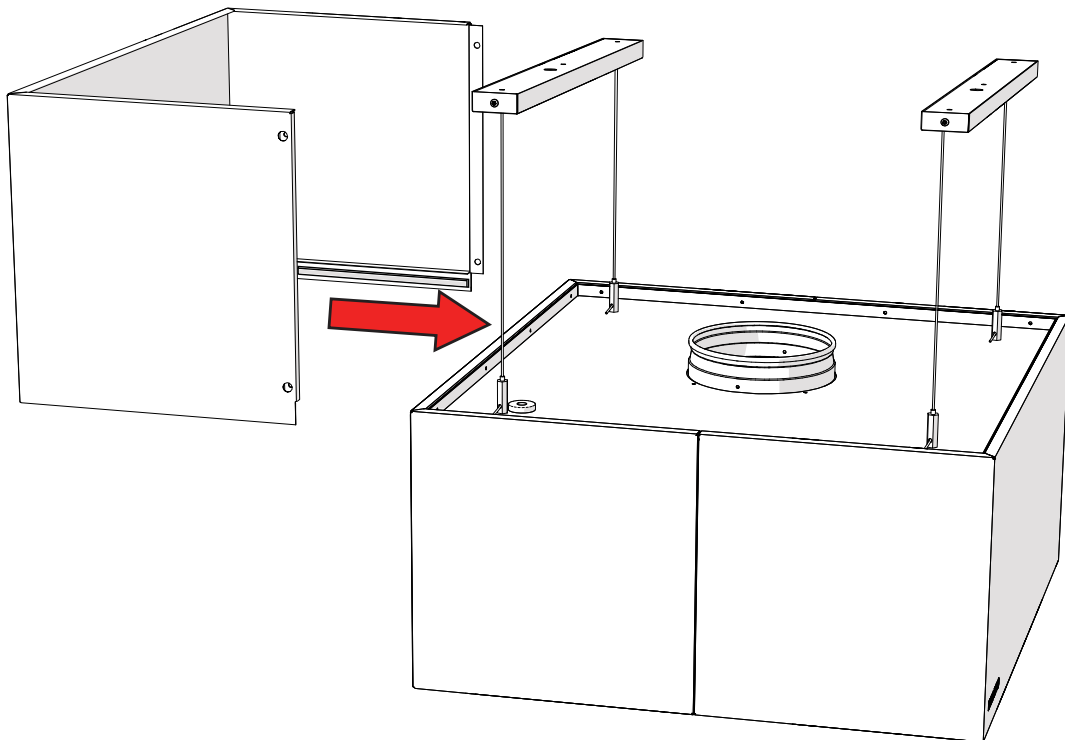
3. Lighting connection

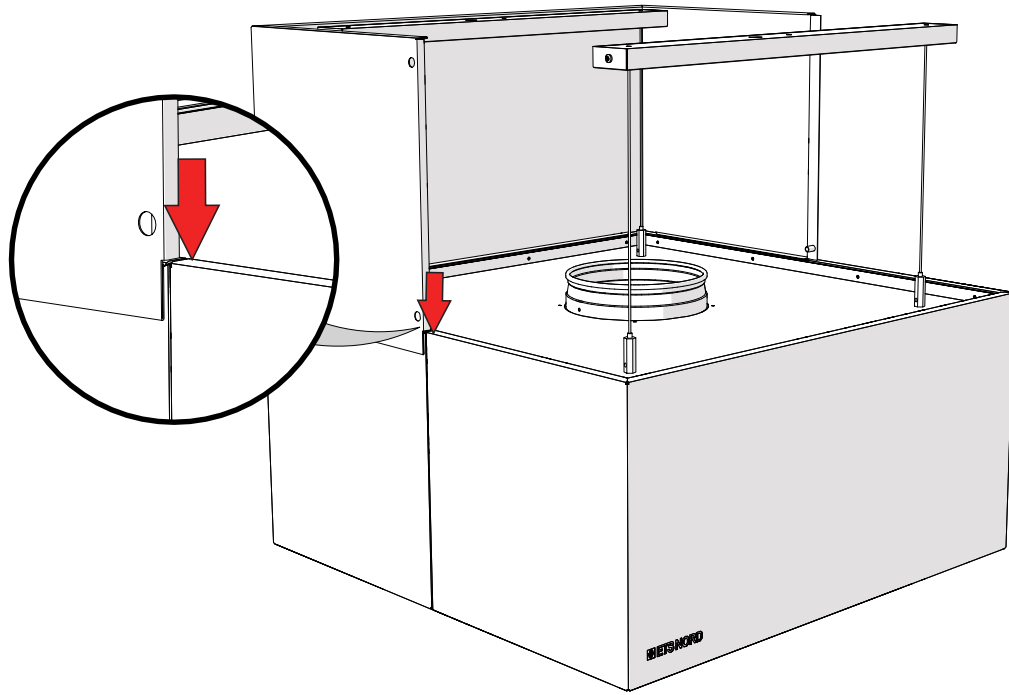


4. Accessories

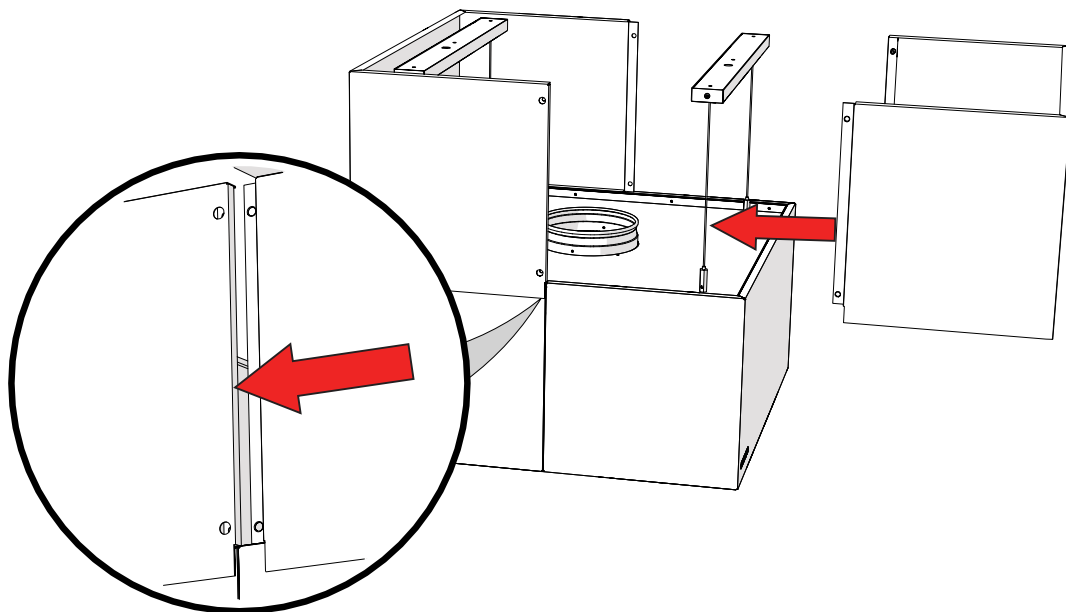
4.1 Installation of cover plates

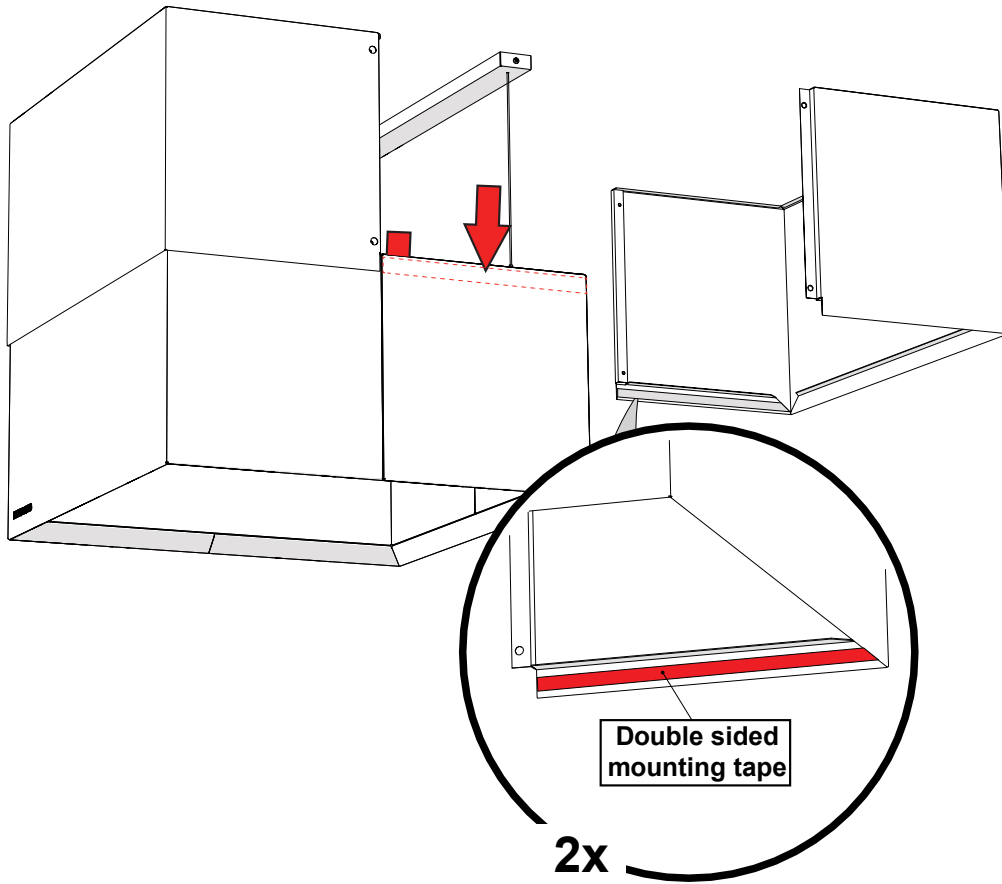
A



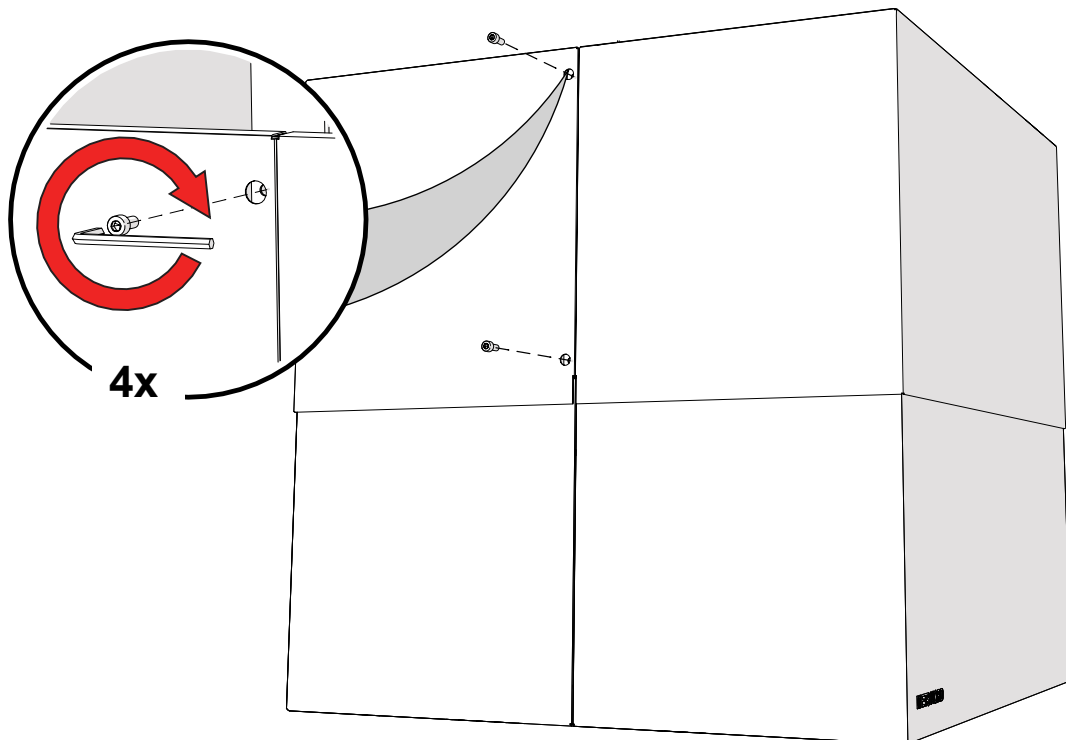


B



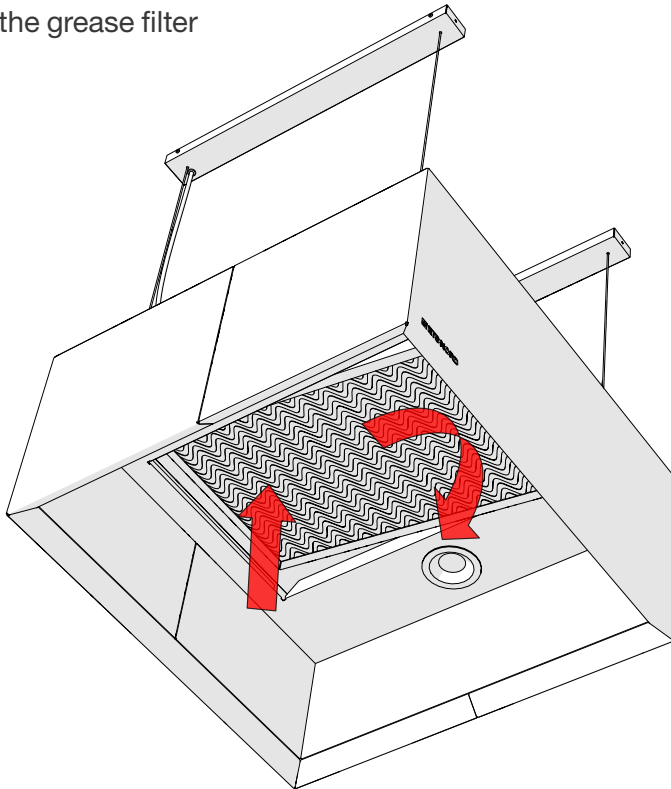


C

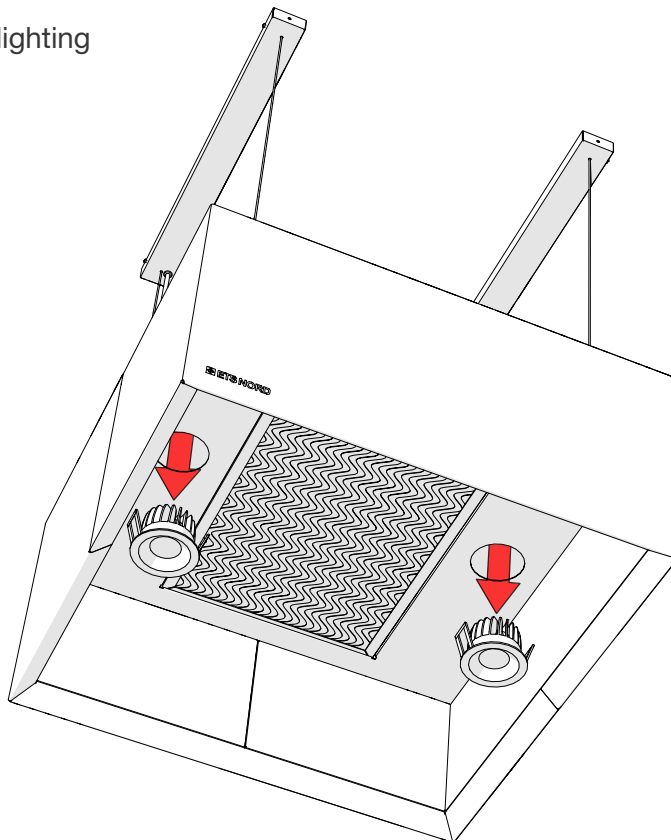


5. Kitchen Canopy maintenance

5.1 Removing the grease filter



5.2 Spot LED lighting



Spot LED lighting is fastened with spring clips on the top surface of the canopy ceiling. For replacing the luminaire, it should be pulled downward from the canopy ceiling.

5.3 Kitchen Canopy Maintenance

All internal and external surfaces of the kitchen canopy, including light fixtures, are cleaned using neutral cleaning agents. Carefully rinse the surfaces after cleaning, in order to avoid harmful interactions of cleaning agents and high temperatures.

ATTN! Do not use hard or abrasive detergents, chlorine or bleach when cleaning the canopy!

Recommended daily:

Never clean the kitchen canopy when any of its surfaces are hot. To clean the grease filter it must be removed from the kitchen canopy. It may be washed by hand, in a dishwasher, or steam-cleaned. Liquid grease must always be disposed of using methods approved according to local regulations.



ETS NORD AS

Address: Peterburi tee 53
11415 Tallinn
Estonia
Phone: +372 680 7360
info@etsnord.ee
www.etsnord.ee

ETS NORD Finland

Address: Pakkasraitti 4
04360 Tuusula
Finland
Phone: +358 401 842 842
info@etsnord.fi
www.etsnord.fi

ETS NORD Sweden

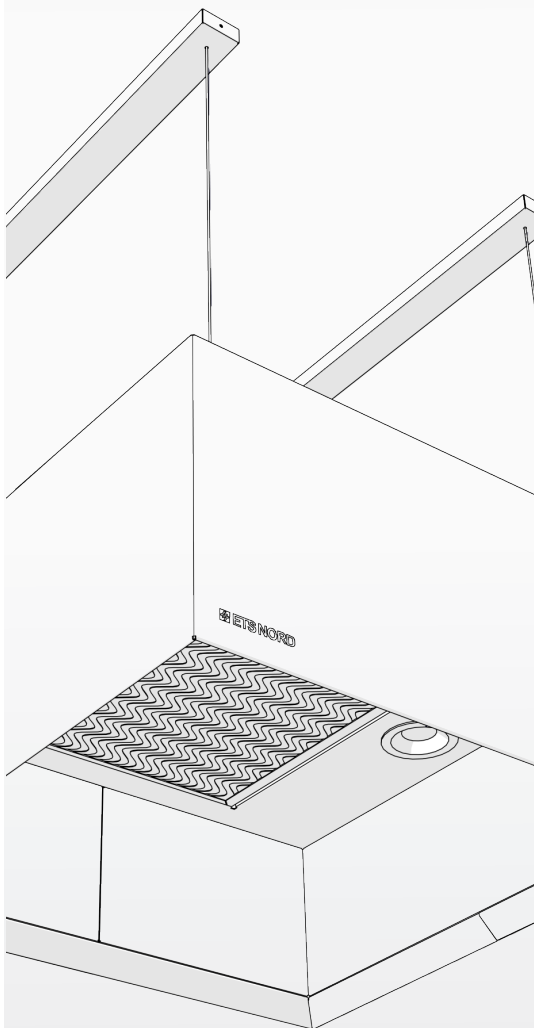
Address: Järsjögatan 7
69235 Kumla
Sweden
Phone: +46 19 554 20 50
Address: Pinjegatan 5
21363 Malmö
Sweden
Phone: +46 40-94 68 70
Address: Förrådsvägen 5
151 58 Södertälje
Sweden
Phone: +46 8 550 301 40
info@etsnord.se
www.etsnord.se

ETS NORD International

info@etsnord.com
www.etsnord.com

ETS NORD Ventilation Manufacturing LLC UAE

Sepin Rayo
sepin.rayo@etsnord.com
+971 5257 02916



Let's move the air together!