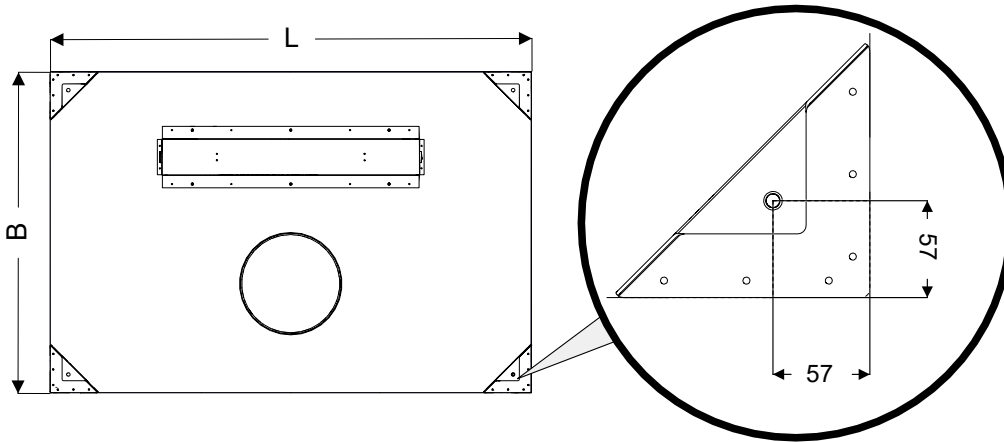
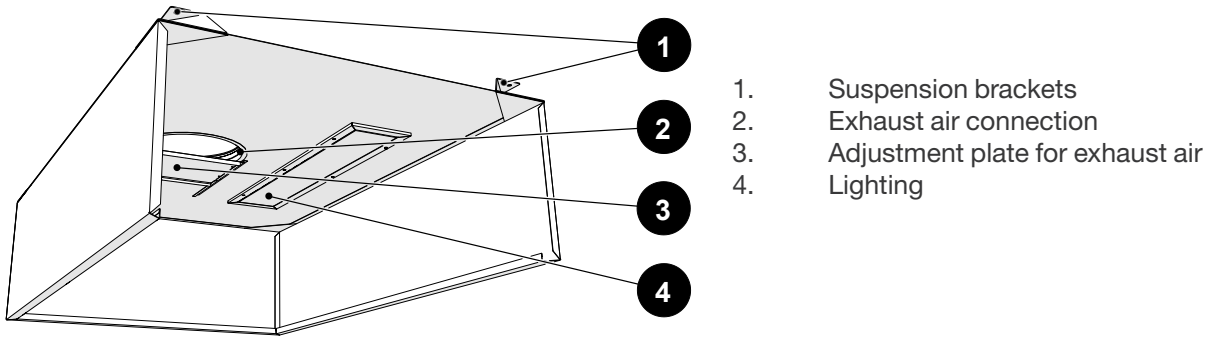


NORDcanopy

HT Installation, use and maintenance manual

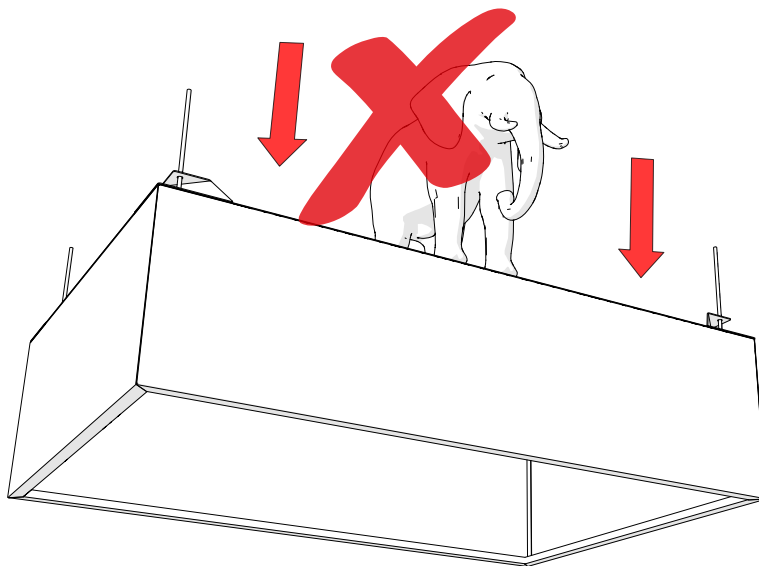
www.nordcooking.com

Installation, use and maintenance manual



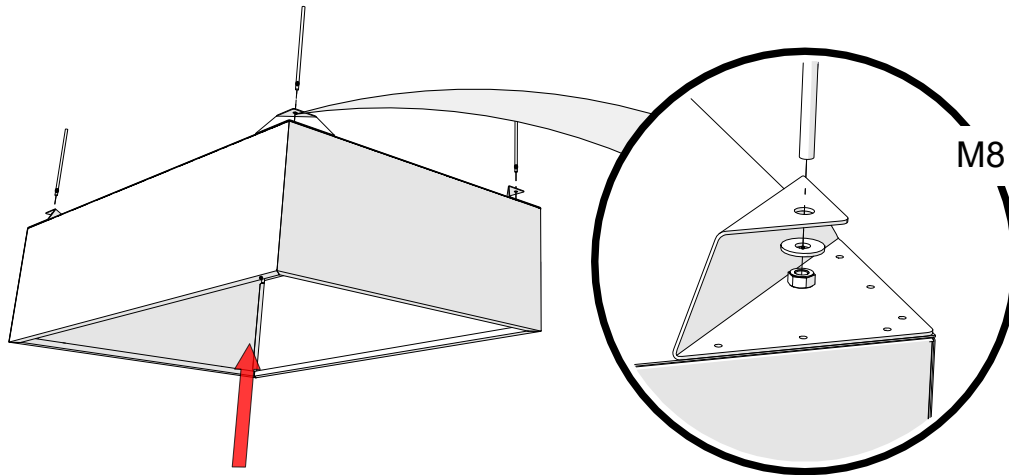
Safety

It is prohibited to hold or add additional weight on the top of the canopy.

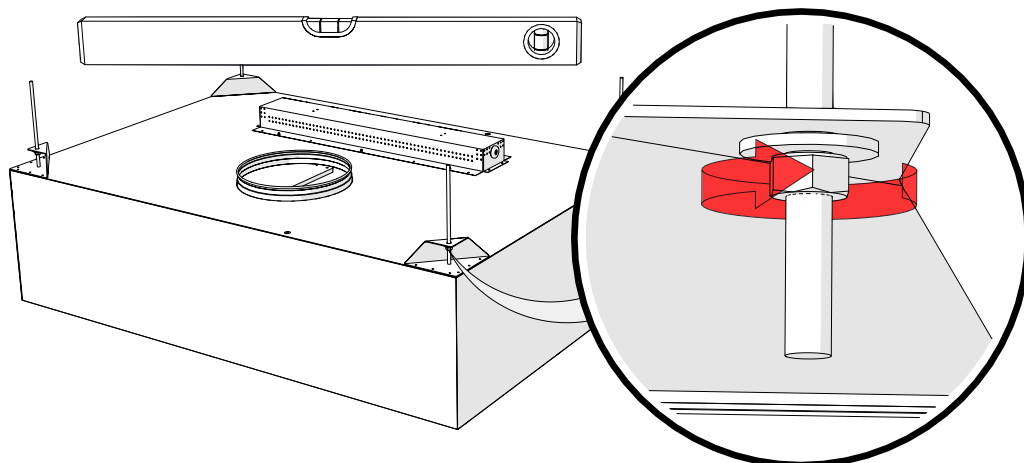


1. Hanging the canopy

With larger canopies, removing the center ceiling panel can provide better access for exhaust duct and insulation installation.

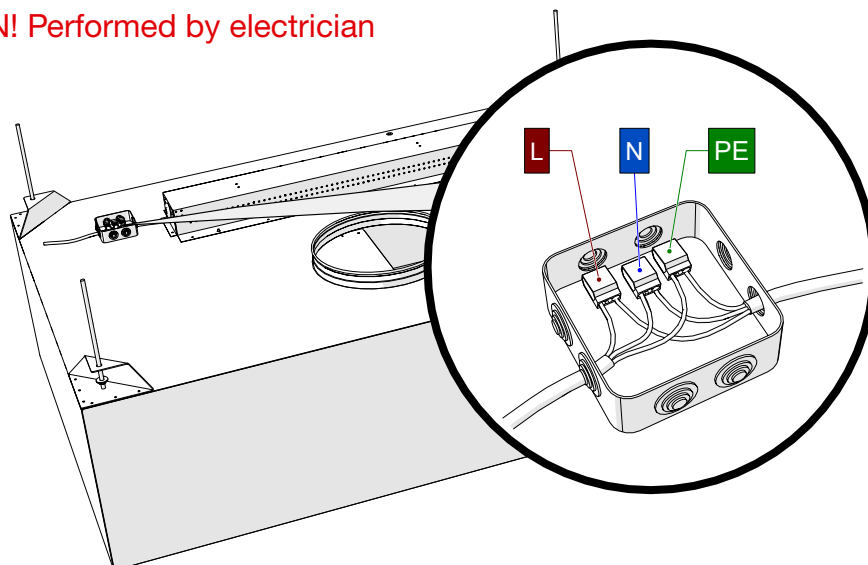


2. Leveling the canopy

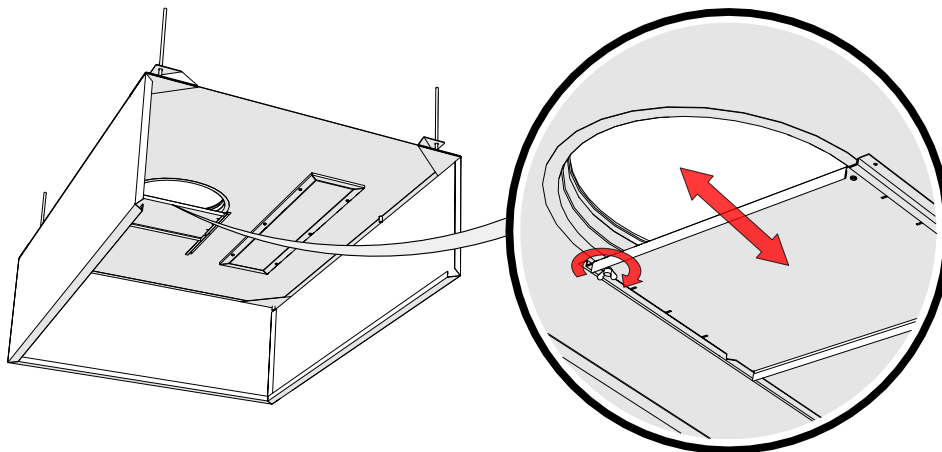


3. Lighting connection

ATTN! Performed by electrician



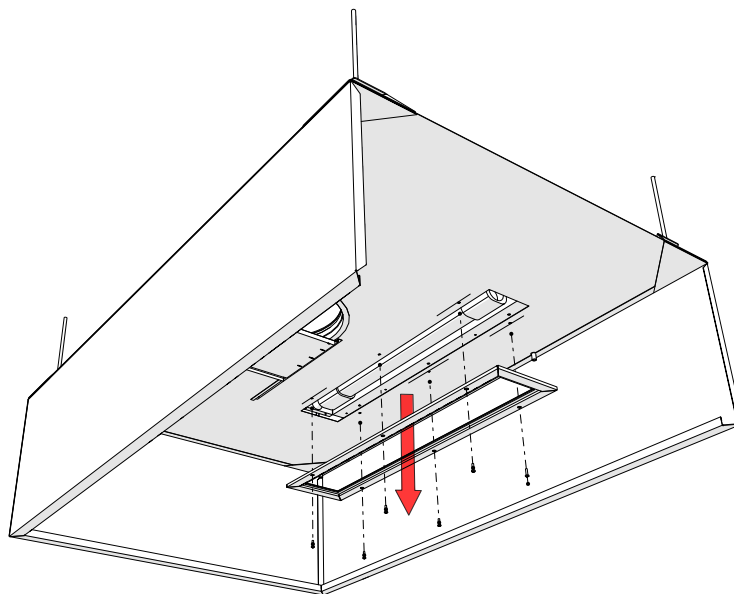
4. Adjusting airflow



5. Replacing the luminaires

NORDcanopy products use integrated light fixtures with protection class IP 66.

To remove luminaires, fastening screws of the protective glass are unfastened and the glass is removed.



6. Canopy maintenance

All internal and external surfaces of the canopy, including light fixtures, are cleaned using neutral cleaning agents. Carefully rinse the surfaces after cleaning, in order to avoid harmful interactions of cleaning agents and high temperatures.

ATTN! Do not use hard or abrasive detergents, chlorine or bleach when cleaning the canopy!

Never clean the canopy when any of its surfaces are hot.



ETS NORD AS

Address: Peterburi tee 53
11415 Tallinn
Estonia

Phone: +372 680 7360
info@etsnord.ee
www.etsnord.ee

ETS NORD Finland

Address: Pakkasraitti 4
04360 Tuusula
Finland

Phone: +358 0401 842 842
info@etsnord.fi
www.etsnord.fi

ETS NORD Sweden

Address: Järsjögatan 7
69235 Kumla
Sweden

Phone: +46 19 554 20 50
info@etsnord.se
www.etsnord.se

Address: Pinjegatan 5
21363 Malmö
Sweden

Phone: +46 40-94 68 70
info@etsnord.se
www.etsnord.se

ETS NORD International

info@etsnord.com
www.etsnord.com

Let's move the air together!

