

NORDcanopy

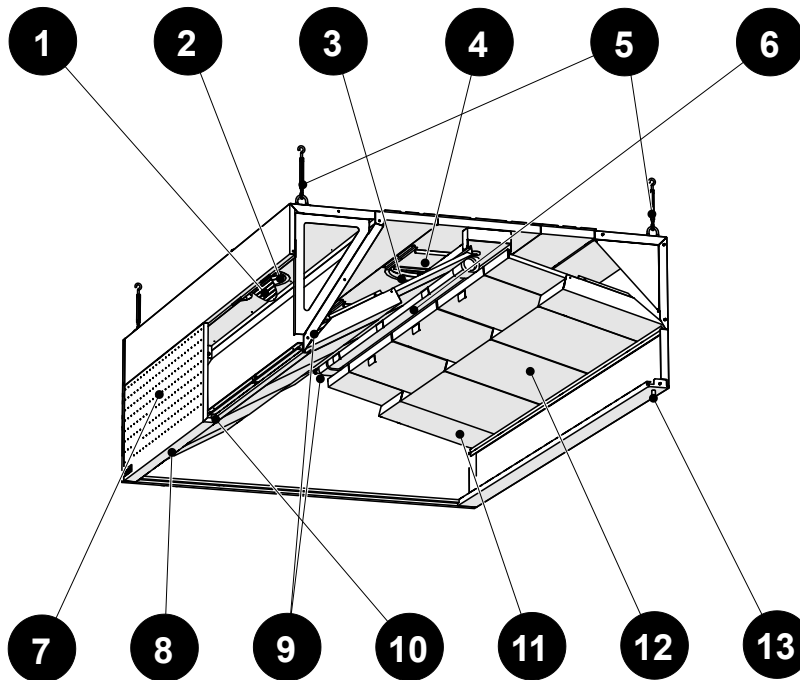
HU Installation, use and maintenance manual

www.nordcooking.com

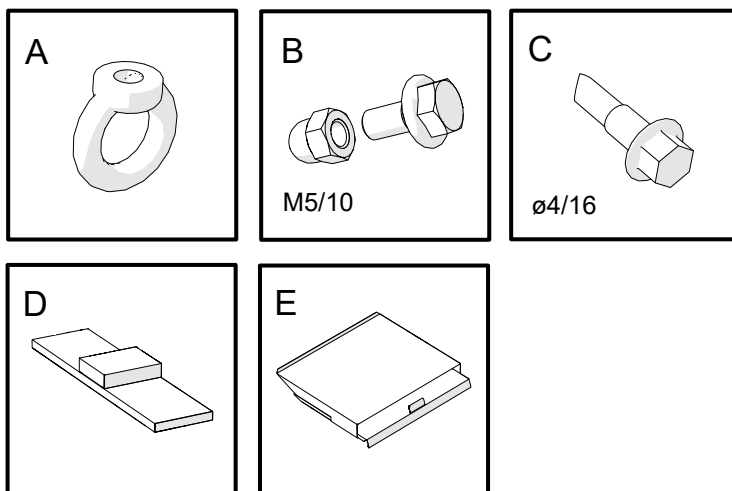
Contents

1. In the kit	3
2. Hanging the kitchen canopy	4
3. Leveling the canopy	5
4. Opening the front panel	5
5. Fastening kitchen canopy sections together	5
6. Installing the steam filters	6
7. Connecting the condensation drain	7
8. Lighting connection	7
9. Measuring and adjusting airflow	8
10. Accessories	9
11. Kitchen canopy maintenance	10

1. In the kit



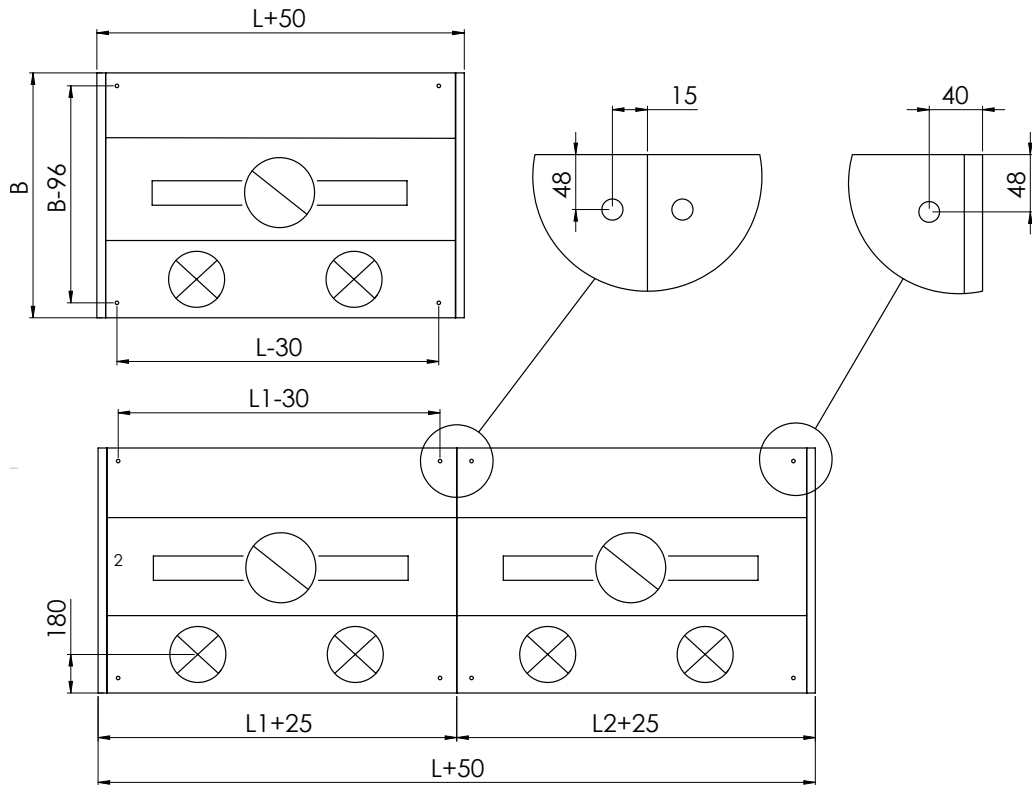
- 1 – Supply air adjustment plate
- 2 – Supply air connection
- 3 – Exhaust air connection
- 4 – Exhaust air adjustment plate
- 5 – Suspension points
- 6 – Lighting
- 7 – Front panel
- 8 – Front panel lock
- 9 – Airflow measuring nozzles
- 10 – “AirGrip” air nozzle system
- 11 – Blind panel for filter rail
- 12 – HFU Condensation plates (removable)
- 13 – Condensate drain connection (3/8”)



In the kit:

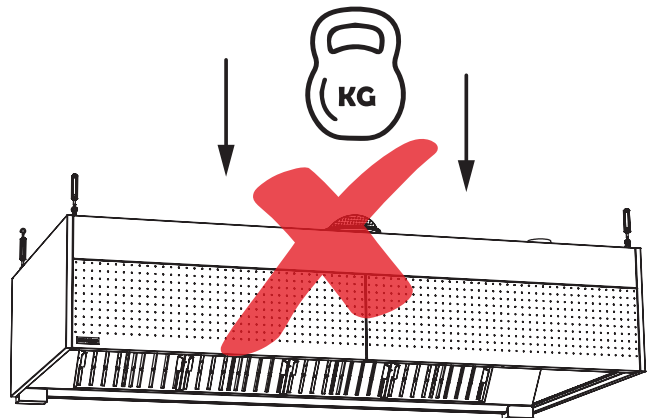
- A – Loop nut
- B – Bolts and cap nuts
- C – Screws
- D – Ceiling panel for sequential connection
- E – HFU Condensation plates

1.1 Measurements

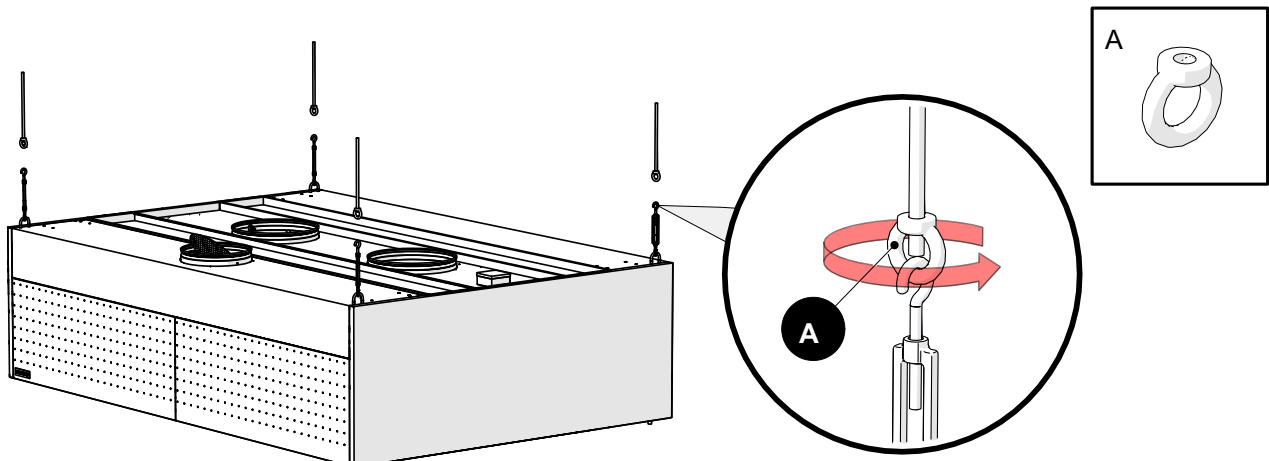


Safety

It is prohibited to hold or add additional weight on the top of the canopy.

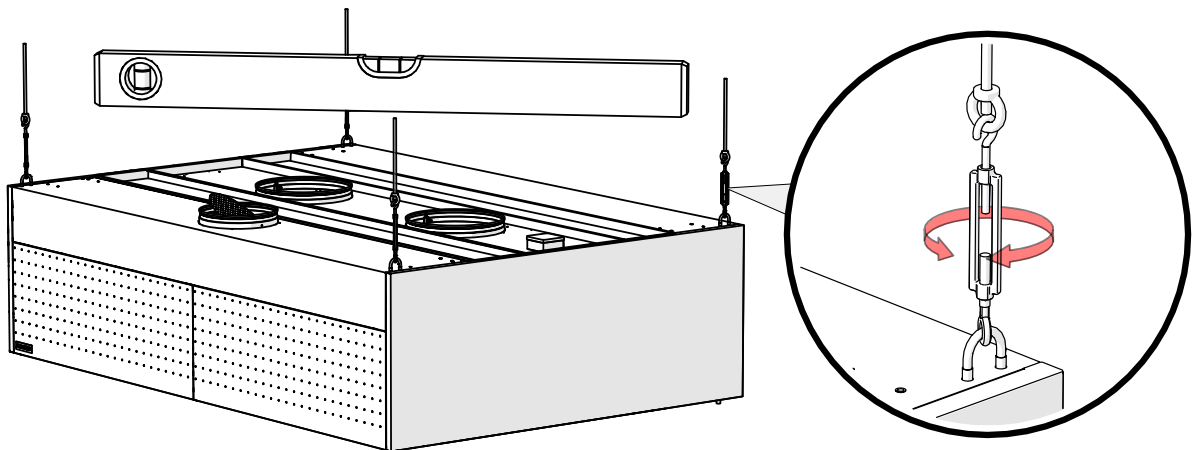


2. Hanging the kitchen canopy

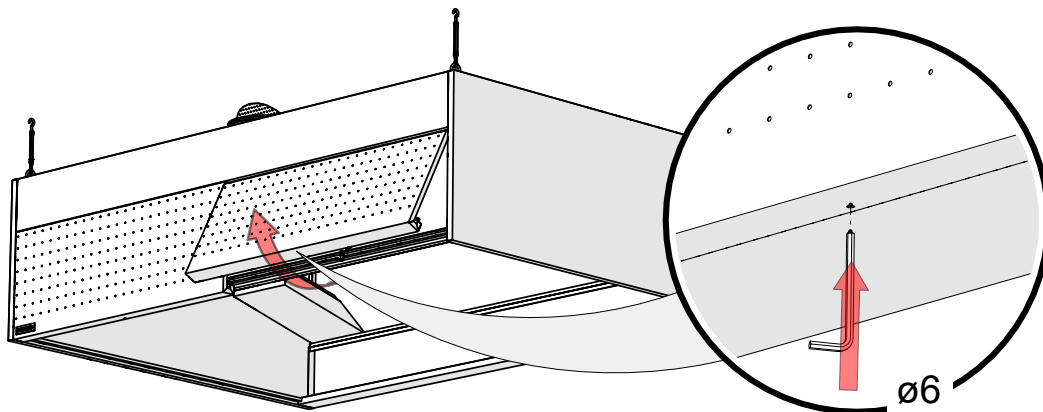


3. Leveling the canopy

Is performed for each section.



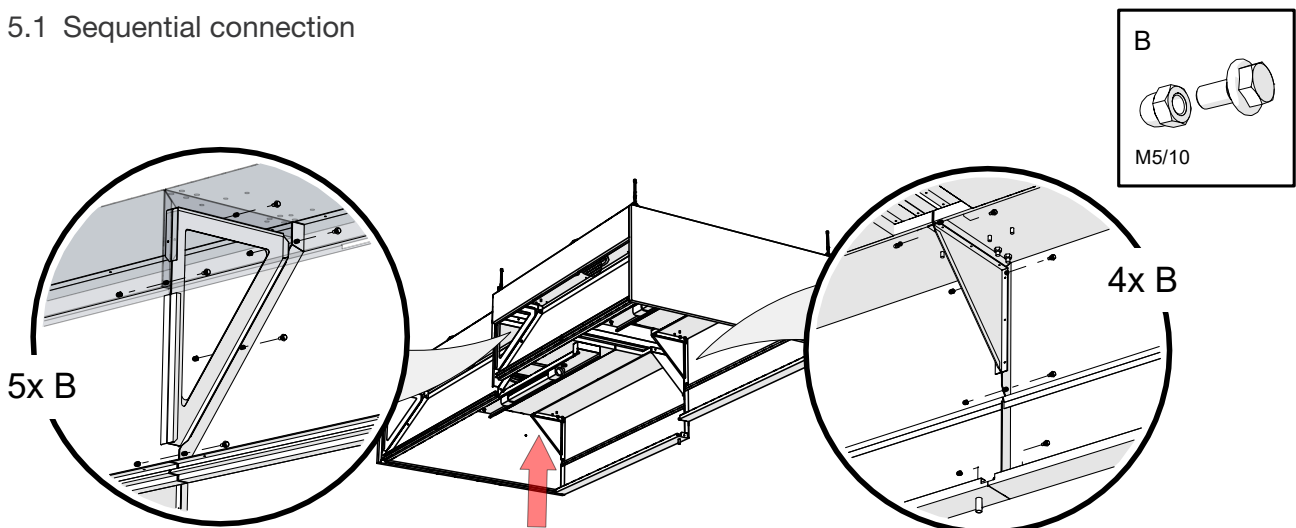
4. Opening the front panel



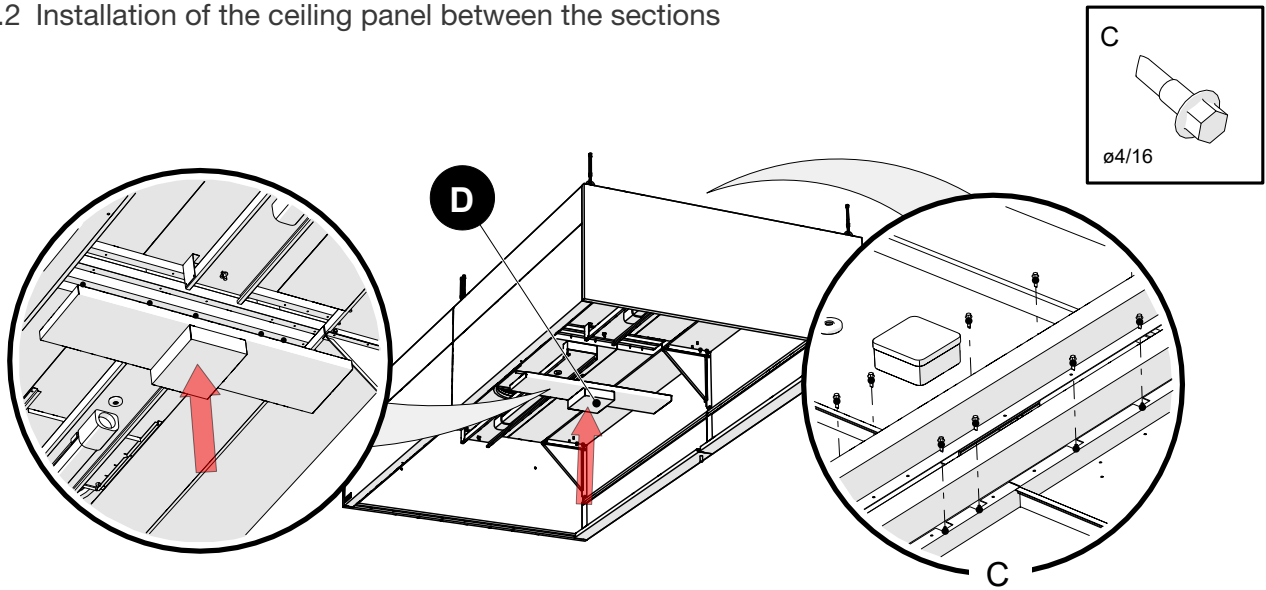
The panel locks automatically.
ATTN! At the end of the installation, make sure that the panels are correctly fixed.

5. Fastening kitchen canopy sections together

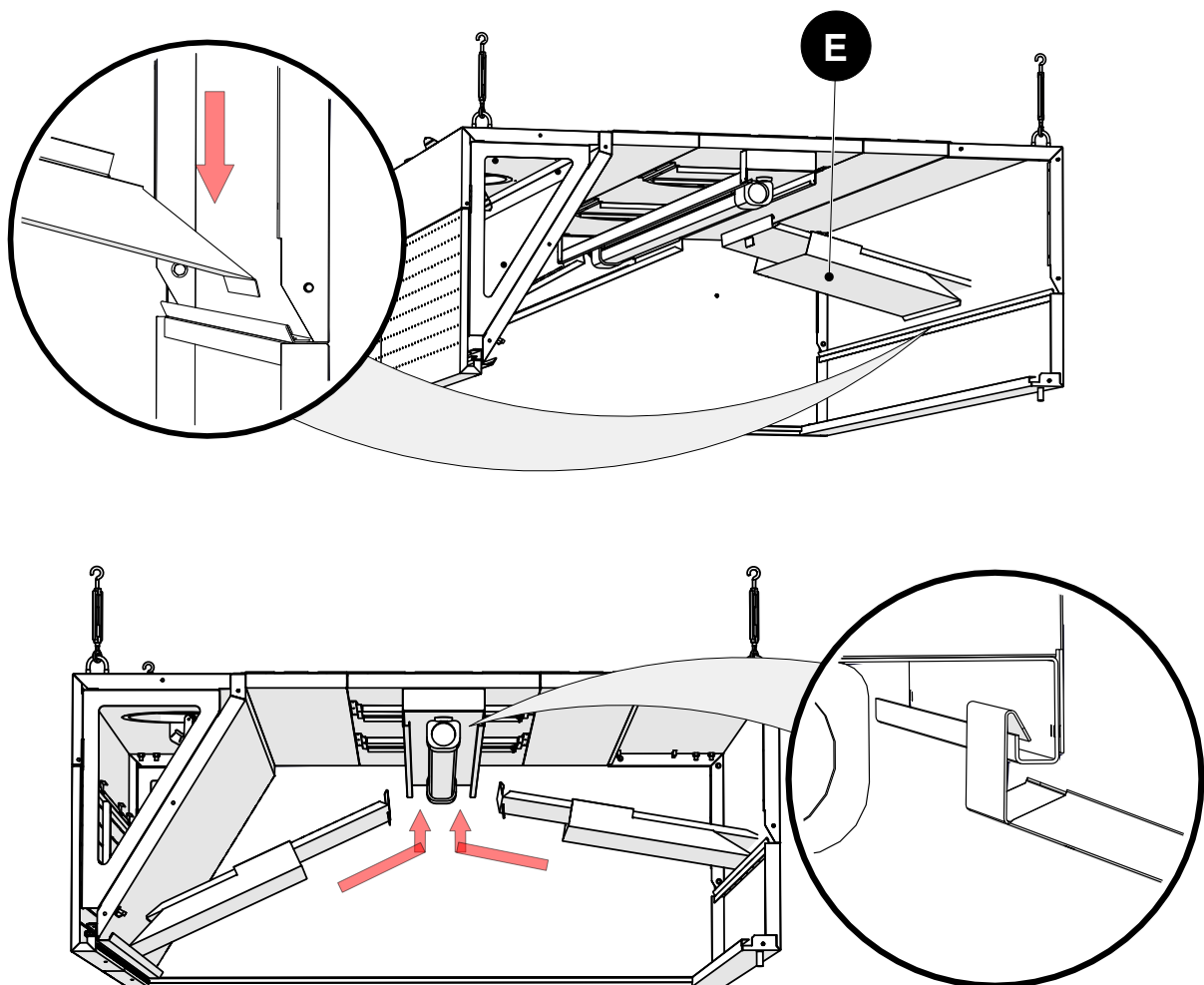
5.1 Sequential connection



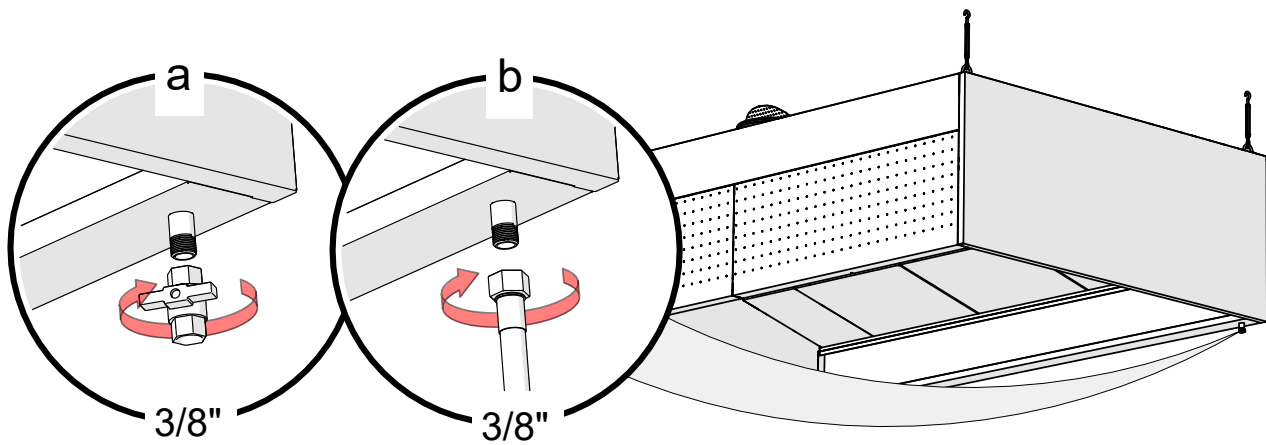
5.2 Installation of the ceiling panel between the sections



6. Installing the steam filters

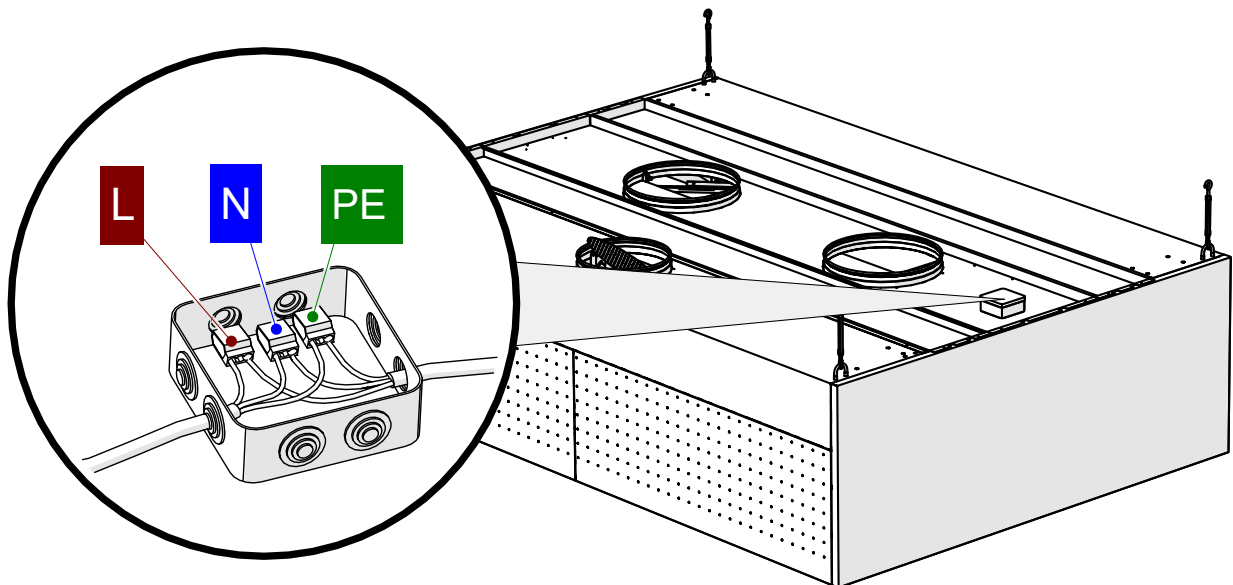


7. Connecting the condensation drain



8. Lighting connection

ATTN! Performed by electrician.

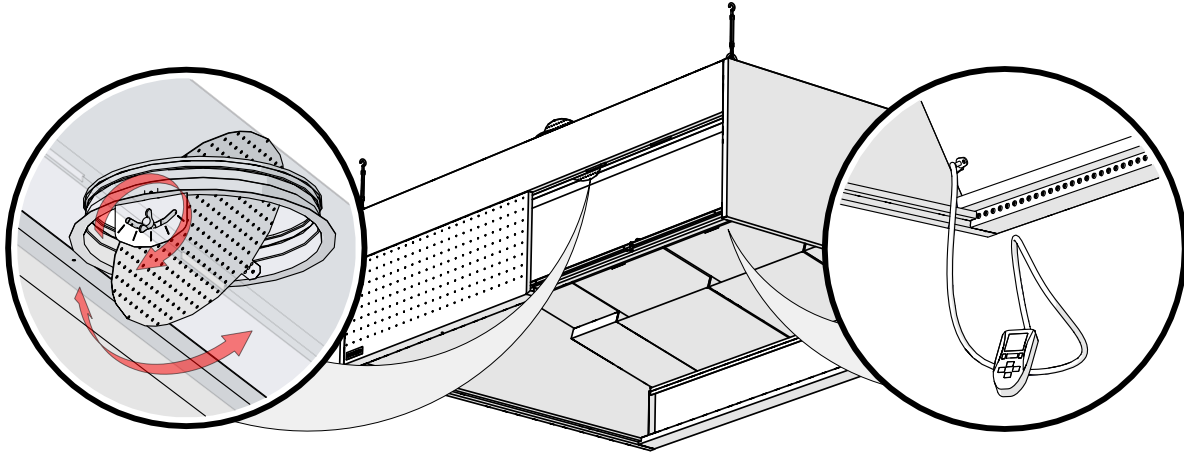


9. Measuring and adjusting airflow

NORDcanopy canopies are fitted with measuring nozzles located inside the canopy.

ATTN! During measurement, HFU steam filters must be fitted and front panel must be closed.

In order to adjust supply airflow, the position of the adjusting plate, located in the supply chamber, is adjusted.



$$Q_v = k \cdot \sqrt{\Delta p_m}$$

*The supply panels k-factor contain the “AirGrip” air nozzle system K-factor.

Calculation example:

Supply air canopy L=2 meter with SPx2 front panel.

Calculation of the supply air volume:

Pressure in the supply air chamber is 26 Pa.

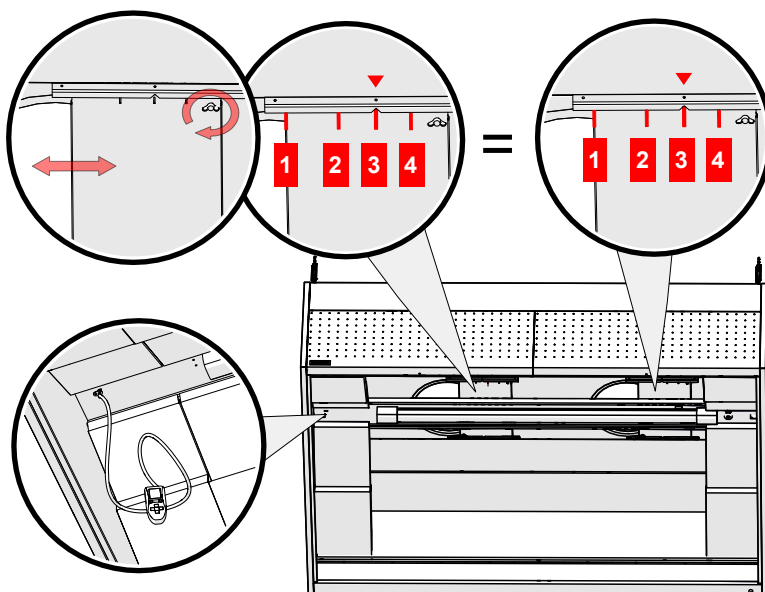
$$Q_s = 2 \times 32,3 \times \sqrt{26} = 330 \text{ l/s}$$

Front panel SPx2 k-factor is 32,3.

Front panel per 1m	k-factor
SPx0	-
SPx1*	19,2
SPx2*	32,3
SPx3*	50,4
AirGrip	2,4

Adjusting plate located behind HFU condensation plates is used for adjusting exhaust airflow.

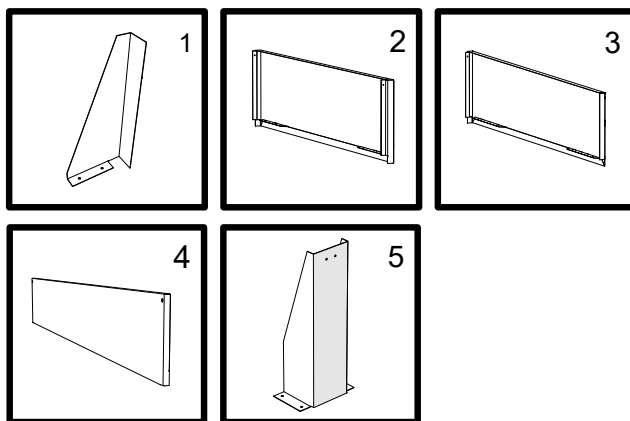
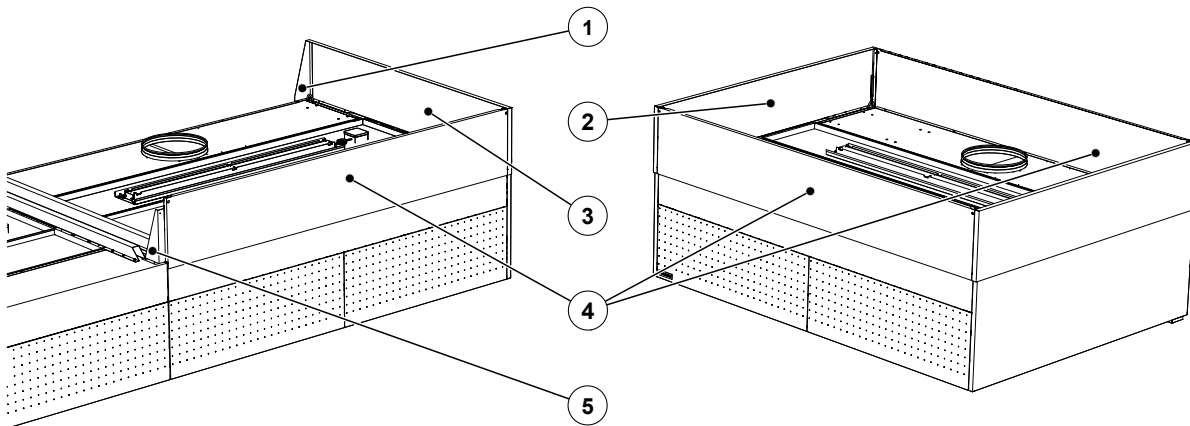
For fixing the regulating plate, lock the butterfly nuts!



L	k-factor			
	s=1	s=2	s=3	s=4
1000	38,9	34,4	29,1	25,7
1500	43,8	37,6	30,9	27,0
2000	77,9	68,7	58,1	51,5
2500	83,8	72,7	60,5	53,1
3000	87,7	75,2	61,9	54,0
3500	123,2	107,4	89,7	79,0
4000	155,7	137,5	116,2	102,9
4500	162,3	142,0	118,9	104,8
5000	167,6	145,4	120,9	106,2
5500	171,9	148,2	122,5	107,2
6000	175,3	150,4	123,8	108,0

10. Accessories

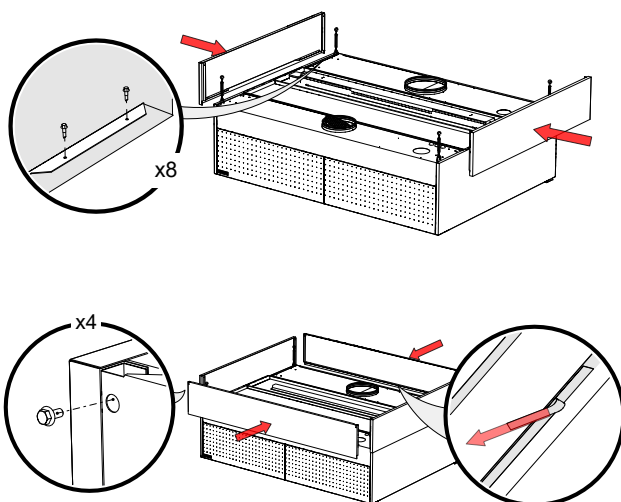
10.1 Cover plates



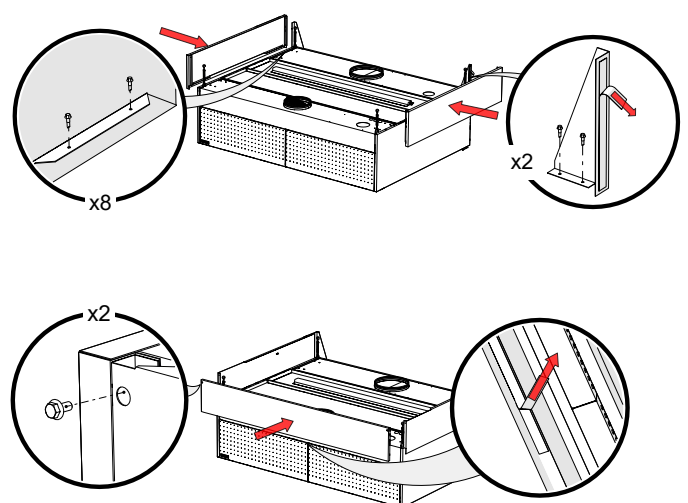
- 1 – Side panel support
- 2 – Island canopy side panel
- 3 – Wall installation canopy side panel L/R
- 4 – Front panel
- 5 – Section beam (sequential connection)

10.2 Installing the cover plates

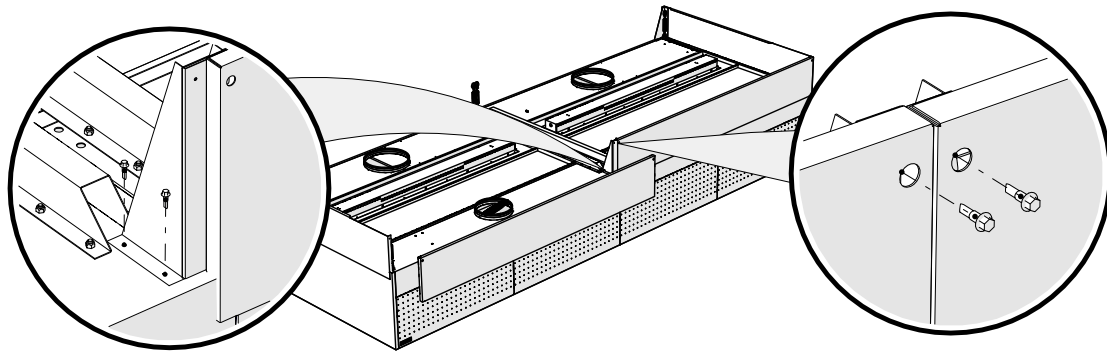
A – Island canopy cover plates



B – Wall installation canopy cover plates



C – Sectional canopy cover plates



11. Kitchen canopy maintenance

All internal and external surfaces of the kitchen canopy, including light fixtures, are cleaned using neutral cleaning agents. Carefully rinse the surfaces after cleaning, in order to avoid harmful interactions of cleaning agents and high temperatures.

To clean the exhaust chamber, HFU condensation plates are removed from the kitchen canopy. To clean the supply chamber, the front panel of the kitchen canopy is removed.

**ATTN! Do not use hard or abrasive detergents, chlorine or bleach when cleaning the canopy!
Never clean the kitchen canopy when any of its surfaces are hot!**



ETS NORD AS

Address: Peterburi tee 53
11415 Tallinn
Estonia
Phone: +372 680 7360
info@etsnord.ee
www.etsnord.ee

ETS NORD Finland

Address: Pakkasraitti 4
04360 Tuusula
Finland
Phone: +358 401 842 842
info@etsnord.fi
www.etsnord.fi

ETS NORD Sweden

Address: Järsjögatan 7
69235 Kumla
Sweden
Phone: +46 19 554 20 50

Address: Pinjegatan 5
21363 Malmö
Sweden
Phone: +46 40-94 68 70

Address: Förrådsvägen 5
151 58 Södertälje
Sweden
Phone: +46 8 550 301 40

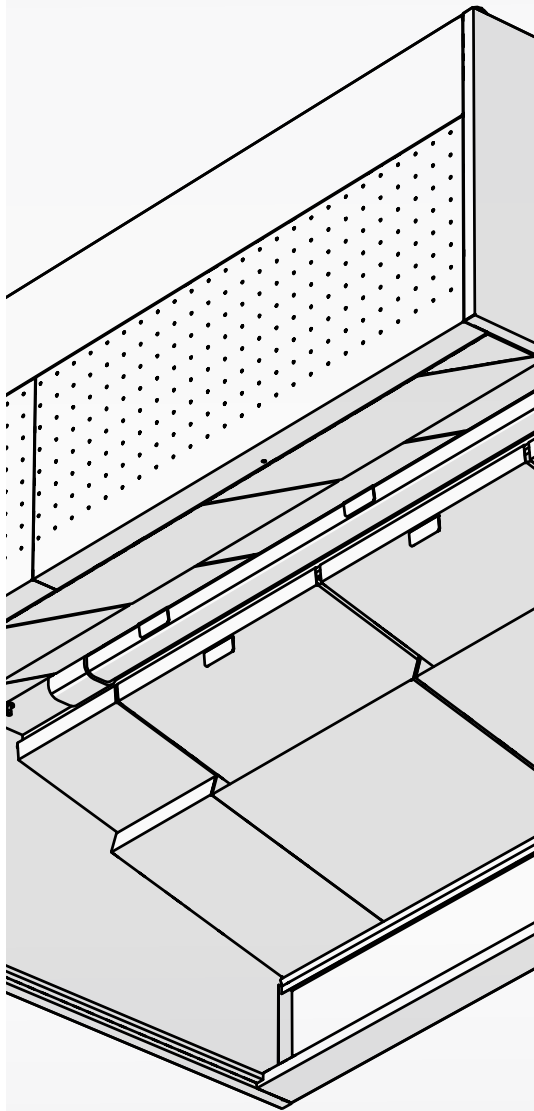
info@etsnord.se
www.etsnord.se

ETS NORD International

info@etsnord.com
www.etsnord.com

ETS NORD Ventilation Manufacturing LLC UAE

Sepin Rayo
sepin.rayo@etsnord.com
+971 5257 02916



Let's move the air together!