

NORDcanopy

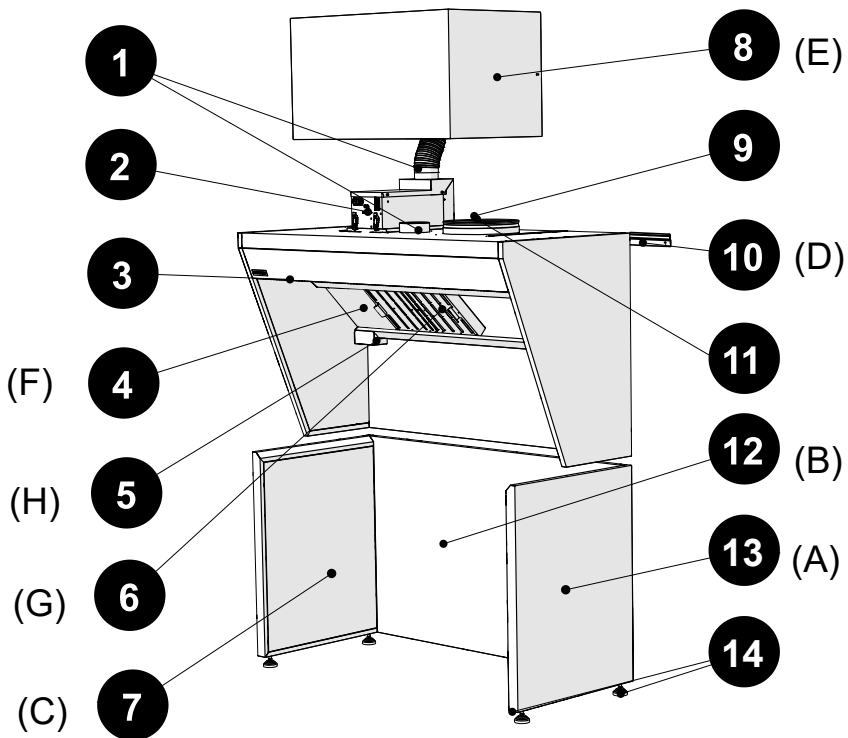
HG Installation, Use and Maintenance Manual

www.nordcooking.com

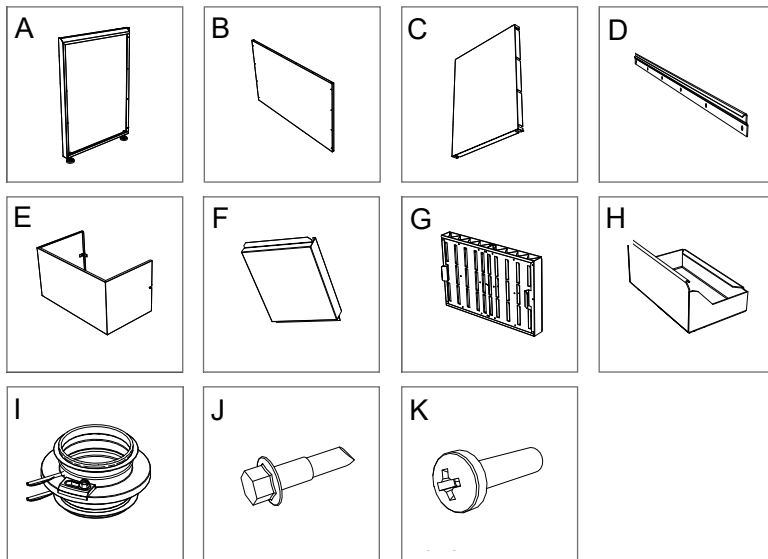
Contents

1. In the kit	3
2. Frame Installation Canopy Type HG-2	5
3. Wall Installation Canopy Type HG-1	6
4. Installing Ozonator	7
5. Connecting Air Ducts	8
6. Installing supply air adjusting damper	8
7. Installing Cover Plate	9
8. Installing HFK Grease Filters, Blind Plates and Grease Collection Container	9
9. Measuring and Adjusting Exhaust Airflow	9
10. Luminaire Connection	10
11. Replacing the Luminaires	10
12. Kitchen Canopy Maintenance	11

1. In the kit



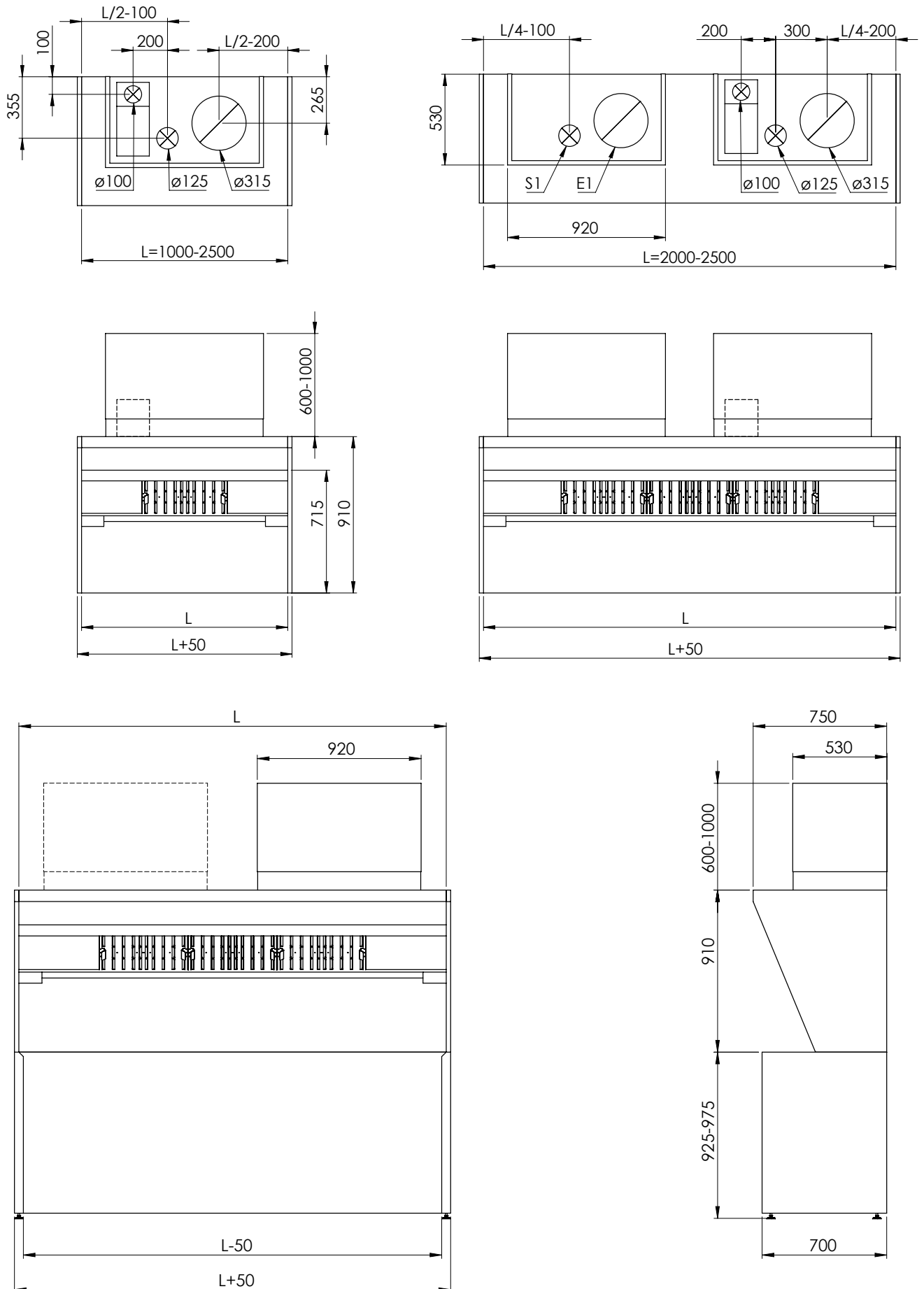
- 1 – Supply air connection
- 2 – Ozonator
- 3 – “AirGrip” air nozzle system
- 4 – Blind plate for grease filter rail
- 5 – Grease collection container
- 6 – HFK grease filter (500 mm)
- 7 – Canopy frame interior wall
- 8 – Cover plate
- 9 – Exhaust air connection
- 10 – Suspension profile
- 11 – Exhaust air adjustment plate
- 12 – Canopy frame back wall
- 13 – Canopy frame side
- 14 – Adjustable feet



In the kit:

- A – Canopy frame side
- B – Canopy frame back
- C – Canopy frame interior wall
- D – Suspension profile
- E – Cover plate
- F – Blind plate for grease filter rail
- G – HFK grease filter
- H – Grease collection container
- I – KRI regulation damper
- J – M5 self drilling screws
- K – M5x20 mm bolt

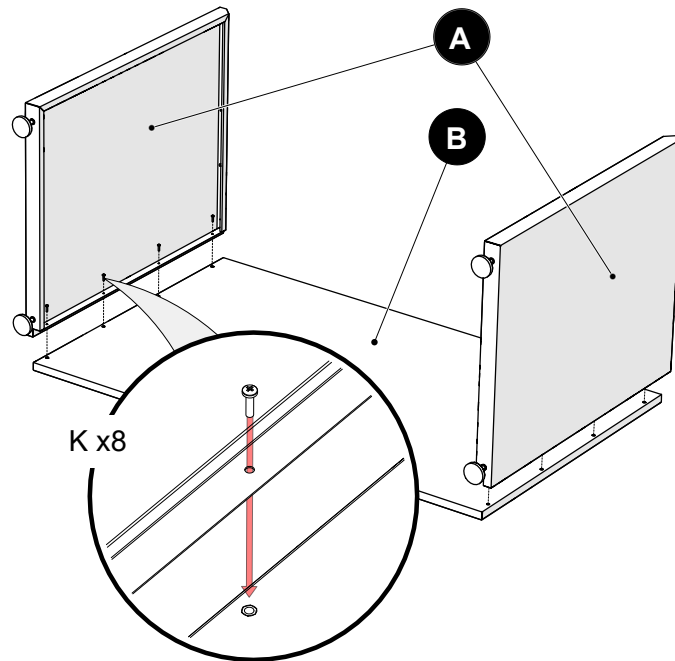
1.1. Measurements



2. Frame Installation Canopy Type HG-2

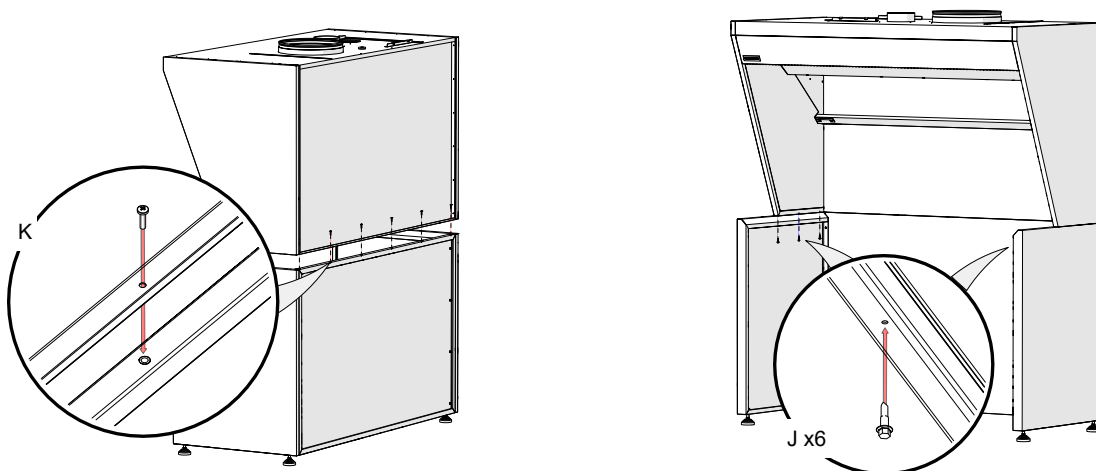
2.1. Frame

Sidepanels are connected by M5×20 mm bolts.



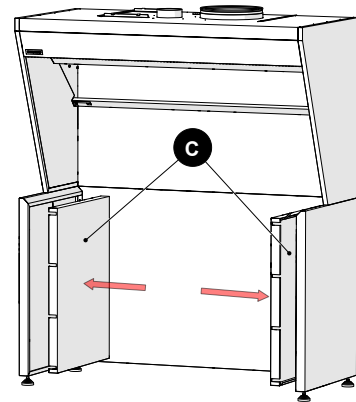
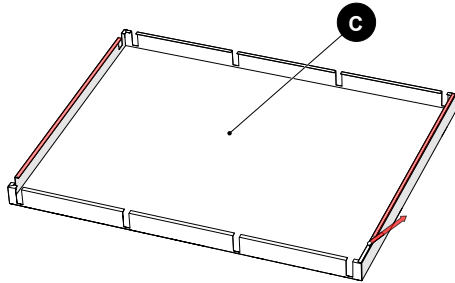
2.2. Connecting the canopy with frame

First step of the connection is attaching the frame's back wall with M5×20 mm bolts. Secondly the sides are attached with M5 self drilling screws.



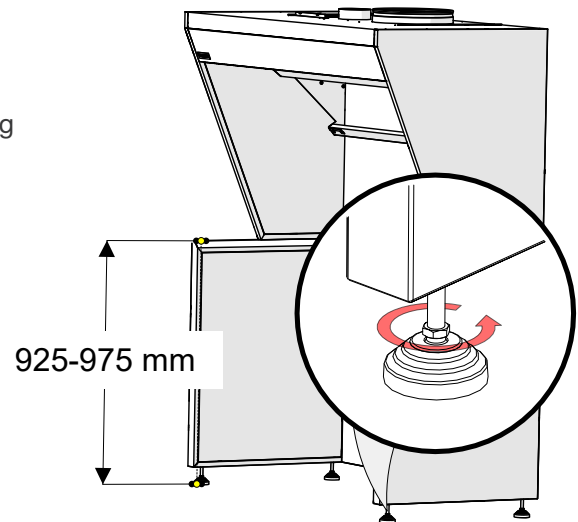
2.3. Installing frame interior walls

Interior walls are glued to side panels interior, using the tape attached to the product.



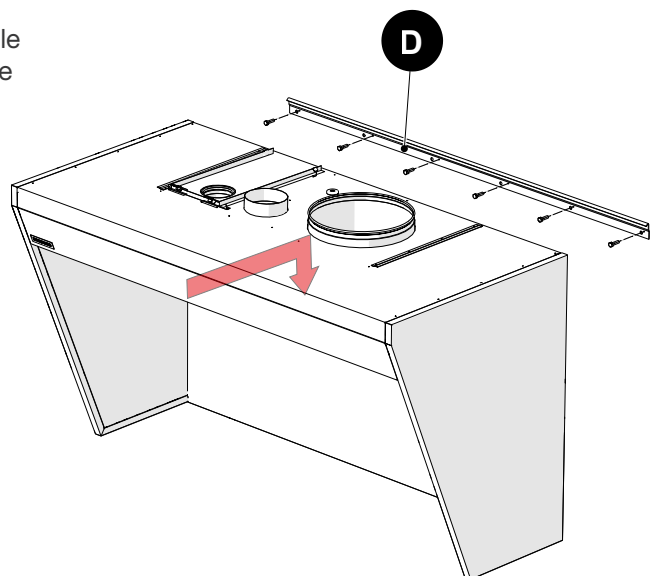
2.4. Leveling the canopy

Canopy is leveled in a way that the frame sides are reaching 25 mm above the work surface.



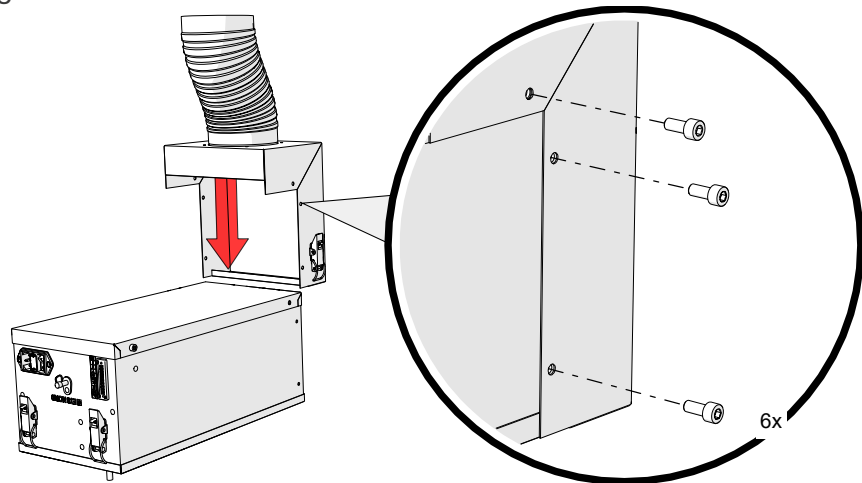
3. Wall Installation Canopy Type HG-1

For installing the canopy on a wall, the suspension profile is used. When attaching the suspension profile to the wall, make sure it is on the right height and leveled properly.

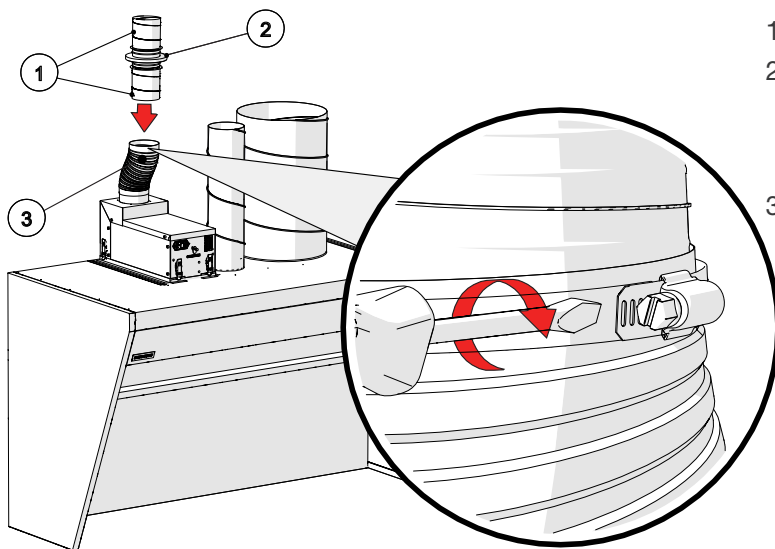
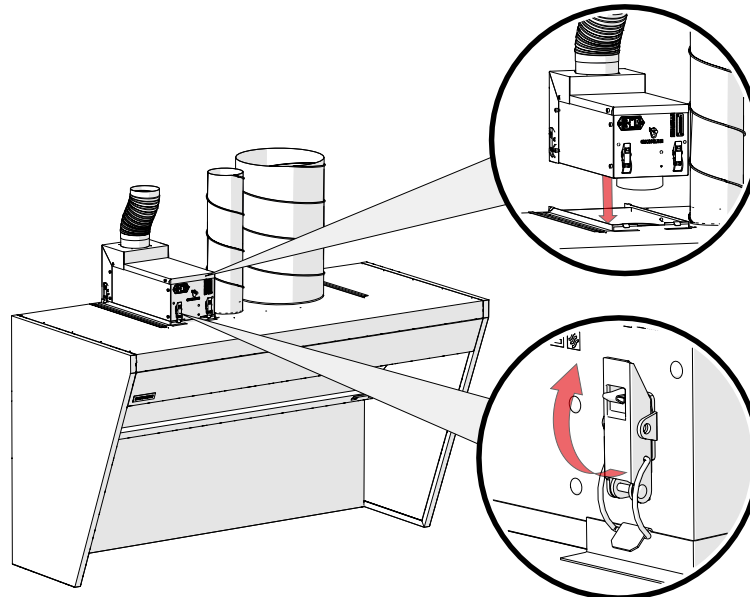


4. Installing Ozonator

4.1. Attaching the OZ fitting



4.2. Installing the ozonator

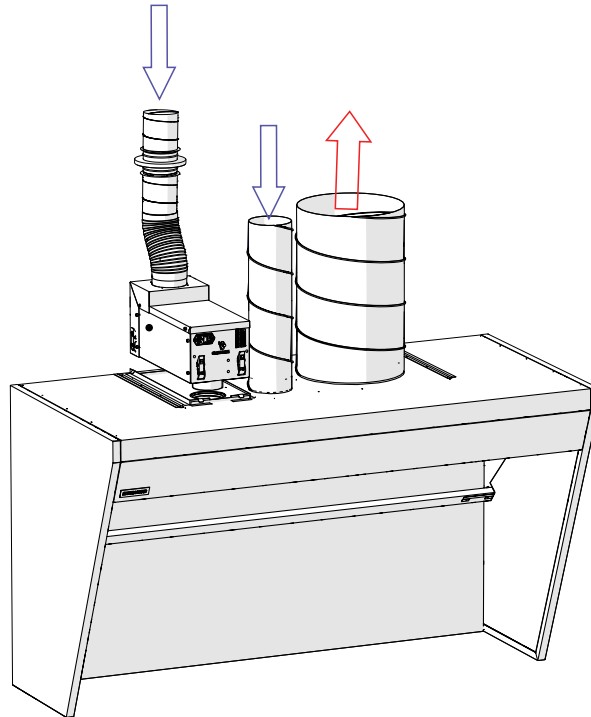


- 1 – Duct
- 2 – KRI control damper (not included in delivery) installed before the ozonator, with which +20 l/s supply air is adjusted for the ozonator.
- 3 – SBF Ø100 speedclamp (included in delivery) installed to the open end of the flexible supply air duct.

NB! The integrated ozonator needs supply air to work!

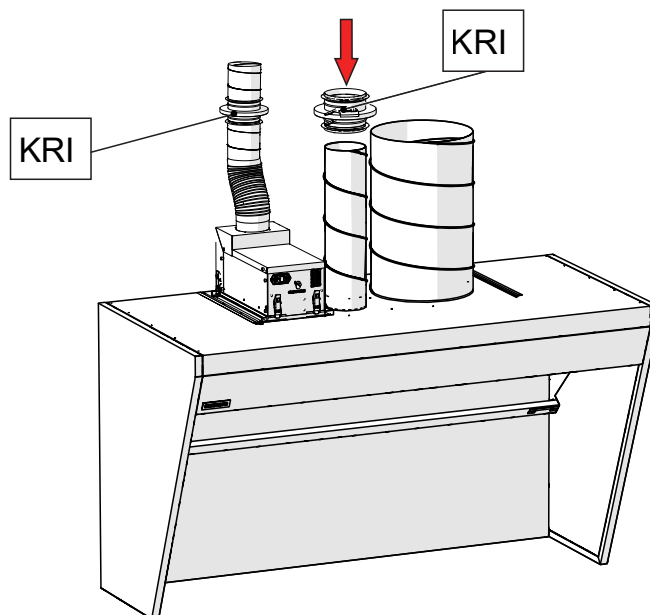
5. Connecting Air Ducts

Fittings are joined using a number of rivets that have been quantified as per the size of the pipe.
 Ozonator air duct is connected with bellows pipe in a way that the ozonator would be removable later on.
 Connection of the ozonator is shown in the “Ozonator Installation and Maintenance Manual”.

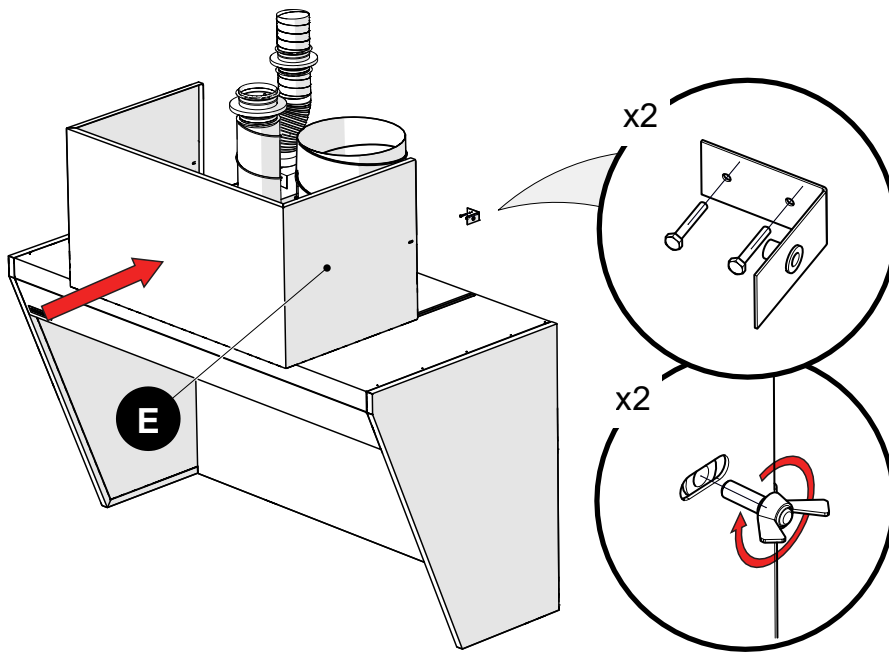


6. Installing supply air adjusting damper

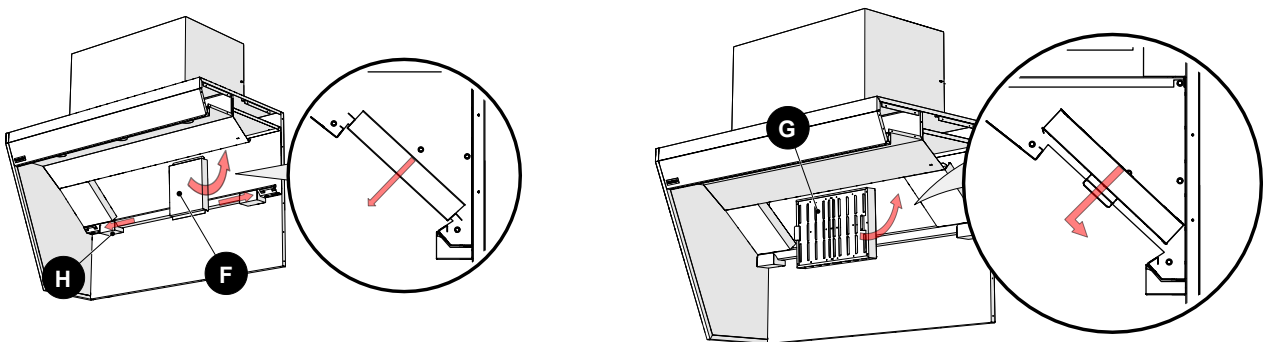
Supply air adjusting damper is used to regulate AirGrip air nozzle system.



7. Installing Cover Plate



8. Installing HFK Grease Filters, Blind Plates and Grease Collection Container

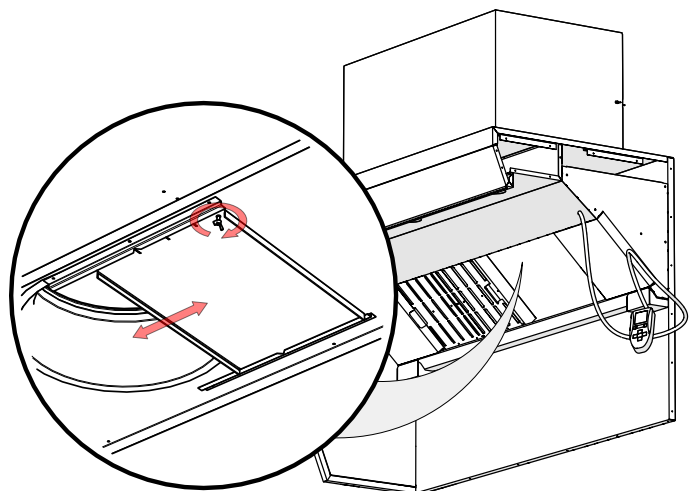


9. Measuring and Adjusting Exhaust Airflow

NORDcanopy canopies are fitted with measuring nozzles located inside the canopy.

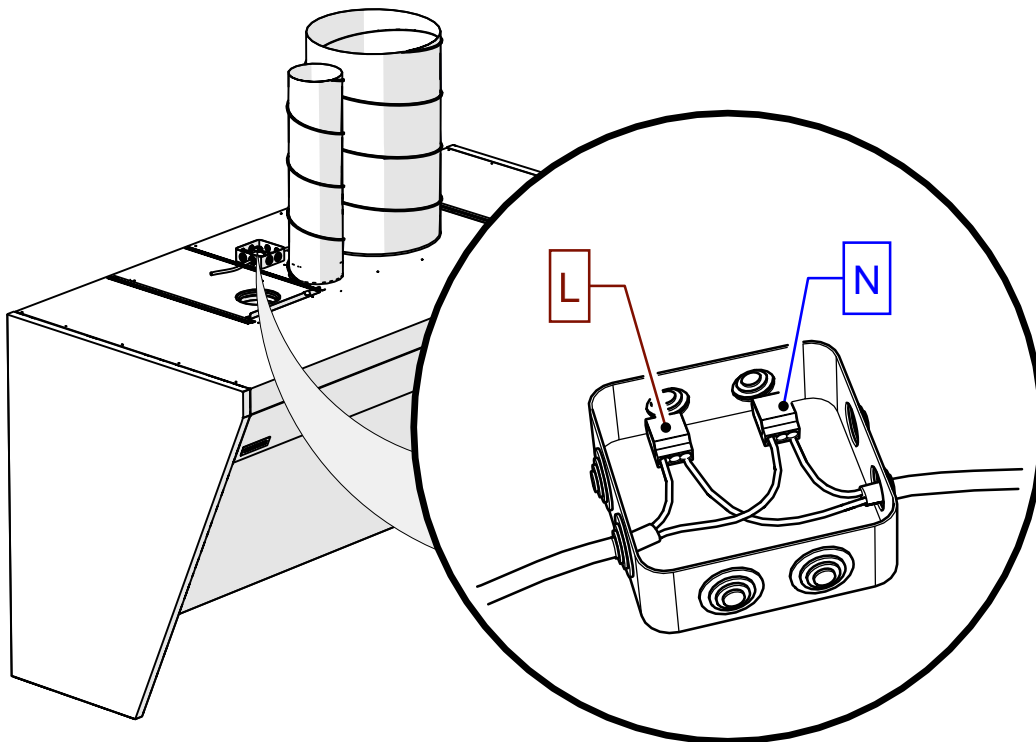
ATTN! During measurement, all HFK grease filters and blind plates must be in place and the front panel must be closed.

In order to adjust supply airflow, the position of the adjusting plate located in the supply chamber is adjusted. The exhaust airflow adjustment plate is located behind the HFK grease filters. Lock the adjustment plate in place using the butterfly nuts! Exhaust K-factor = 16,6 (per filter)



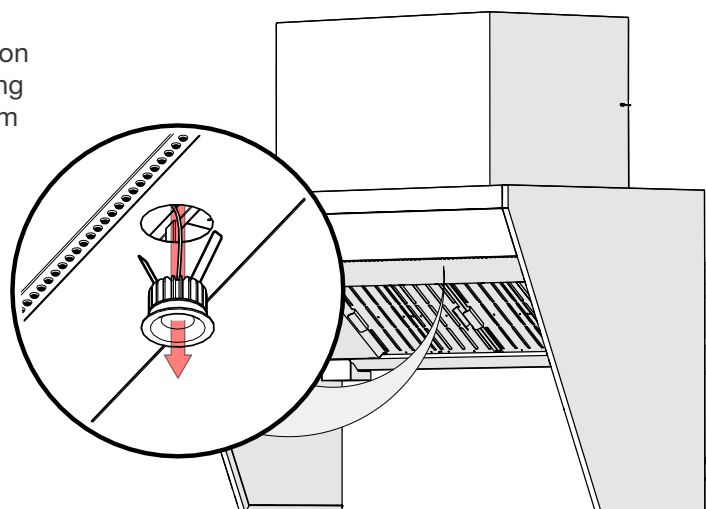
10. Luminaire Connection

NB! Performed by electrician.



11. Replacing the Luminaires

Spot LED lighting is fastened with spring clips on the top surface of the canopy ceiling. For replacing the luminaire, it should be pulled downward from the canopy ceiling.



12. Kitchen Canopy Maintenance

**DEPENDING ON
THE FREQUENCY
OF KITCHEN
MAINTENANCE**

All internal and external surfaces of the kitchen canopy, including light fixtures, are cleaned using neutral cleaning agents. Carefully rinse the surfaces after cleaning, in order to avoid harmful interactions of cleaning agents and high temperatures.

ATTN! Do not use hard or abrasive detergents, chlorine or bleach when cleaning the canopy! Never clean the kitchen canopy when any of its surfaces are hot.

To clean the exhaust chamber, HFK filters and grease collection containers are removed from the kitchen canopy. To clean the supply chamber, the front panel of the kitchen canopy is removed.

The ozonator must never have any exposure to moisture!

DAILY

To clean HFK grease filters they must be removed from the kitchen canopy. Grease collection containers are removed and emptied. Both items may be washed by hand, in a dishwasher, or steam-cleaned.

Liquid grease must always be disposed of using methods approved according to local regulations.

ATTN! Grease collection containers must be inspected regularly and emptied if necessary.



ETS NORD AS

Address: Peterburi tee 53
11415 Tallinn
Estonia
Phone: +372 680 7360
info@etsnord.ee
www.etsnord.ee

ETS NORD Finland

Address: Pakkasraitti 4
04360 Tuusula
Finland
Phone: +358 401 842 842
info@etsnord.fi
www.etsnord.fi

ETS NORD Sweden

Address: Järsjögatan 7
69235 Kumla
Sweden
Phone: +46 19 554 20 50

Address: Pinjegatan 5
21363 Malmö
Sweden
Phone: +46 40-94 68 70

Address: Förrådsvägen 5
151 58 Södertälje
Sweden
Phone: +46 8 550 301 40

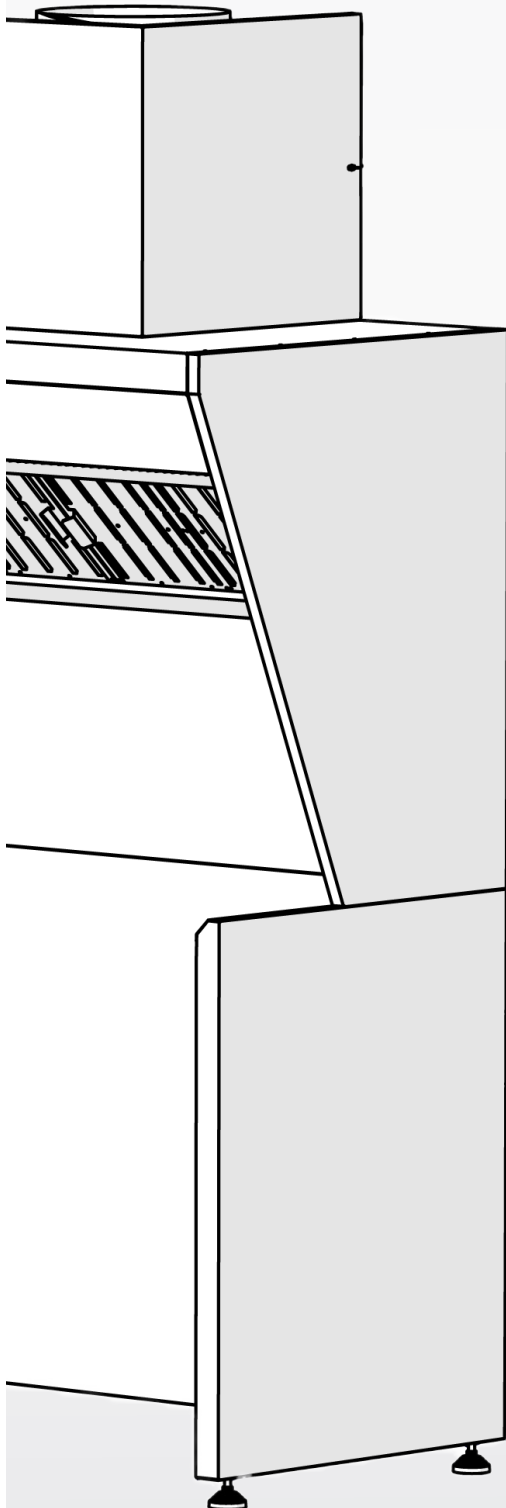
info@etsnord.se
www.etsnord.se

ETS NORD International

info@etsnord.com
www.etsnord.com

ETS NORD Ventilation Manufacturing LLC UAE

Sepin Rayo
sepin.rayo@etsnord.com
+971 5257 02916



Let's move the air together!