

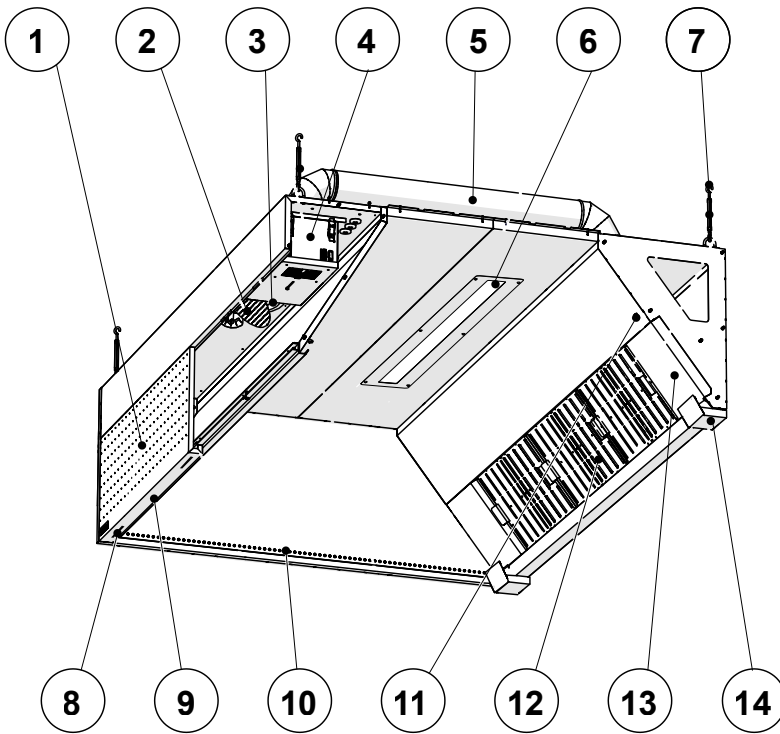
NORDcanopy

HR/HZ Installation, user and maintenance manual

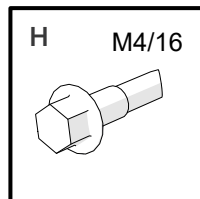
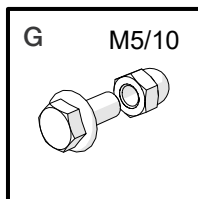
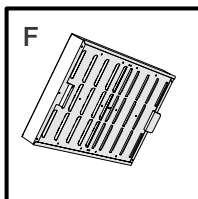
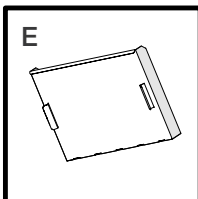
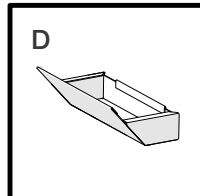
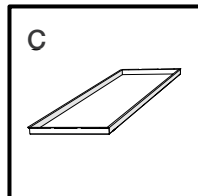
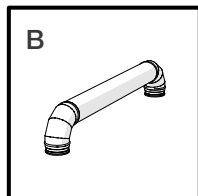
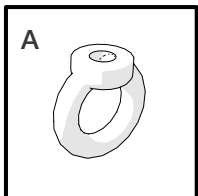
Contents

1. In the kit	3
2. Removing the ceiling panel	5
3. Hanging the kitchen canopy and ozone duct installation	5
4. Leveling the canopy	6
5. Opening the front panel	6
6. Fastening kitchen canopy sections together	7
7. Installing grease collection containers and blind panels for the grease filter rail	8
8. Installing HFK grease filters	8
9. Installing the ozonator	9
10. Lighting connection	9
11. Measuring and adjusting airflow	10
12. Accessories	11
13. Replacing the luminaires	13
14. Kitchen canopy maintenance	14

1. In the kit



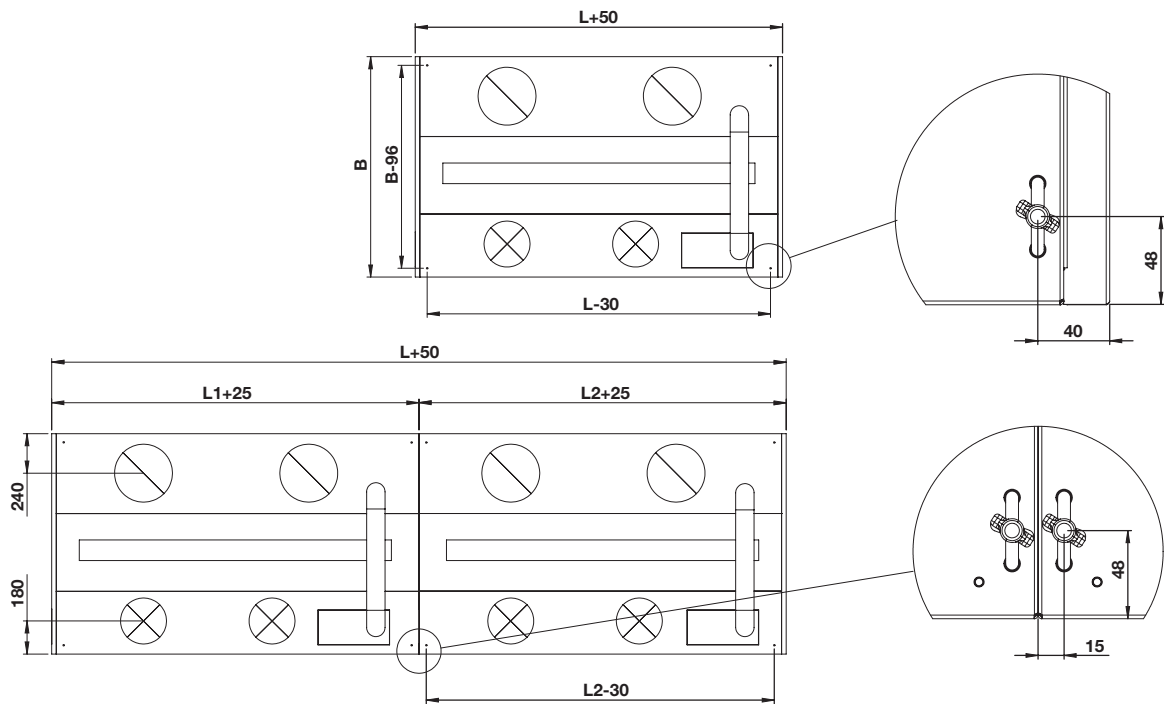
- 1 – Front panel
- 2 – Supply air adjustment plate
- 3 – Supply air connection
- 4* – Ozonator (only with HZ, AISI 316)
- 5* – Ozone duct (only with HZ)
- 6 – Lighting
- 7 – Suspension points
- 8 – Auxiliary supply
- 9 – Front panel lock
- 10 – “AirGrip” air nozzle system
- 11 – Airflow measuring nozzles
- 12 – HFK grease filter
- 13 – Blind plate for grease filter rail
- 14 – Grease collection container



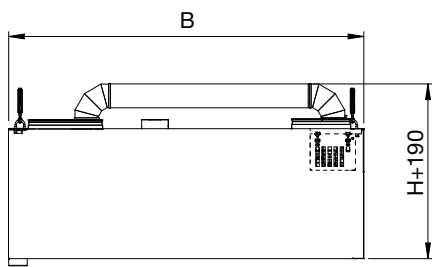
In the kit:

- A – Loop nut
- B – Ozone duct for HZ canopy (AISI 316)
- C – Ceiling panel for modular connection
- D – Grease collection container
- E – Blind plate for grease filter rail
- F – HFK Grease filter
- G – Bolts and cap nuts
- H – Screws

1.1 Measurements

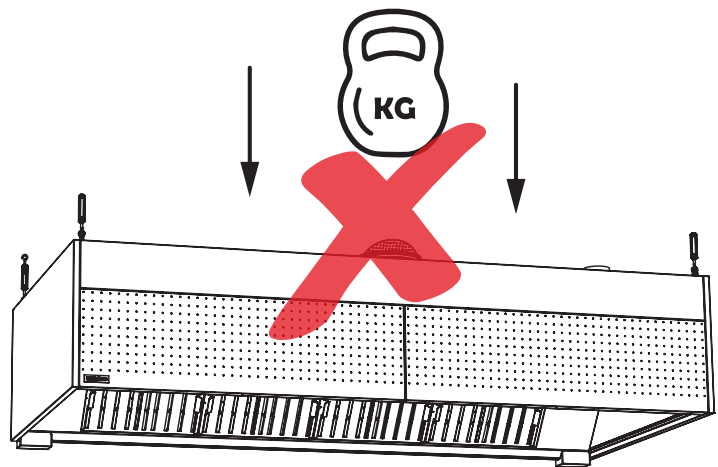


HZ side view



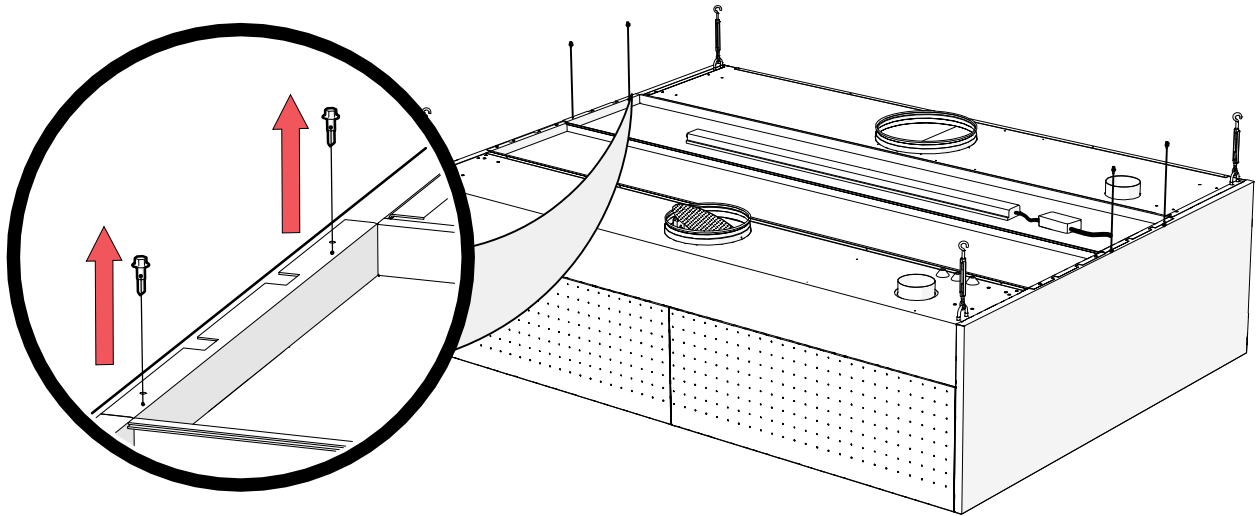
Safety

It is prohibited to hold or add additional weight on the top of the canopy.



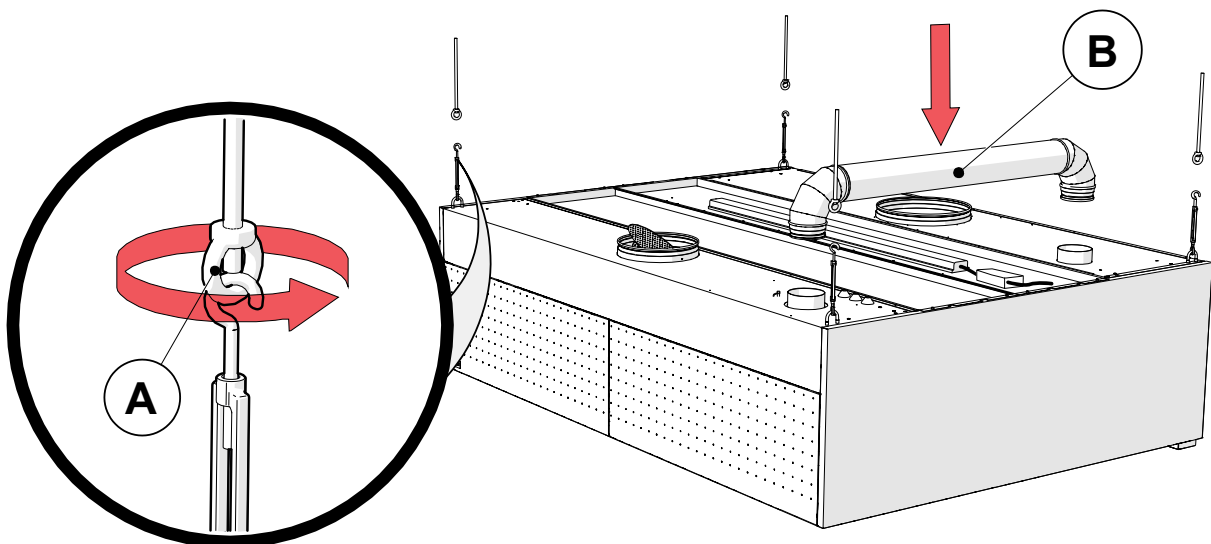
2. Removing the ceiling panel

NB! Remove the fixing screws of the lighting panel during installation.



Removing the lighting panel provides access for exhaust duct, insulation installation and electrical connections or changing the lighting.

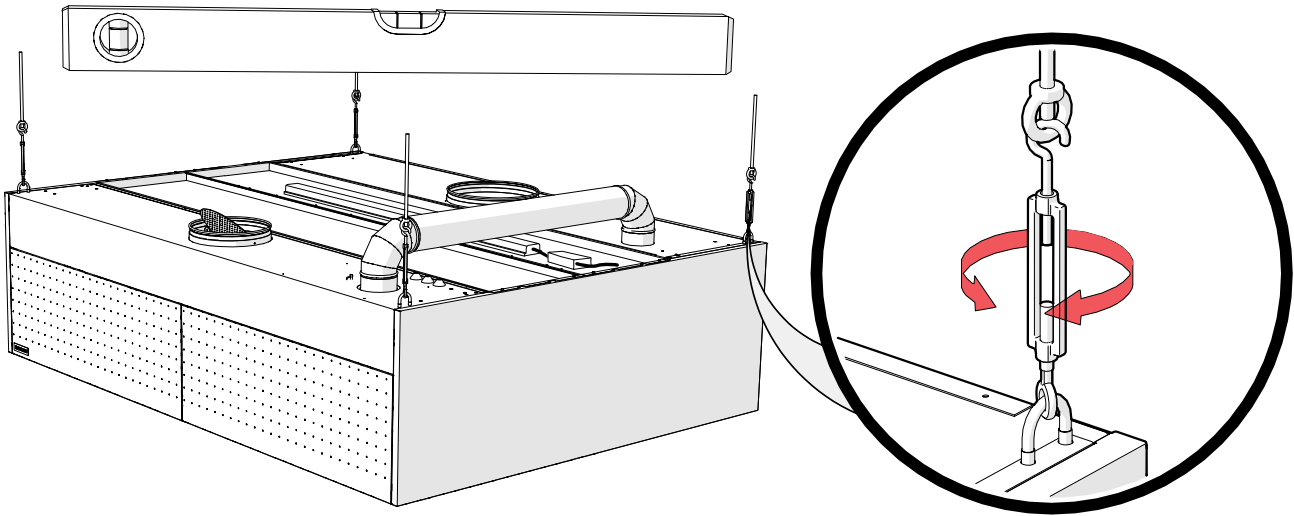
3. Hanging the kitchen canopy and ozone duct installation



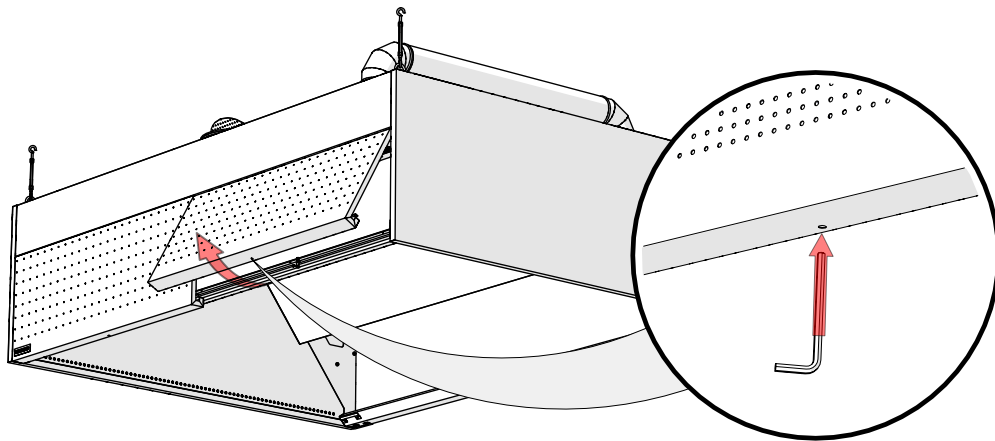
The ozone duct and its fastening components must be made of acid-resistant steel (AISI 316).

4. Leveling the canopy

Is performed for each section.



5. Opening the front panel

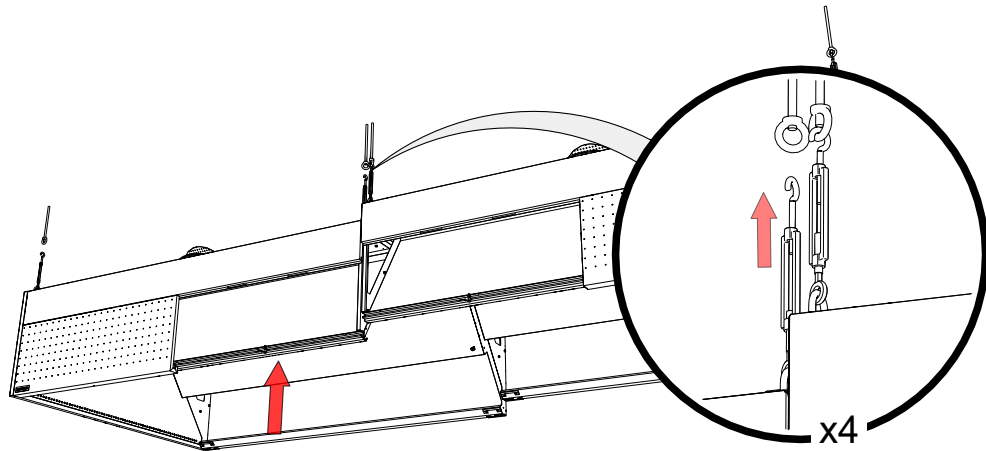


The panel locks automatically.
NOTE! At the end of the installation, make sure that the panels are correctly fixed.

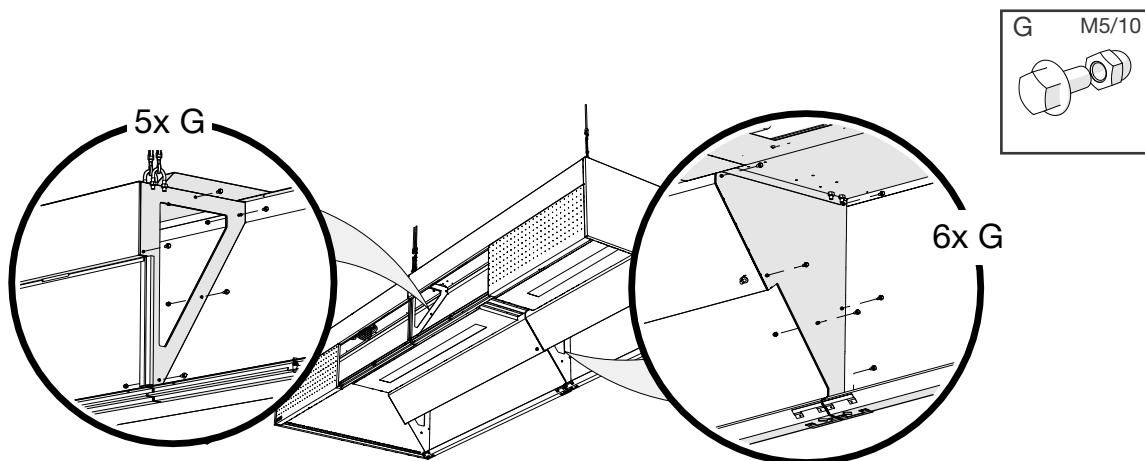
6. Fastening kitchen canopy sections together

6.1 Hanging the canopy sections

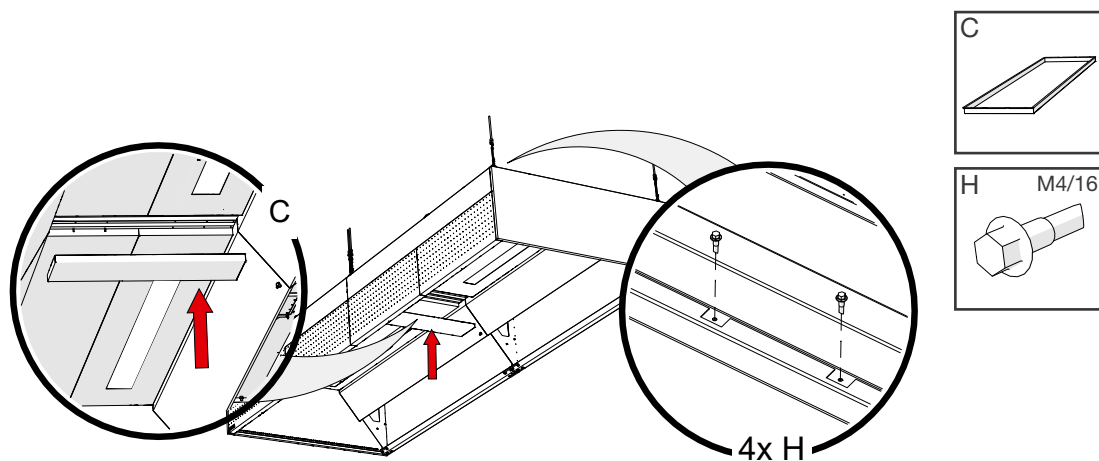
Each section has to be suspended at least from four anchor points.



6.2 Sequential connection

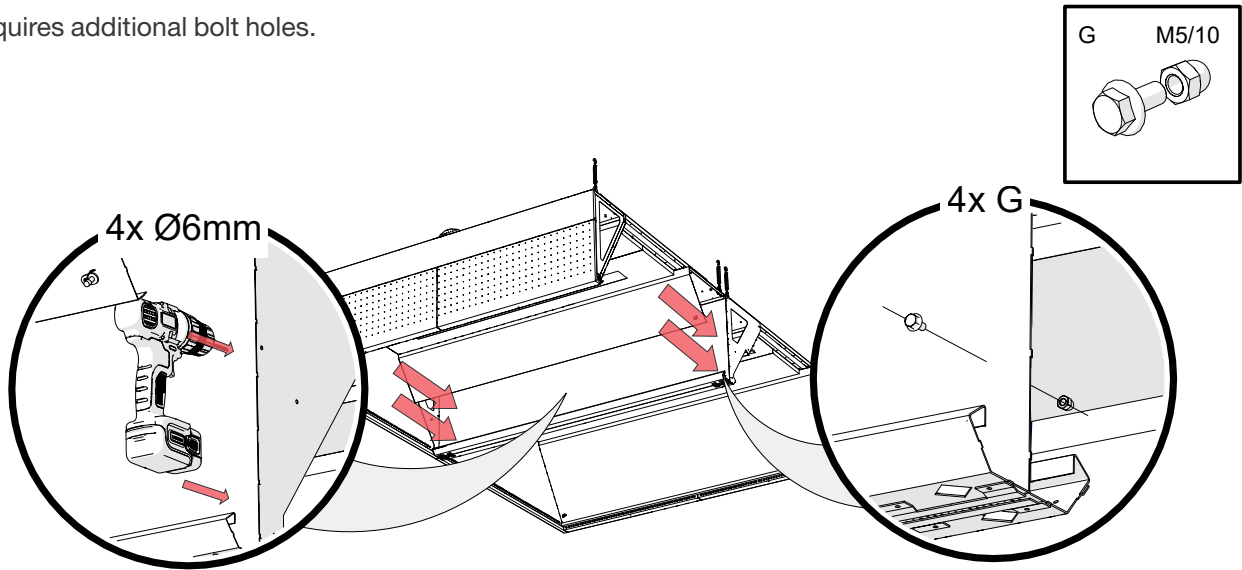


6.3 Installation of the ceiling panel between the sections

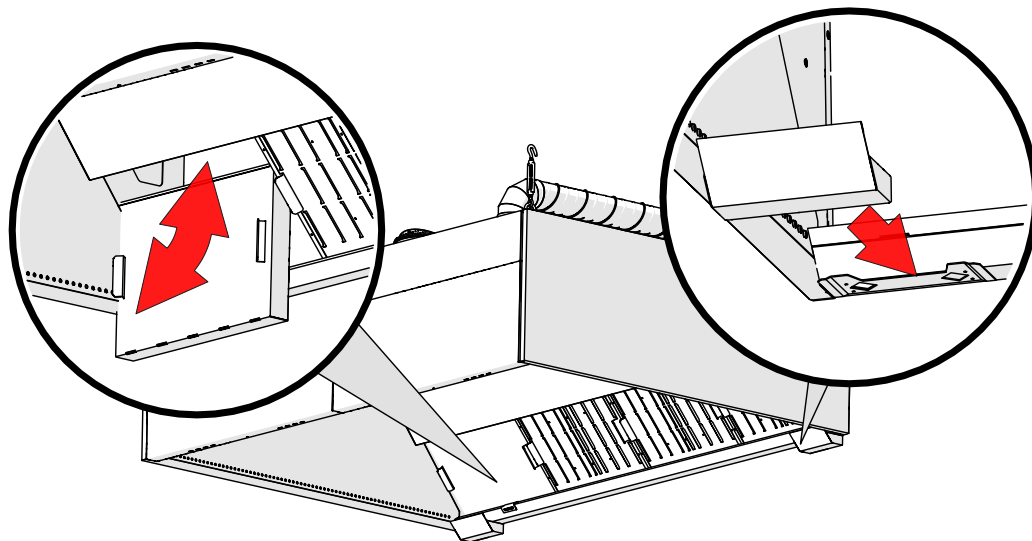


6.4 Fastening sides back-to-back

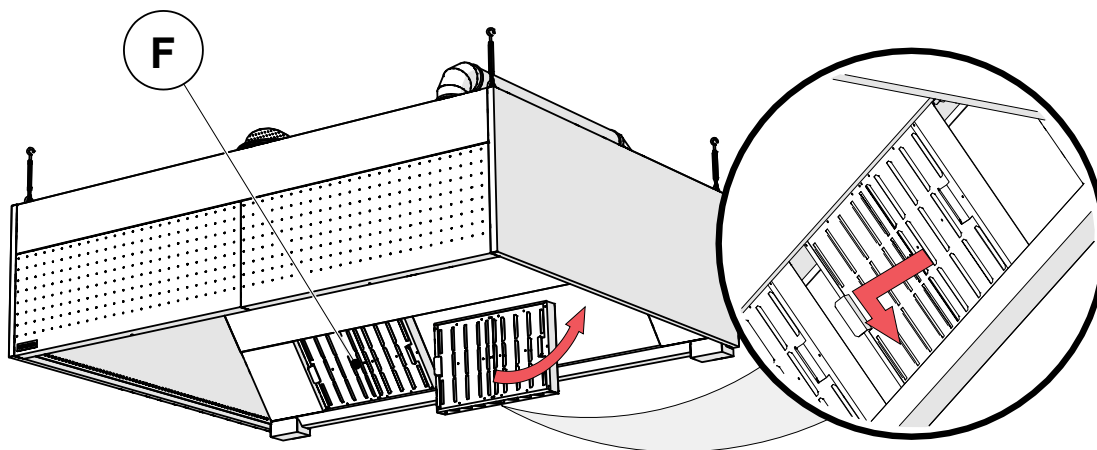
Requires additional bolt holes.



7. Installing grease collection containers and blind panels for the grease filter rail

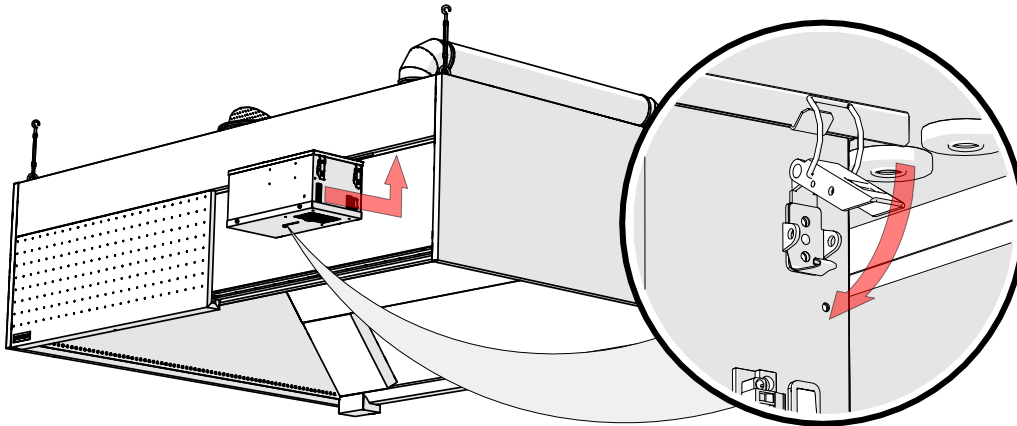


8. Installing HFK grease filters



9. Installing the ozonator

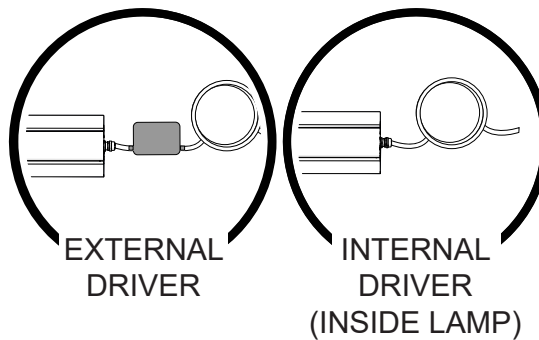
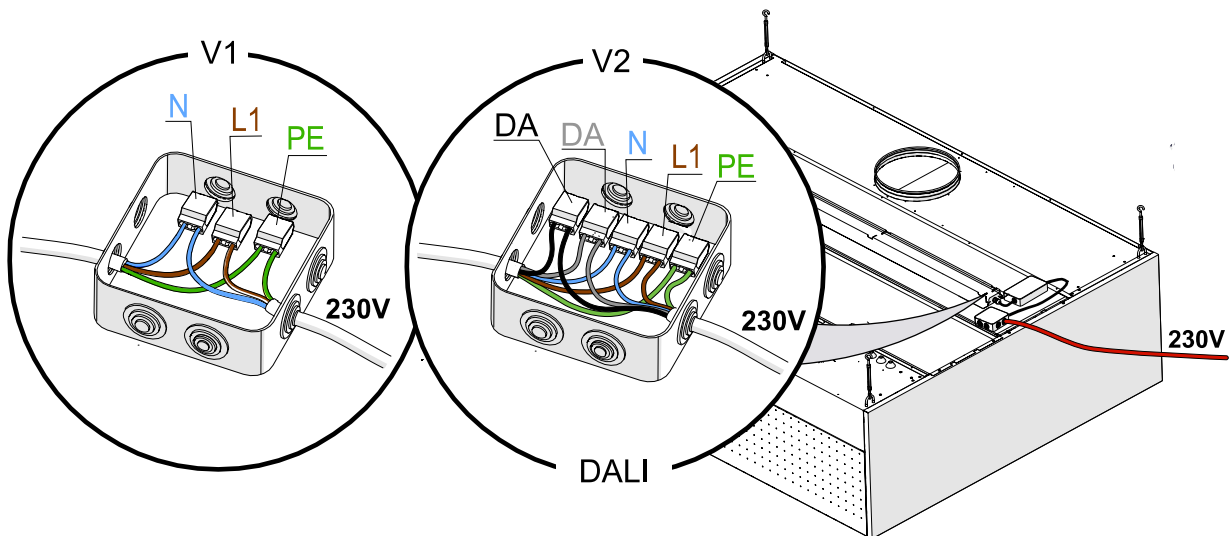
Connecting and starting the ozonator is described in the “Ozonator Installation and Maintenance Manual”.



10. Lighting connection

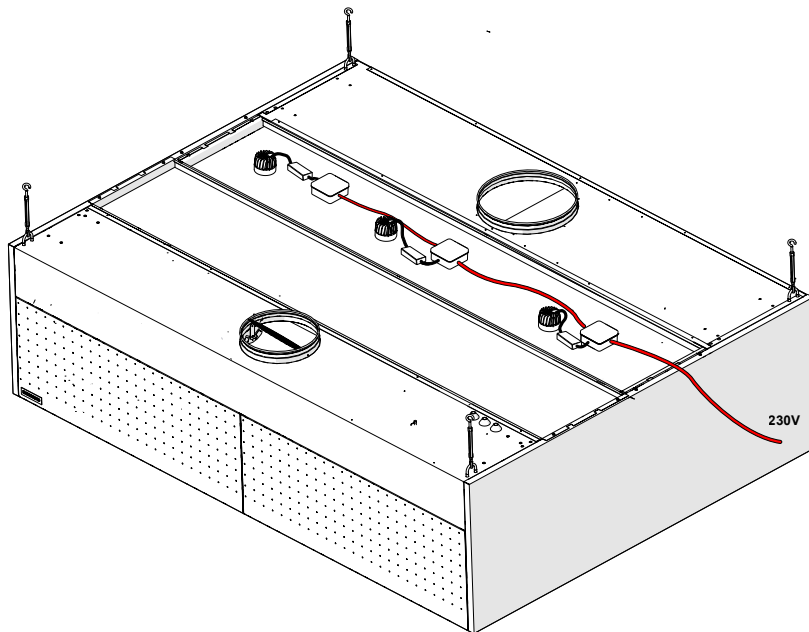
10.1 Connecting the LED light

NOTE! PERFORMED BY ELECTRICIAN.



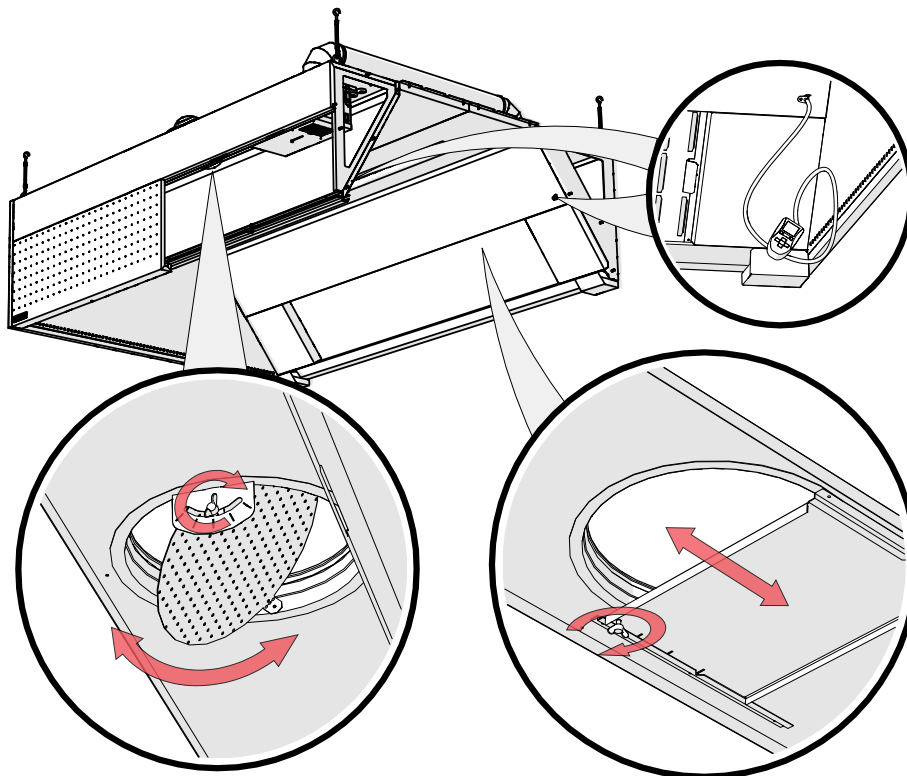
The location of the driver depends on the available lights.

10.2 Connecting the Spot LED light



11. Measuring and adjusting airflow

NORDcanopy canopies are fitted with measuring nozzles located inside the canopy.



NOTE! During measurement, HFK all grease filters and blind plates must be in place and the front panel must be closed.

In order to adjust supply airflow, the position of the adjusting plate located in the supply chamber is adjusted. The exhaust airflow adjustment plate is located behind the HFK grease filters. Lock the adjustment plate in place using the butterfly nuts!

K-factor for measuring airflow

- Exhaust K-factor = 16,6 (per 1 filter)

$$Q_v = k \sqrt{\Delta p_m}$$

Supply air	K-factor, per 1 m of front panel				
	SPx0	SPx1	SPx2	SPx3	SPxK
Front panel*	-	19,2	32,3	50,4	-
"AirGrip"	2,4	-	-	-	-
Side panel**	-	-	-	-	6,6

* The supply panel k-factors above include the "AirGrip" air capture system K-factor.

** If the side panel has perforation, add the side panel k-value to the front panel k-value.

Calculation example:

Supply air canopy L=2 meter with SPx2 front panel.

Calculation of the supply air volume:

Pressure in the supply air chamber is 26 Pa

Front panel SPx2 k-factor is 32,3

$$Q_s = 2 \times 32,3 \times \sqrt{26} = 330 \text{ l/s}$$

Calculation of the exhaust air volume:

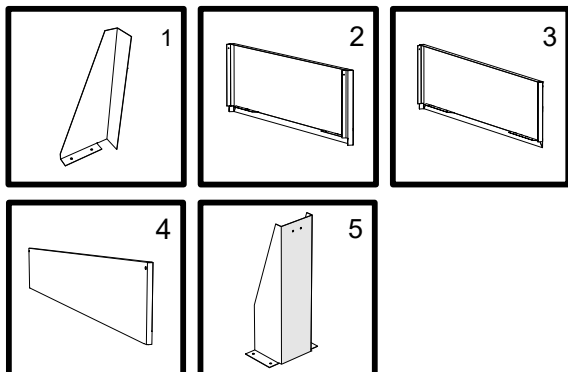
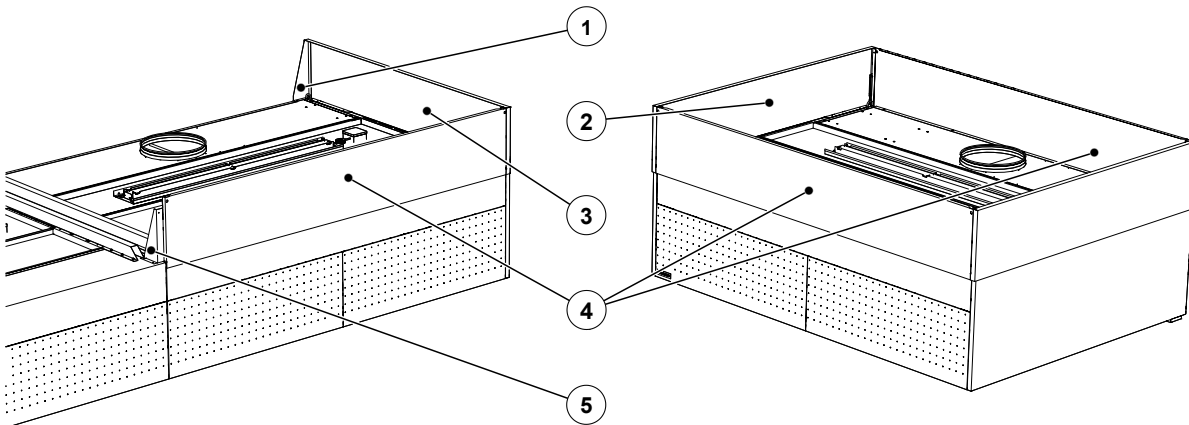
Pressure in the exhaust air chamber is 22 Pa

4 x HFK grease filter k-factor is 16,6

$$Q_e = 4 \times 16,6 \times \sqrt{22} = 312 \text{ l/s}$$

12. Accessories

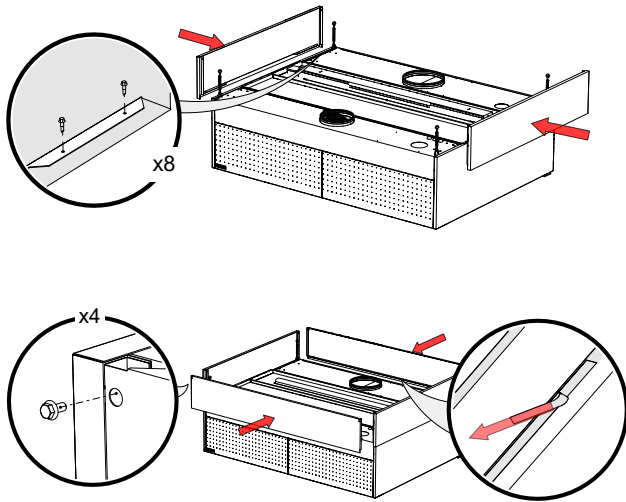
12.1 Cover plates



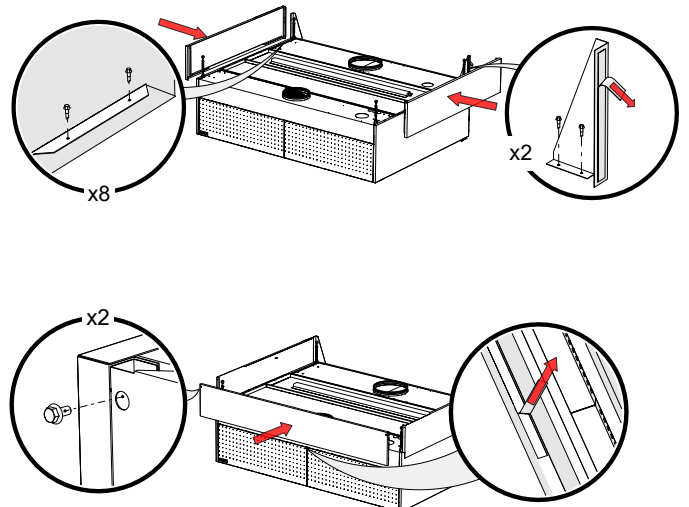
- 1 – Side panel support
- 2 – Island canopy side panel
- 3 – Wall installation canopy side panel L/R
- 4 – Front panel
- 5 – Section beam (sequential connection)

12.2 Installation of cover plates

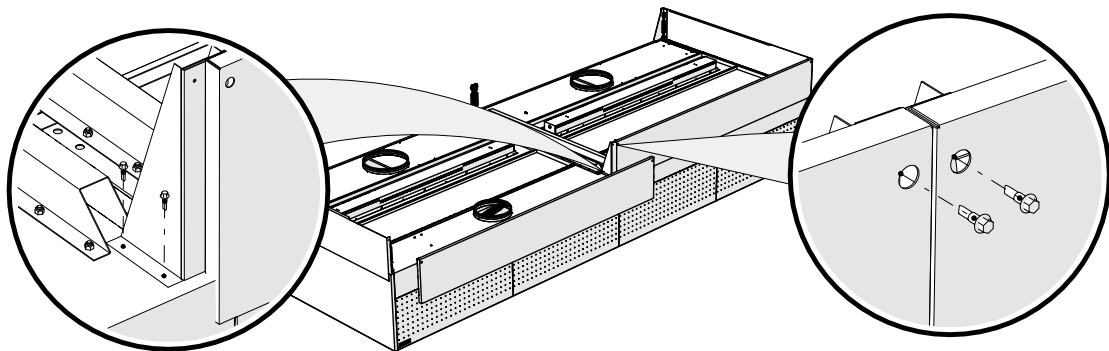
A – Island canopy cover plates



B – Wall installation canopy cover plates

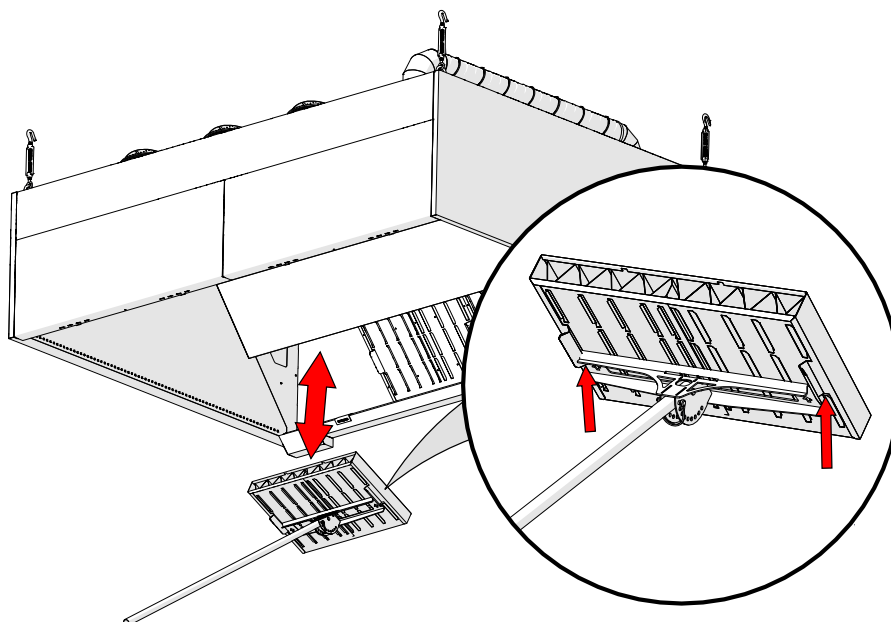


C – Sectional canopy cover plates



12.3 Grease filter removal tool

Use the Helping Hand filter tool for easy filter handling.

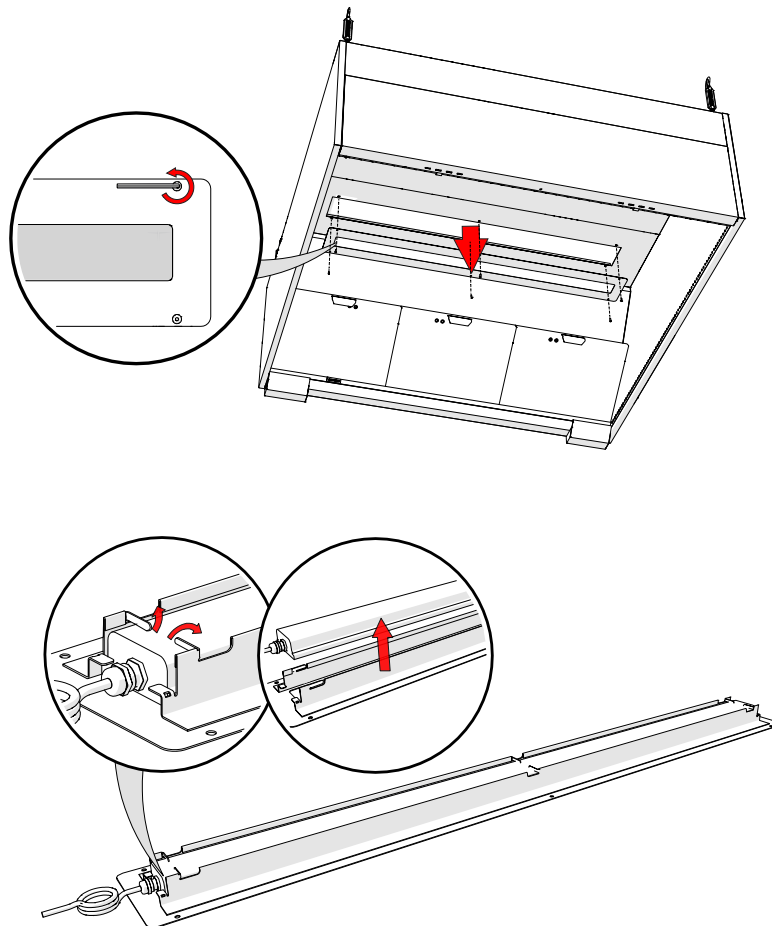


13. Replacing the luminaires

13.1 LED luminaires

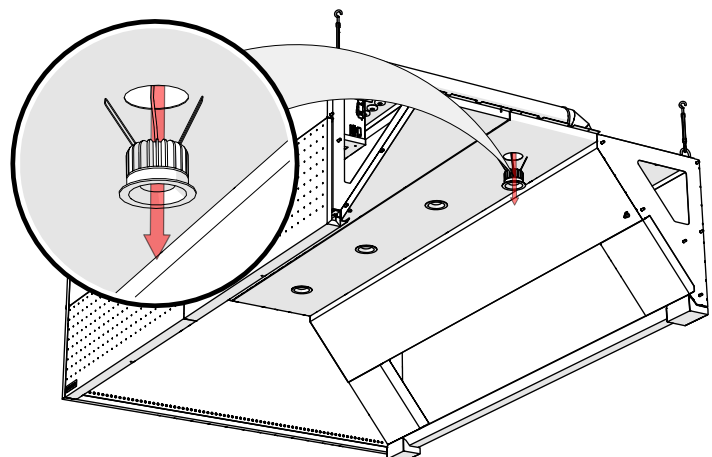
NORDcanopy kitchen canopys use integrated light fixtures with protection class IP 66. To remove luminaires, bend the ears of the fixing clip away and remove the light.

NOTE! PERFORMED BY ELECTRICIAN.



13.2 Spot LED lighting

Spot LED lighting is fastened with spring clips on the top surface of the canopy ceiling. For replacing the luminaire, it should be pulled downward from the canopy ceiling.



14. Kitchen canopy maintenance

DEPENDING OF THE FREQUENCY OF KITCHEN MAINTENANCE

All internal and external surfaces of the kitchen canopy, including lighting, are cleaned using neutral cleaning agents. Carefully rinse the surfaces after cleaning, in order to avoid harmful interactions of cleaning agents and high temperatures.

To clean the exhaust chamber, HFK filters are removed from the kitchen canopy.

To clean the supply chamber, the front panel of the kitchen canopy is removed.

NOTE! Do not use hard or abrasive detergents, chlorine or bleach when cleaning the canopy!

Never clean the kitchen canopy when any of its surfaces are hot!

If the canopy is equipped with an ozonator it must never have any exposure to water or moisture!

DAILY

To clean HFK grease filters they must be removed from the kitchen canopy. Liquid grease must always be disposed of using methods approved according to local regulations and the filters may be washed by hand, in a dishwasher, or steam cleaned. When cleaning the filters, the same procedures are also carried out for the grease collection containers.



ETS NORD AS

Address: Peterburi tee 53
11415 Tallinn
Estonia
Phone: +372 680 7360
info@etsnord.ee
www.etsnord.ee

ETS NORD Finland

Address: Pakkasraitti 4
04360 Tuusula
Finland
Phone: +358 401 842 842
info@etsnord.fi
www.etsnord.fi

ETS NORD Sweden

Address: Järsjögatan 7
69235 Kumla
Sweden
Phone: +46 19 554 20 50

Address: Pinjegatan 5
21363 Malmö
Sweden
Phone: +46 40-94 68 70

Address: Förrådsvägen 5
151 58 Södertälje
Sweden
Phone: +46 8 550 301 40

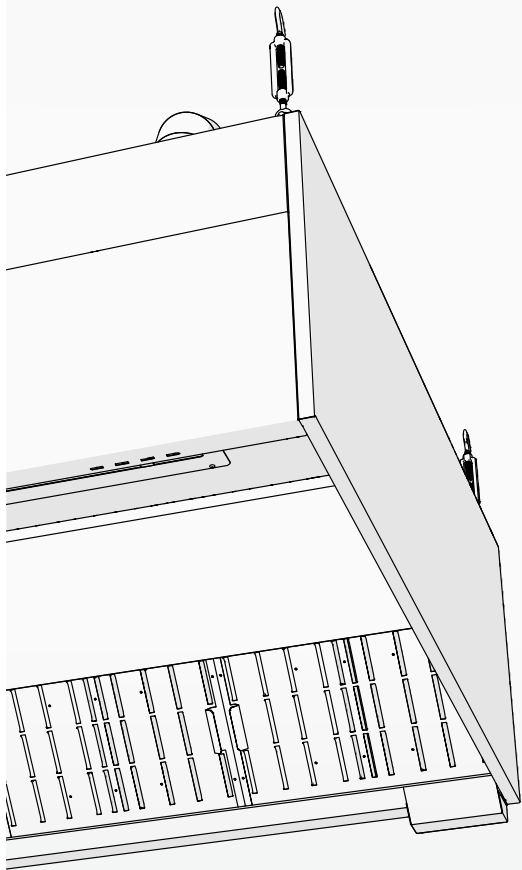
info@etsnord.se
www.etsnord.se

ETS NORD International

info@etsnord.com
www.etsnord.com

ETS NORD Ventilation Manufacturing LLC UAE

Sepin Rayo
sepin.rayo@etsnord.com
+971 5257 02916



Let's move the air together!