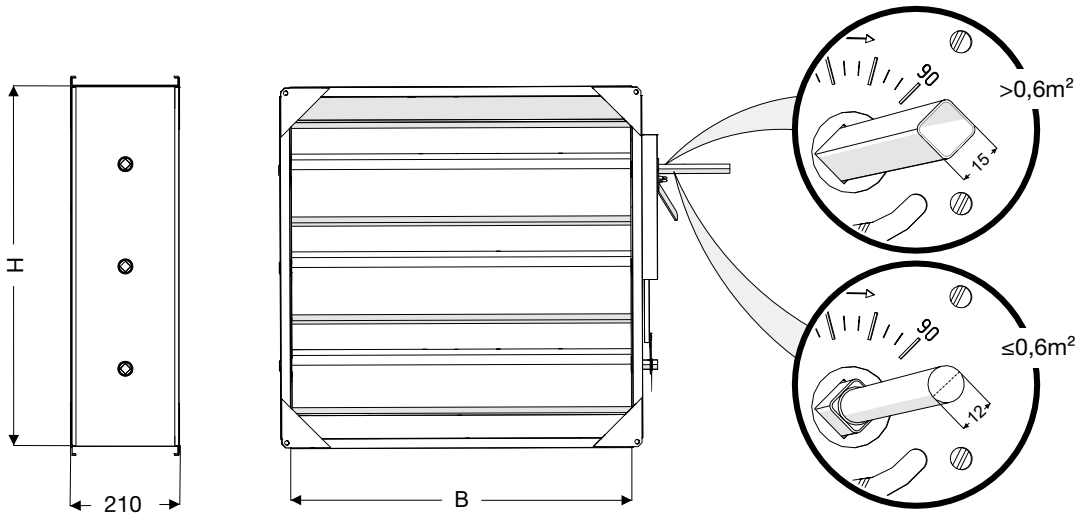


# NORDdamper

KR/KRU Installation and maintenance manual

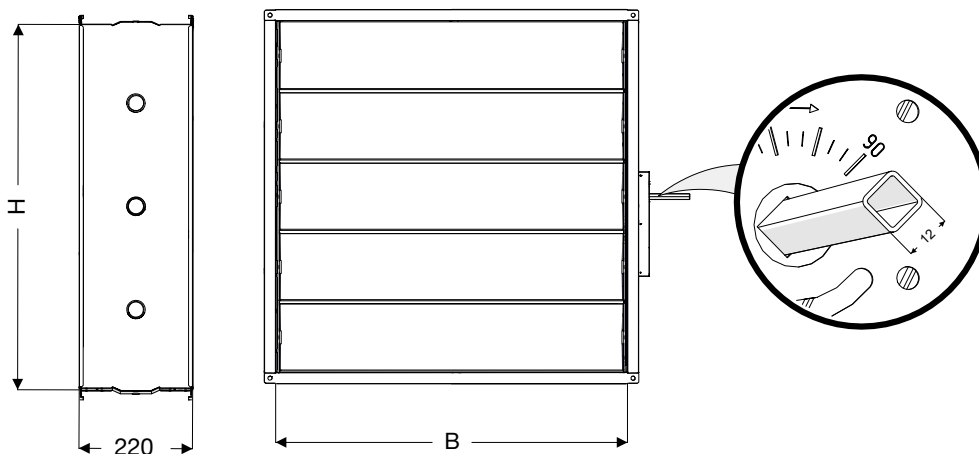
**Installation and maintenance manual**

**KR damper**



Measurements	
Width B	200 mm, ....., 2500 mm
Height H	200 mm, ....., 3000 mm When $H \geq 2000$ mm 2 motor shelves needed.
B x H	Max. 5 m <sup>2</sup> , if face area $>5m^2$ , 2 or more dampers are needed. $>0,6m^2$ is used square lever , $\leq 0,6m^2$ rounded!

**KRU damper**

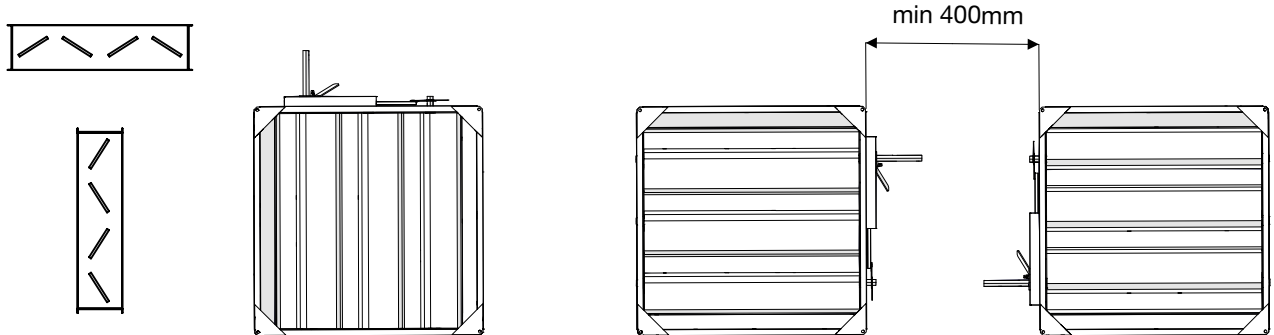


Measurements	
Width B	200 mm, ....., 2500 mm
Height H	200 mm, ....., 2950 mm When $H \geq 2000$ mm 2 motor shelves needed.
B x H	Max. 5 m <sup>2</sup> , if face area $>5m^2$ , 2 or more dampers are needed.

### Damper mounting

The KR and KRU damper can be mounted both horizontally and vertically and the mechanism can be positioned either upwards, downwards and also to the sides.

When using a damper with an actuator, note that there is sufficient space between the damper and any other parts, for example duct or wall, for replacing the actuator.



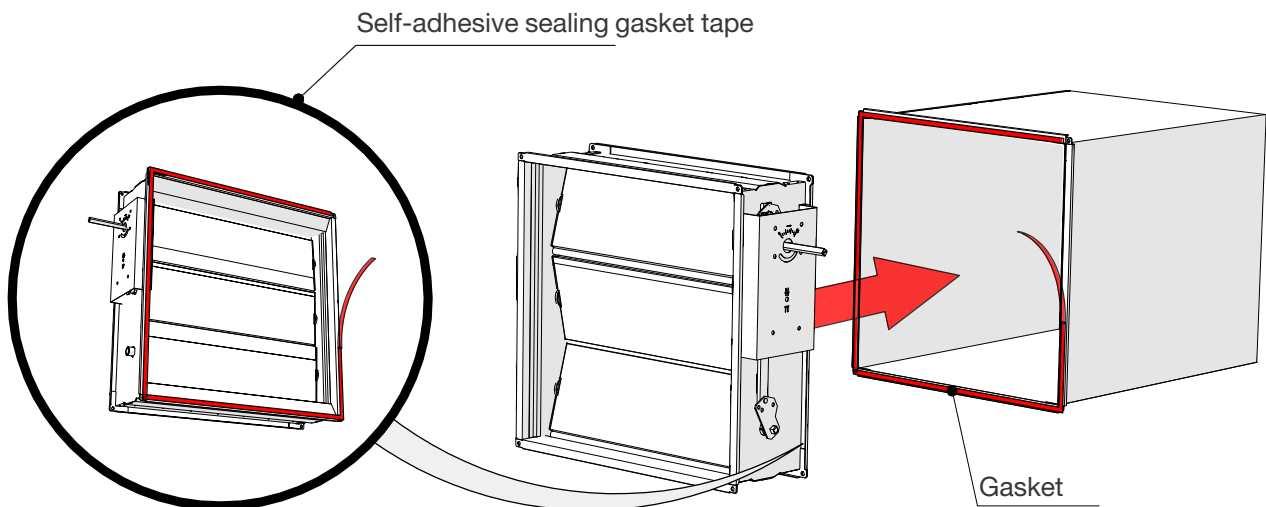
Rectangular regulating dampers are installed to ventilation units or ducts using c-joining profiles.

When installing damper the cross-sectional requirement must be monitored. The deviance of the dampers body is  $\pm 1^\circ$ . Bigger angle deviation can cause the blades to get stuck.



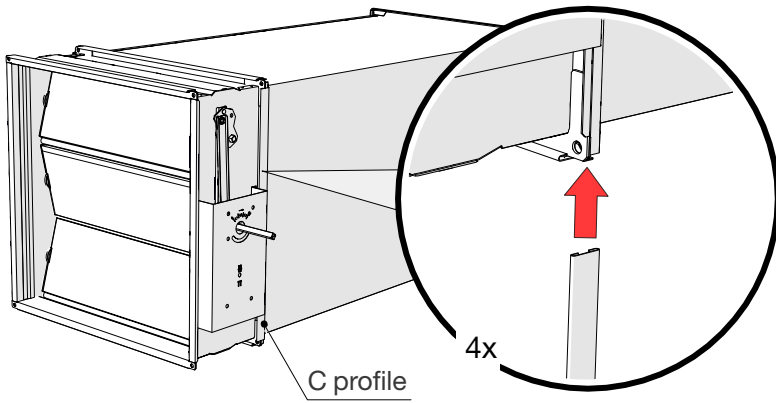
## 1. Damper installation

### 1.1 Gasket installation

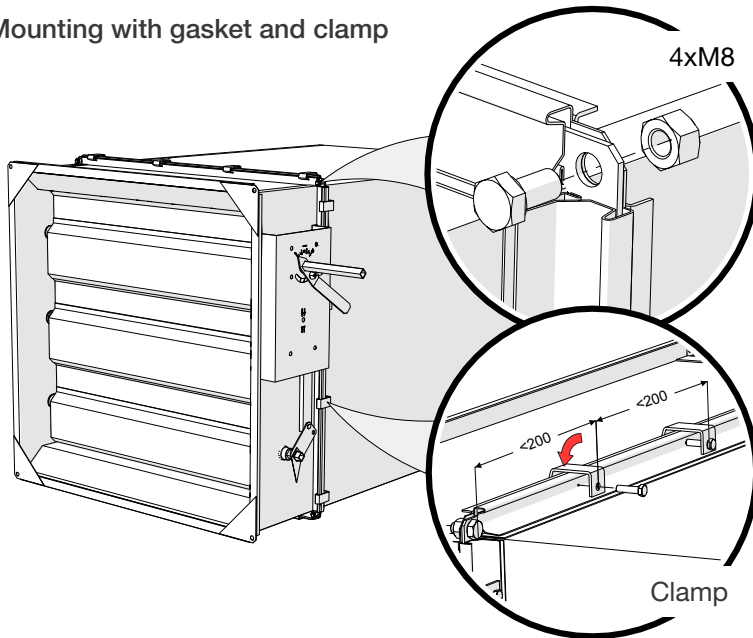


1.2 Damper fixing

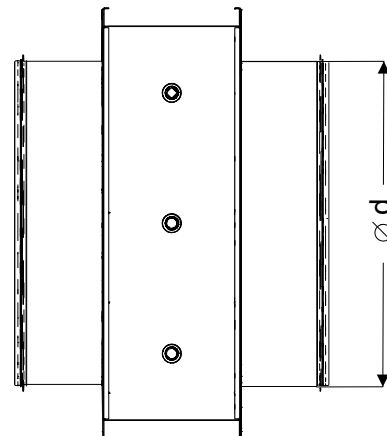
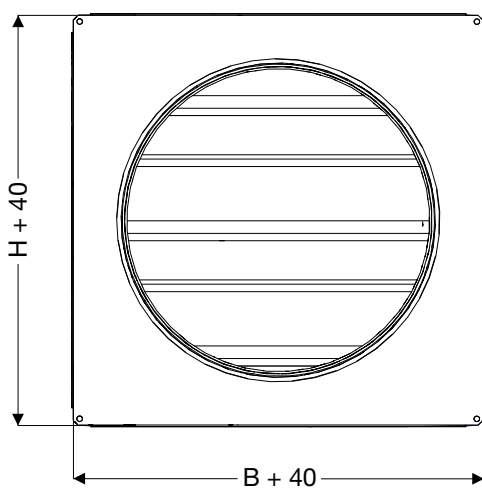
Mounting with C profile



Mounting with gasket and clamp

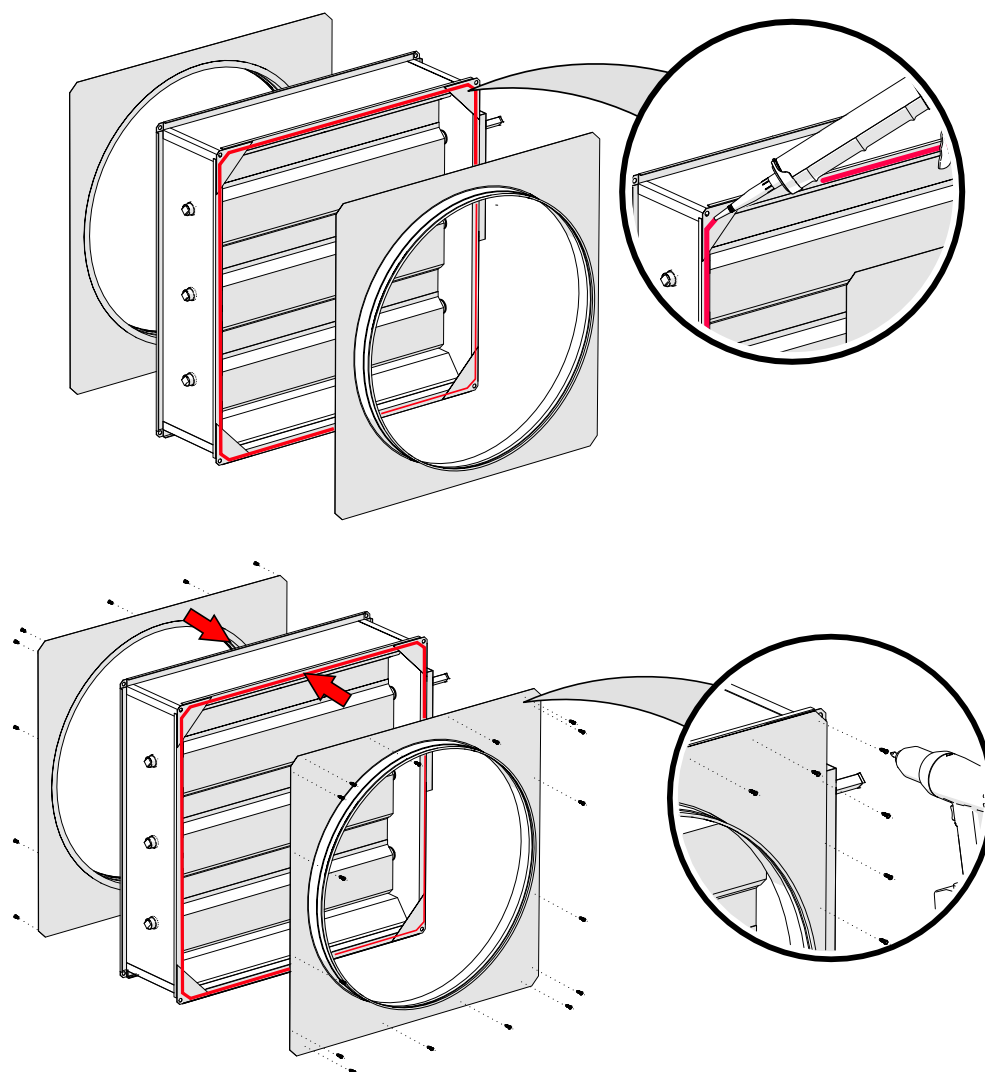


2. Round duct installation

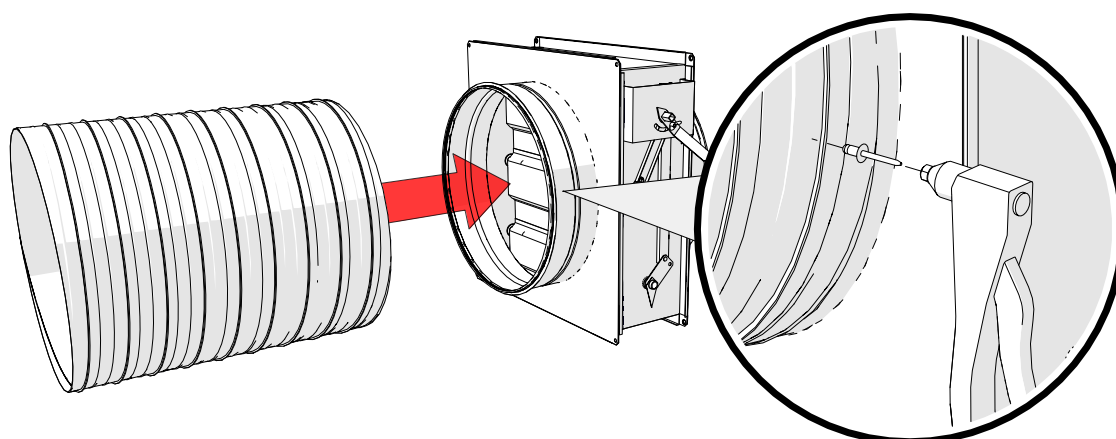


KR, KRU with circular joint

2.1 Installing the KRSP saddle to the damper (optional)



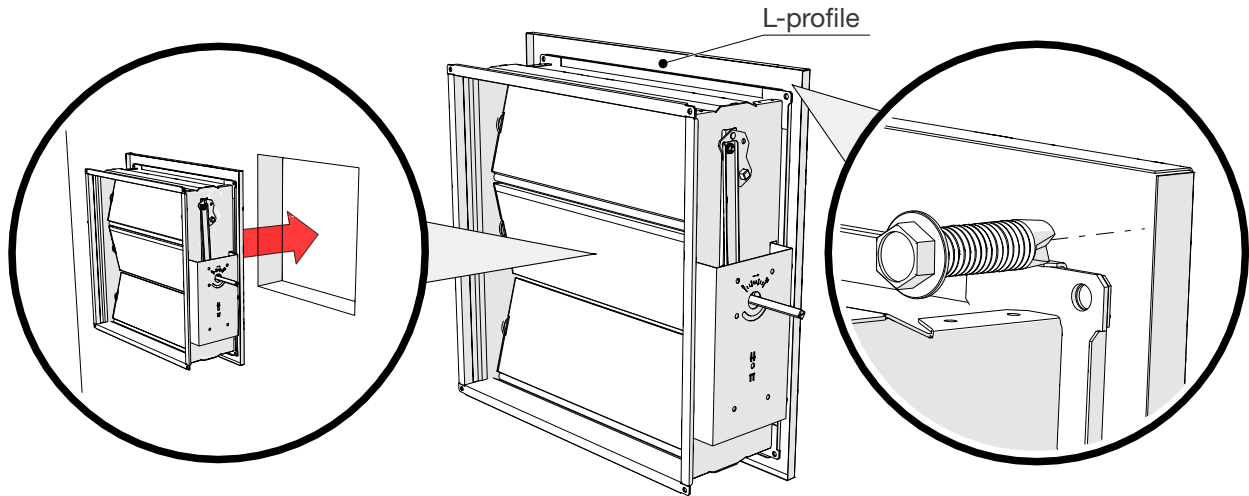
2.2 Installing damper to a round duct



Duct diameter, mm	Number of rivets, pcs
80 – 250	3
315 – 500	4
630 – 1250	8
1600	12

### 3. Wall mounting

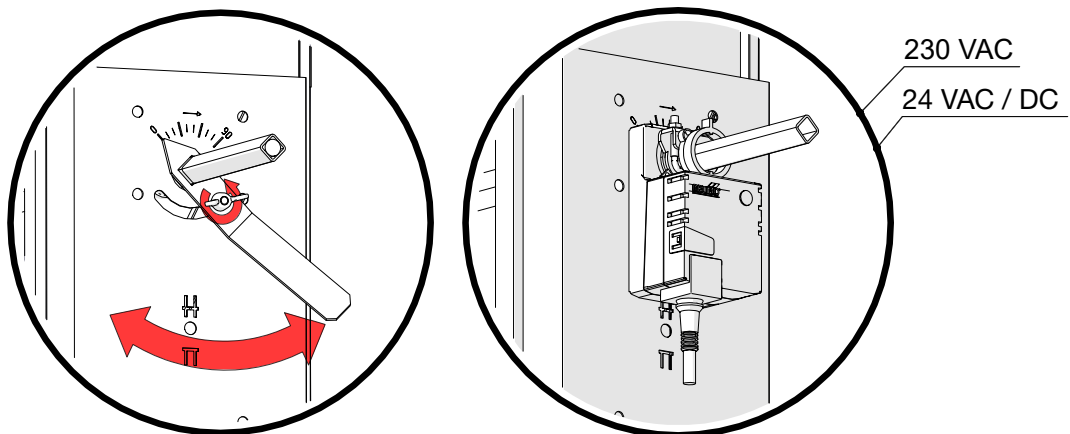
The damper is installed to the wall with the factory-installed L profiles (L profile width 50 mm).



**NB!** For wall mounting select the fixing accessories according to the wall material and damper weight.

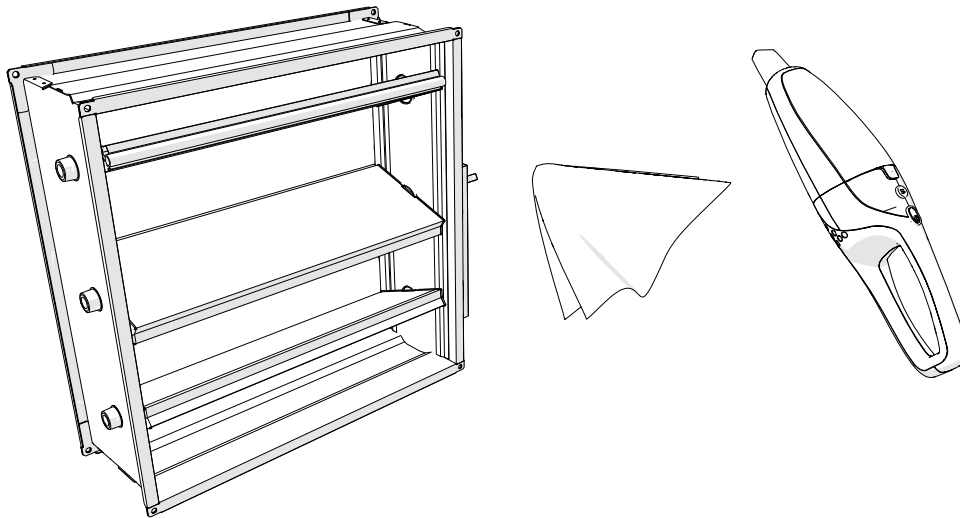
### 4. Regulating damper

The blades can be regulated with the handle or actuator. The regulating method has to be specified in the order.



## 5. Regulation and shut-off dampers maintenance

We recommend cleaning regulation and shut-off dampers regularly with a vacuum cleaner or cloth.



**NB!** Regulation and shut-off damper have moving parts. Careless work can cause injuries.

### In case of damper failure:

1. Check the damper body land lever for damage or rust.
2. Check that damper blades open and close without any restriction and there aren't foreign obstacles restricting blades movement.
3. Check that the blade gaskets are not damaged.
4. Check the actuator motor limit positions and adjust if necessary.
5. Check that actuator is correctly fixed to the motor bed and the shaft.



## ETS NORD AS

Address: Peterburi tee 53  
11415 Tallinn  
Estonia

Phone: +372 680 7360  
info@etsnord.ee  
www.etsnord.ee

## ETS NORD Finland

Address: Pakkasraitti 4  
04360 Tuusula  
Finland

Phone: +358 40 184 2842  
info@etsnord.fi  
www.etsnord.fi

## ETS NORD Sweden

Address: Järsjögatan 7  
692 35 Kumla  
Sweden

Phone: +46 19 554 20 50

Address: Pinjegatan 5  
213 63 Malmö  
Sweden

Phone: +46 40 94 68 70

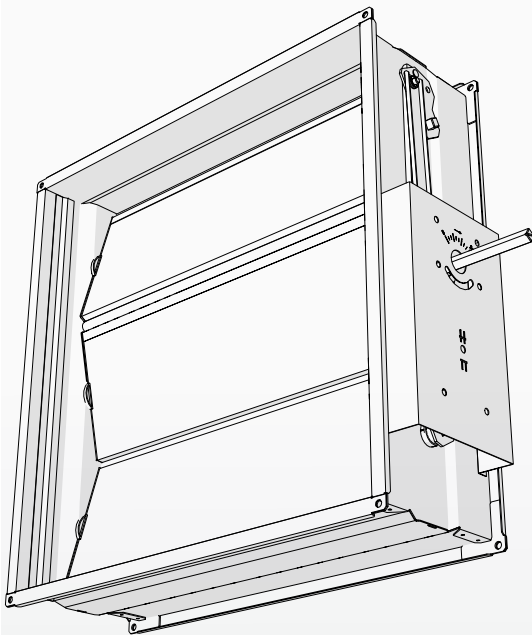
Address: Förrådsvägen 5  
151 58 Södertälje  
Sweden

Phone: +46 8 550 301 40

info@etsnord.se  
www.etsnord.se

## ETS NORD International

info@etsnord.com  
www.etsnord.com



*Let's move the air together!*