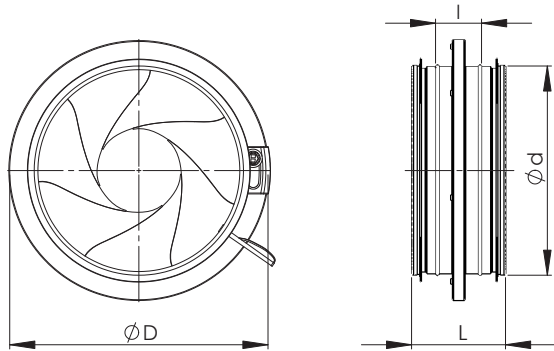
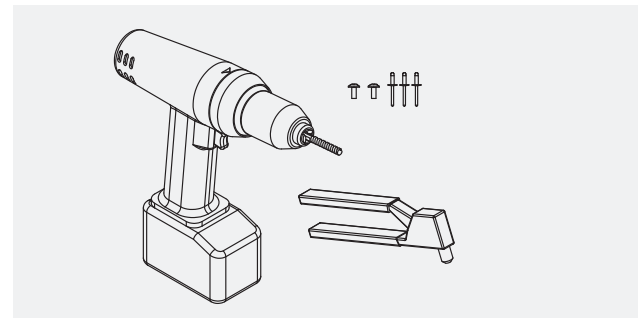


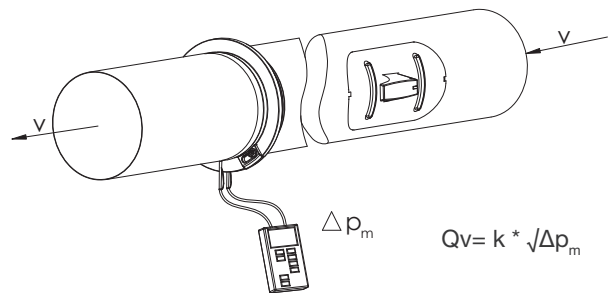
KRI installation



Nominal size Ød (mm)	ØD (mm)	l (mm)	L (mm)	Weight (kg)
KRI 100	160	60	115	0,6
KRI 125	185	60	110	0,7
KRI 160	225	60	115	1,0
KRI 200	280	65	120	1,4
KRI 250	330	75	135	1,9
KRI 315	405	75	135	2,5
KRI 400	525	55	190	6,4
KRI 500	655	70	170	9,6
KRI 630	815	70	170	15,6
KRI 800	1015	70	270	25,0



KRI damper is installed as other parts and secured with rivets. See NORDduct installation instructions. When installing you should be followed the required safety distance and right mounting distance. In the vertical duct system duct must be supported in order to avoid compression of the damper.



The specific situation				
Safety distance, L ±7%	L ≥ 1D	L ≥ 4D	L ≥ 2D	L ≥ 2D

d	K-correction factor							
	1	2	3	4	5	6	7	8
KRI 100	8,30	6,69	5,56	3,95	3,10	2,44	1,70	1,28
KRI 125	13,36	9,21	7,28	5,33	4,07	3,13	1,87	
KRI 160	24,59	17,13	14,75	12,32	9,63	7,68	5,62	4,52
KRI 200	50,06	34,92	25,94	20,38	15,15	11,74	8,69	5,12
KRI 250	71,29	51,58	43,48	34,13	25,96	20,23	15,43	12,04
KRI 315	120,63	70,06	58,67	45,15	37,96	30,98	22,53	17,10
KRI 400	136,92	107,28	92,46	69,22	54,08	40,41	32,29	23,16
KRI 500	232,76	182,76	151,46	118,60	94,41	71,93	55,31	38,02
KRI 630	456,76	313,77	254,76	172,55	130,95	97,35	74,27	56,13
KRI 800	523,64	438,36	368,57	314,43	228,73	177,91	137,23	104,82